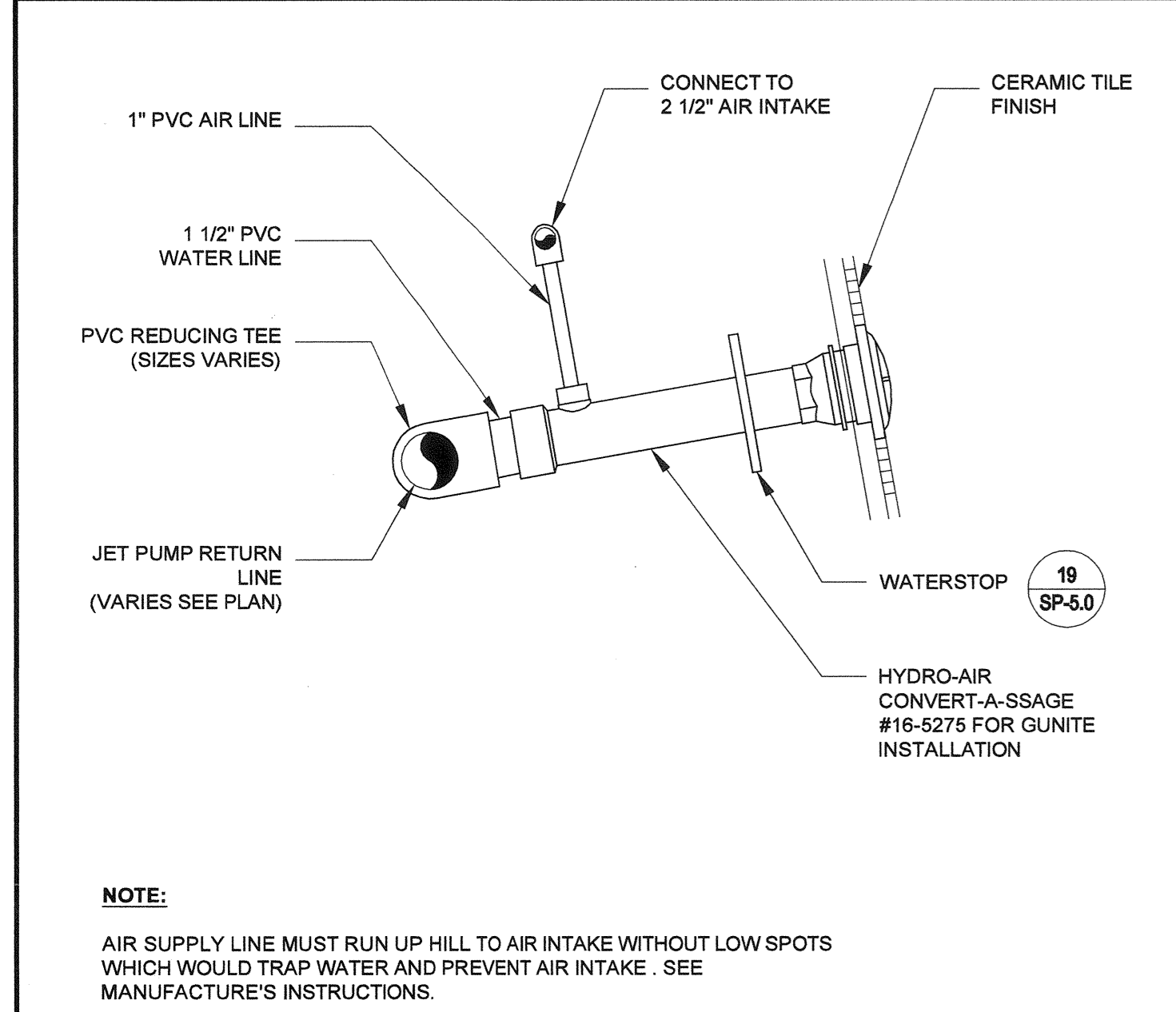
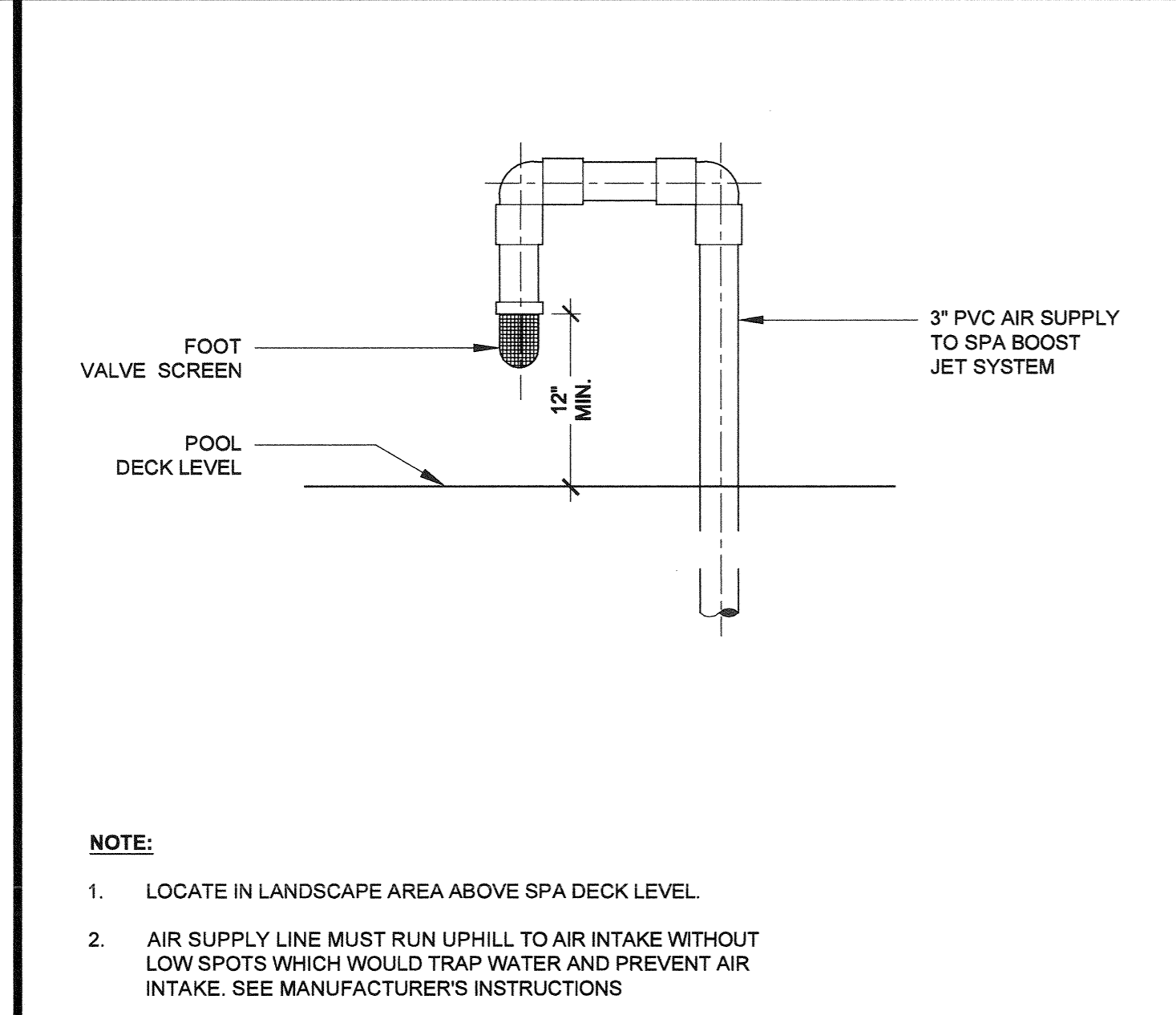


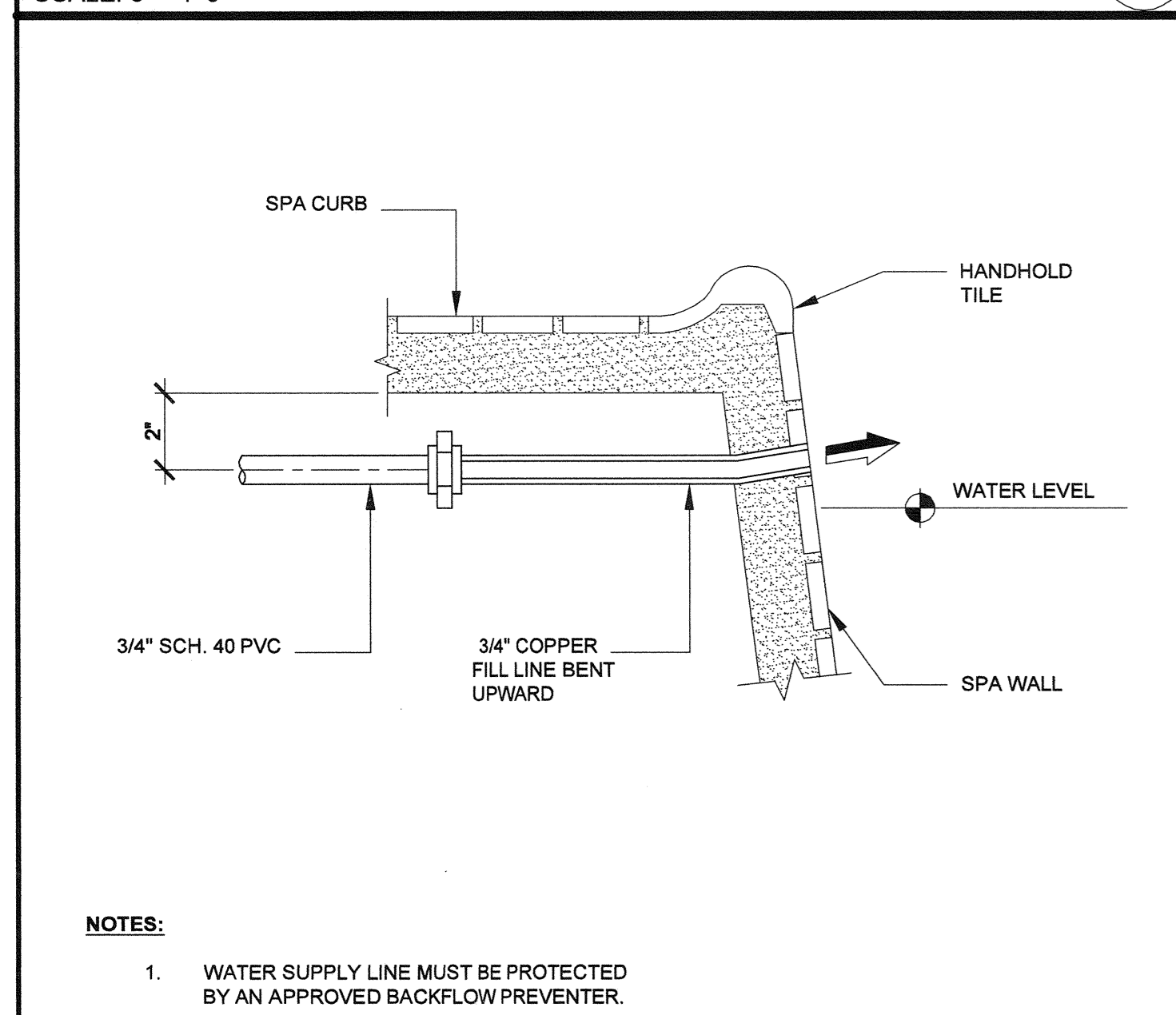
SPA BOOST AIRLINE PLUMBING - SCHEMATIC
SCALE: 3/4" = 1'-0"



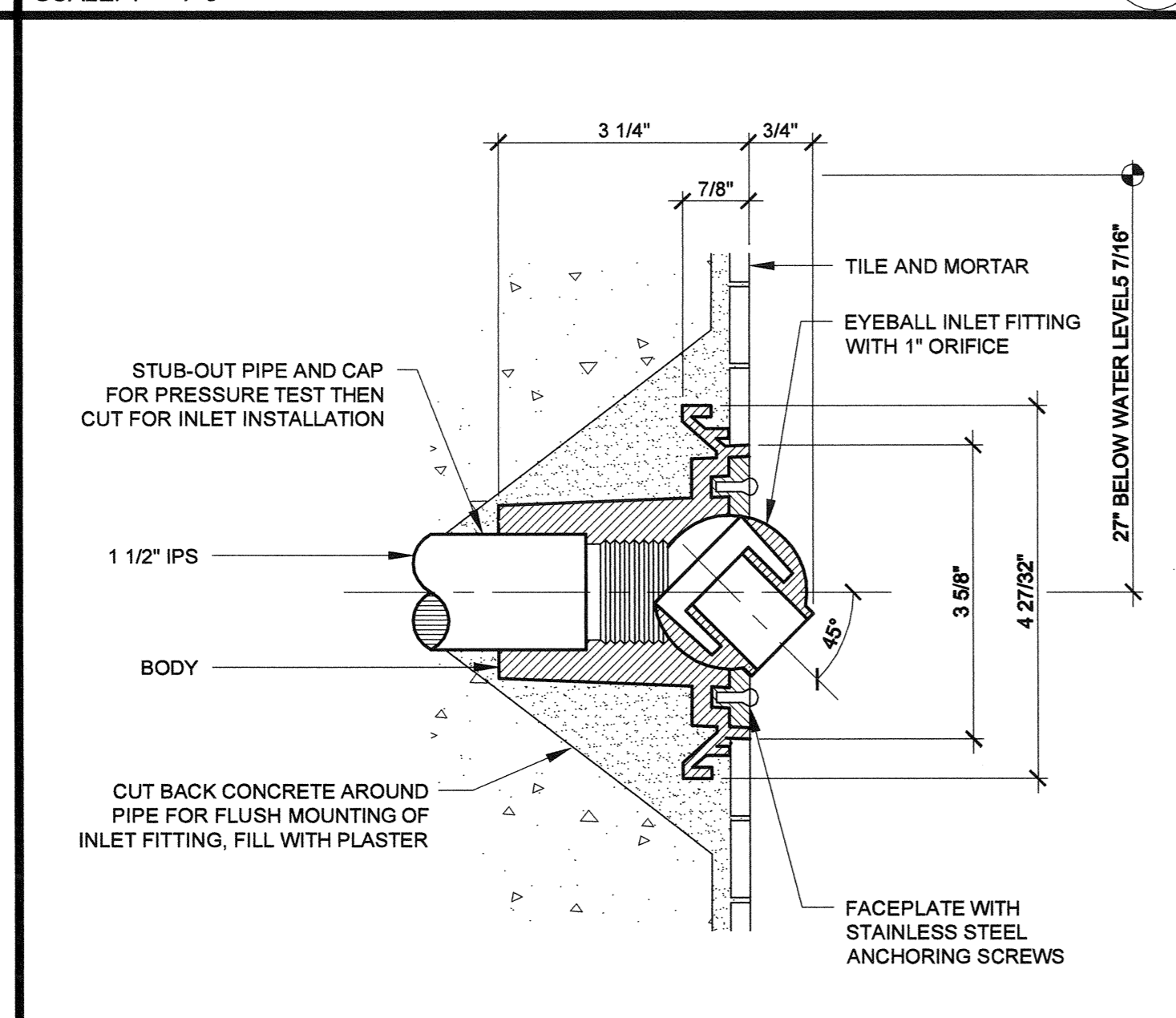
SPA BOOST/CALF JET
SCALE: 3/4" = 1'-0"



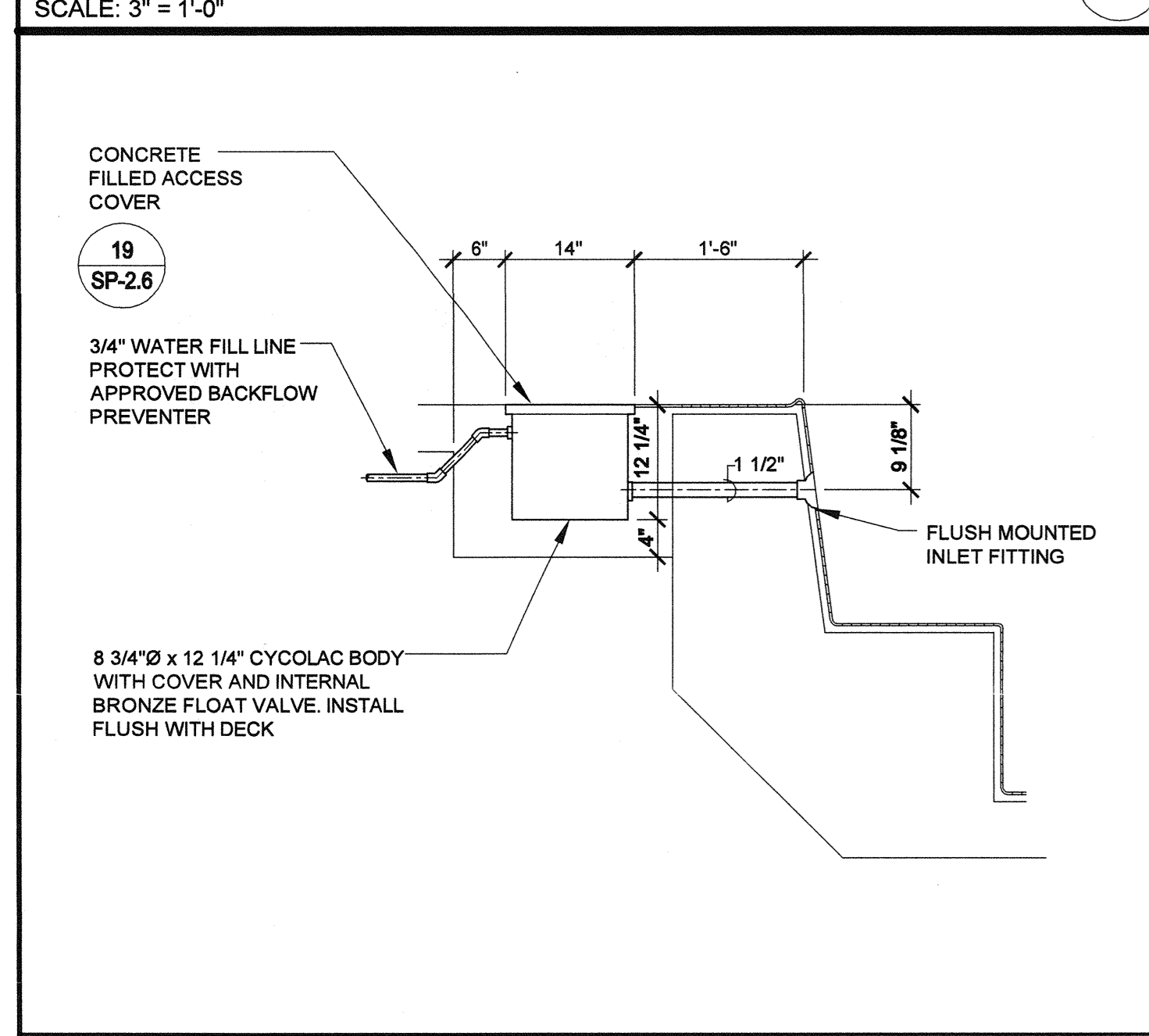
AIR INTAKE VALVE
SCALE: 1" = 1'-0"



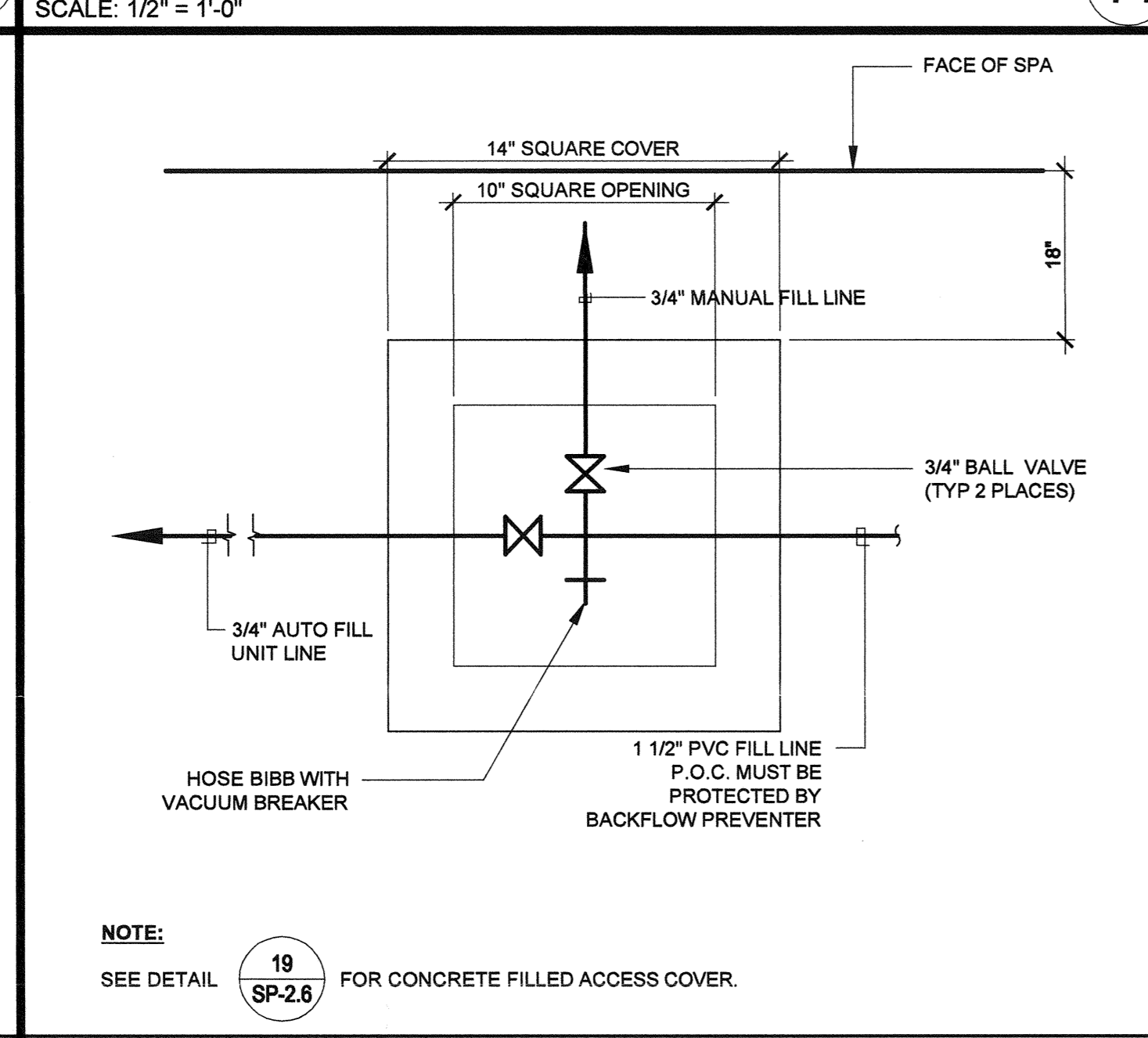
SPA MANUAL FILL LINE
SCALE: 3/4" = 1'-0"



WALL RETURN INLET
SCALE: 1/2" = 1'-0"



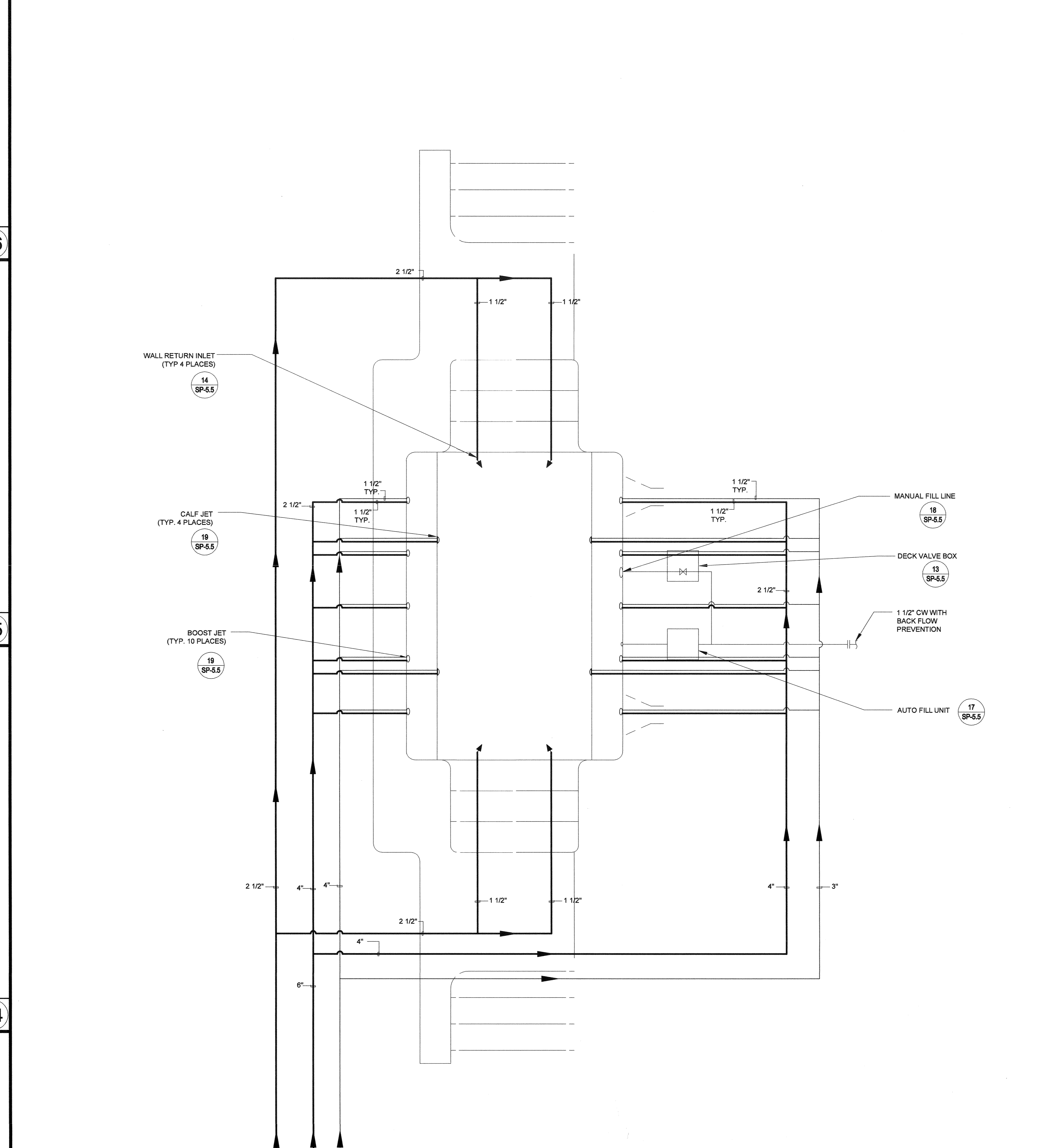
SPA AUTO FILL UNIT
SCALE: 3/4" = 1'-0"



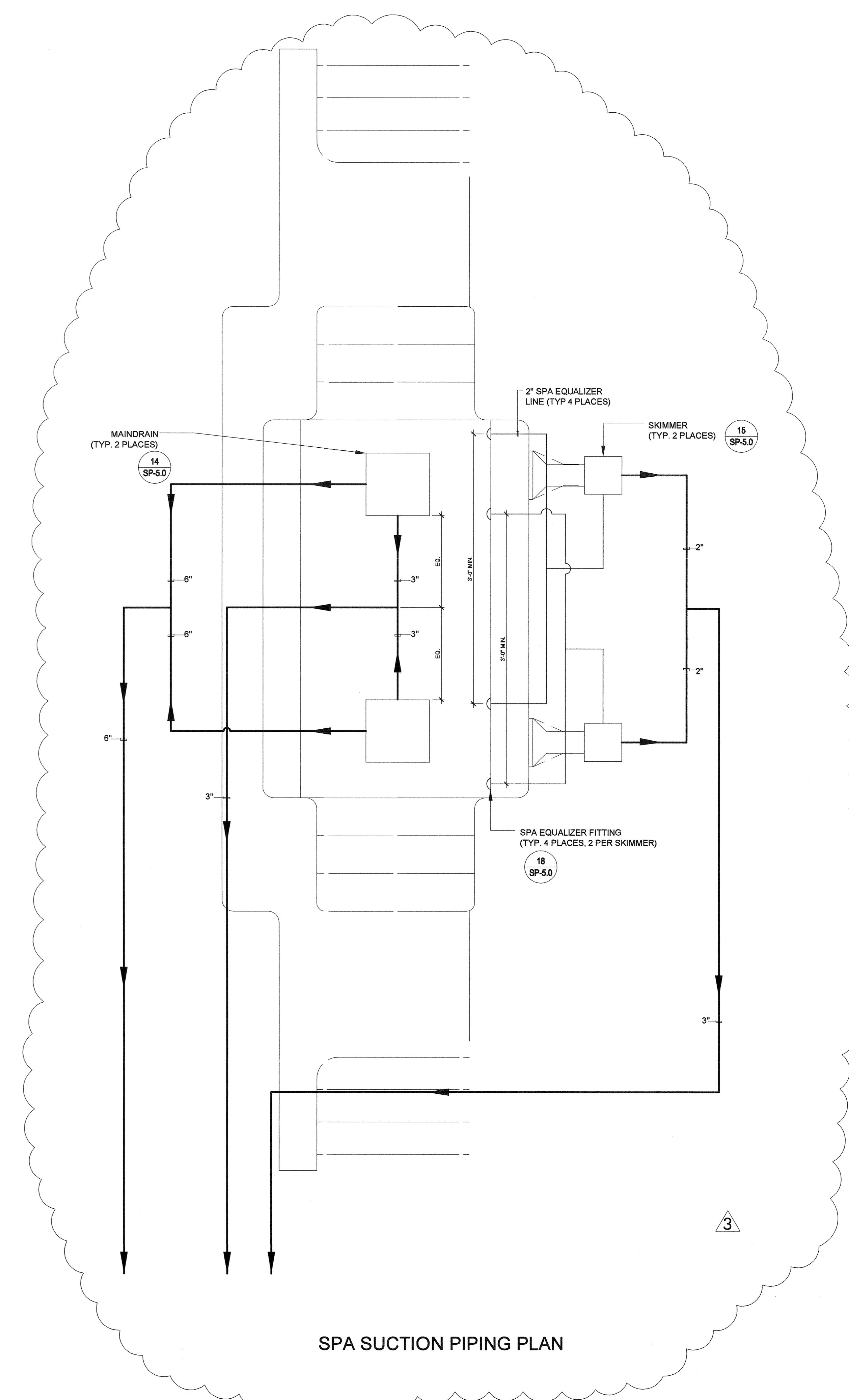
SPA DECK VALVE BOX
SCALE: 3/4" = 1'-0"

NOTES:

- PIPING SHOWN IS IN SCHEMATIC FORM. CONTRACTOR TO VERIFY ACTUAL LOCATIONS OF ALL PIPING RUNS BEFORE THE COMMENCEMENT OF ANY WORK.
- SEE DETAIL 4/SP-5.6 FOR TYPICAL PIPE CONNECTION.
- SEE DETAIL 2/SP-5.5 FOR SPA BOOST AIRLINE PLUMBING - SCHEMATIC.
- SEE DETAIL 3/SP-5.5 FOR AIR INTAKE VALVE.



SPA RETURN PIPING PLAN



SPA SUCTION PIPING PLAN

SPA PIPING PLAN
SCALE: 1/2" = 1'-0"

DATE	07/25/13	REVISED	08/07/14
BY	DL	BY	DL
CHECKED	DL	CHECKED	DL
APPROVED	DL	APPROVED	DL

howard laks architects
1545 W. 10th Street, Suite 100
Santa Monica, CA 90404
Phone: 310-393-4455
Fax: 310-393-2200

Rowley International Inc.
Mechanical Engineering & Consulting
2325 Palms Verde Drive, Suite 100
Palms Verde, California, CA 90274-2225
Phone: 310-393-4455
Fax: 310-393-2200
www.rowleyinternational.com

710 WILSHIRE BOULEVARD
MIXED-USE HOTEL PROJECT
SANTA MONICA - CALIFORNIA 90401
SPA PIPING PLAN / DETAILS

PROFESSIONAL ENGINEER
DATE: JULY 25, 2014
PROJECT NUMBER: HLA 0000000-00000
SHEET: 1