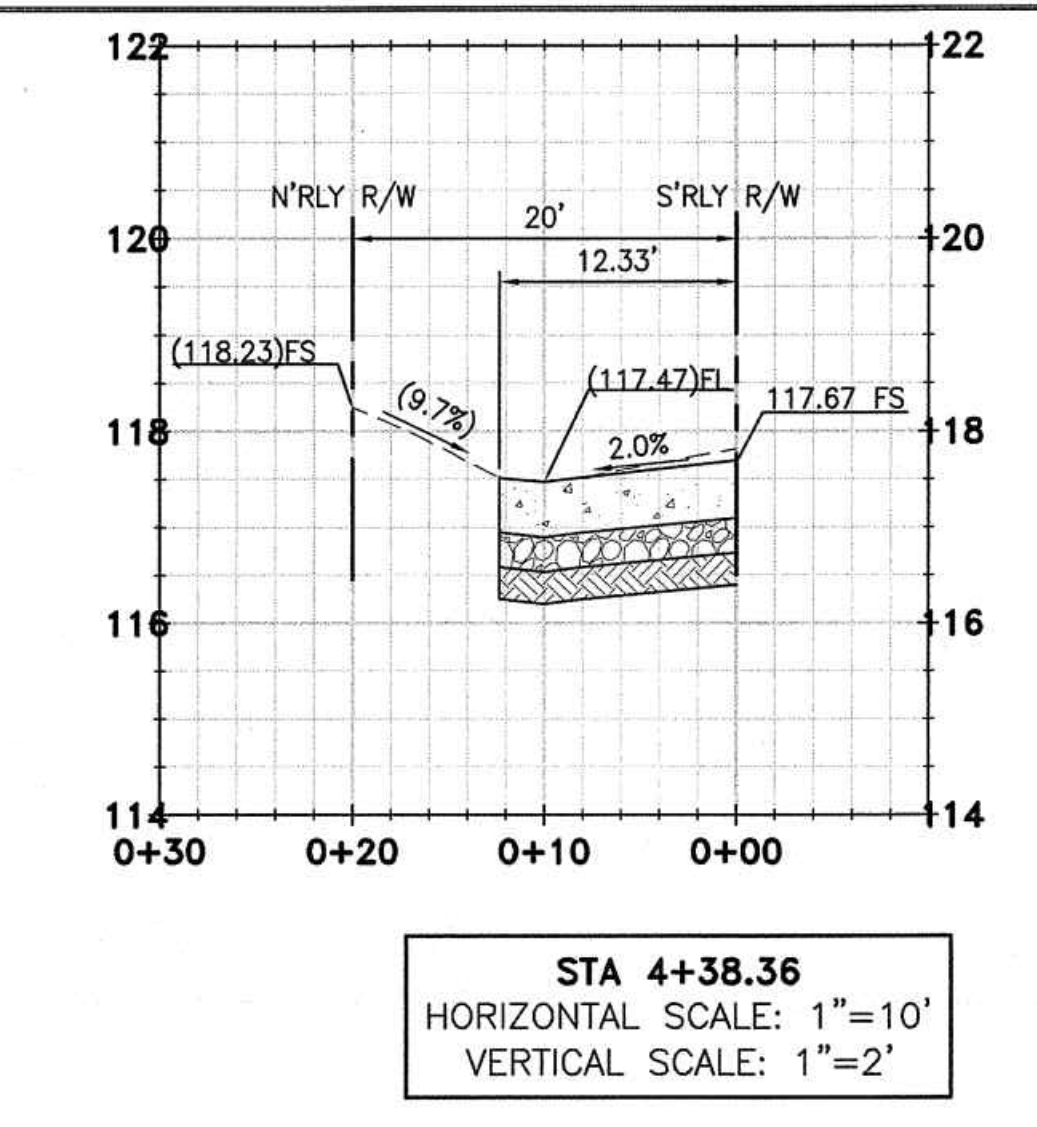
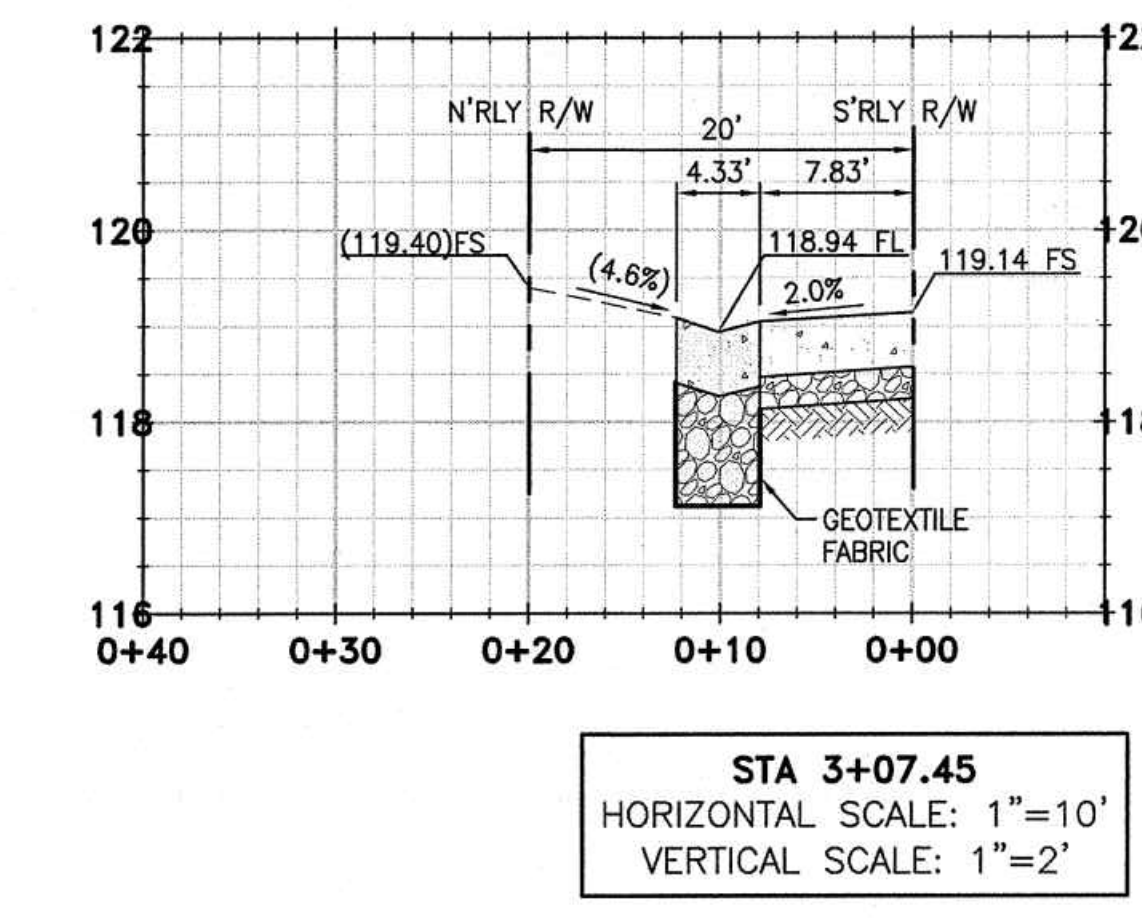
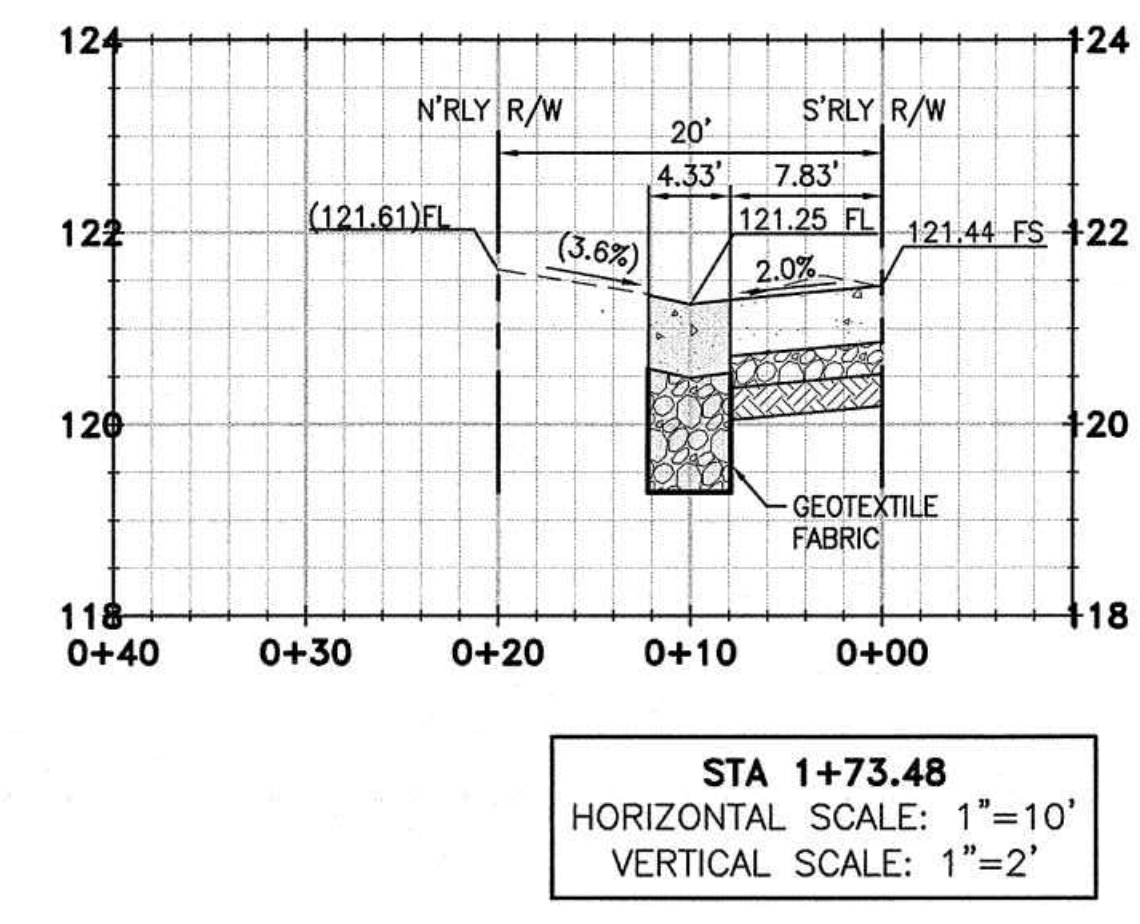


SHEET 2 OF 4
 DWG. NO.: 6772
 DATE: 03-14-14
 TITLE OF PROJECT: 710 WILSHIRE HOTEL RENOVATION



- LEGEND:**
- PERVIOUS CONCRETE GUTTER
(PER CITY OF SANTA MONICA STANDARD PLAN SM18)
 - PORTLAND CEMENT CONCRETE PAVEMENT (CONCRETE CLASS 660-C-4000) t=7"
(PER CITY OF SANTA MONICA STANDARD PLAN SM-3)
 - CRUSHED MISCELLANEOUS BASE
(PER CITY OF SANTA MONICA STANDARD PLAN SM-3)
 - SUBGRADE COMPACTED TO MINIMUM 90% DENSITY
 - 1-1/2" TO 2" DIAMETER ROCK INFILTRATION GALLERY
(PER CITY OF SANTA MONICA STANDARD PLAN SM-18)

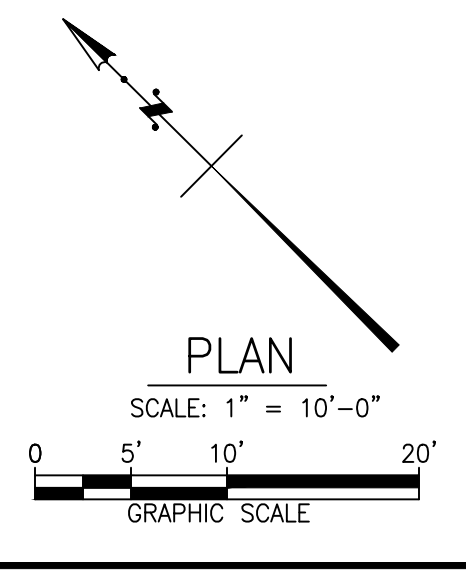
City of Santa Monica
Civil Engineering
 1437 4TH STREET, SUITE 300, SANTA MONICA, CA 90401
 TEL: (310) 458-8721 FAX: (310) 393-4425
 smengineering@santa-monica.org

NO.	DATE	BY	DESCRIPTION	APPROVED

KPH Consulting Engineers
 1000 Wilshire Blvd., Suite 700
 Los Angeles, California 90017
 TEL: (213) 450-1000 FAX: (213) 450-1001

REVIEWED BY: <i>[Signature]</i> DATE: 1-17-2014	REFERENCE: 710 WILSHIRE HOTEL	DESIGNED BY: DJ
REVIEWED BY: _____ DATE: _____	DATE: 3/26/2014 SUBMITTED BY: <i>[Signature]</i>	DRAWN BY: SS
REVIEWED BY: _____ DATE: _____	APPROVED BY: <i>[Signature]</i> DATE: 3-28-2014 U.S. SHAW CIVIL ENGINEER	CHECKED BY: DK
CITY CLIENTS		CONSULTANT JOB NO.: 110229 DATE: 3-14-2014
PROJECT AND SHEET TITLE		DRAWING NO.: 6772 SHEET 2 OF 4

ALLEY IMPROVEMENT PLANS
 AT 710 WILSHIRE BLVD.
TYPICAL ALLEY SECTIONS



ISSUANCE
DATE
DESCRIPTION

hla

howard laks architects

1545 Wilshire Street
Santa Monica, CA 90401

voice : 310-393-4465
fax : 310-393-2230

kpff

6881 Center Dr., Suite 700
Los Angeles, CA 90045
P: 310.965.9075
www.kpff.com

710 WILSHIRE BOULEVARD

MIXED-USE HOTEL PROJECT
SANTA MONICA - CALIFORNIA, 90401

CONSULTANTS

ALLEY IMPROVEMENT PLAN - TYPICAL SECTIONS

DRAWN: SS

CHECKED: SR

APPROVED: RD

SCALE: AS SHOWN

SHEET: C-601

DATE: June 25, 2013

PROJECT NUMBER: HLA 000000-0000