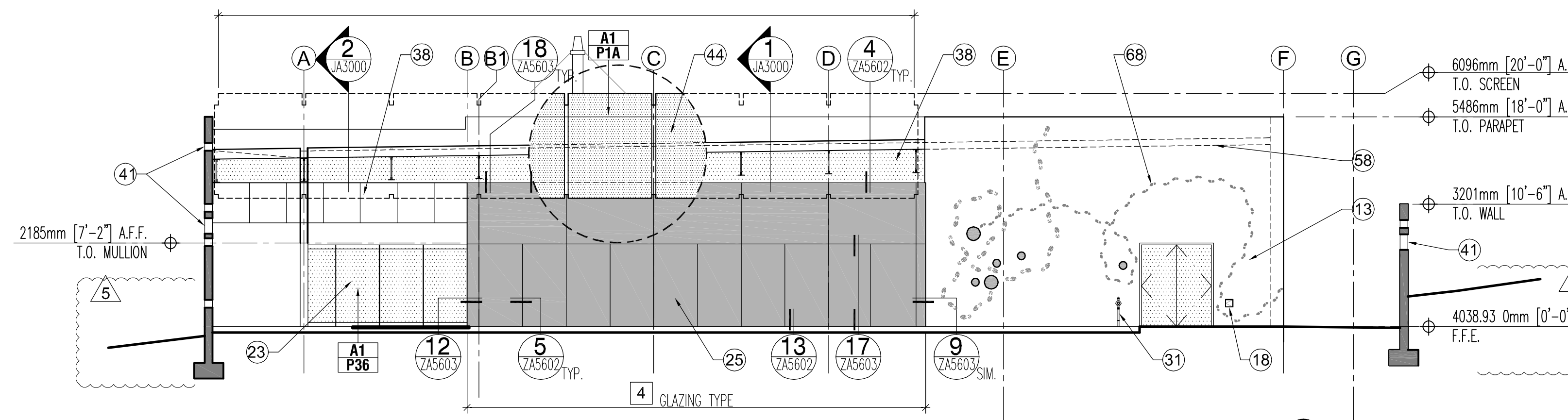
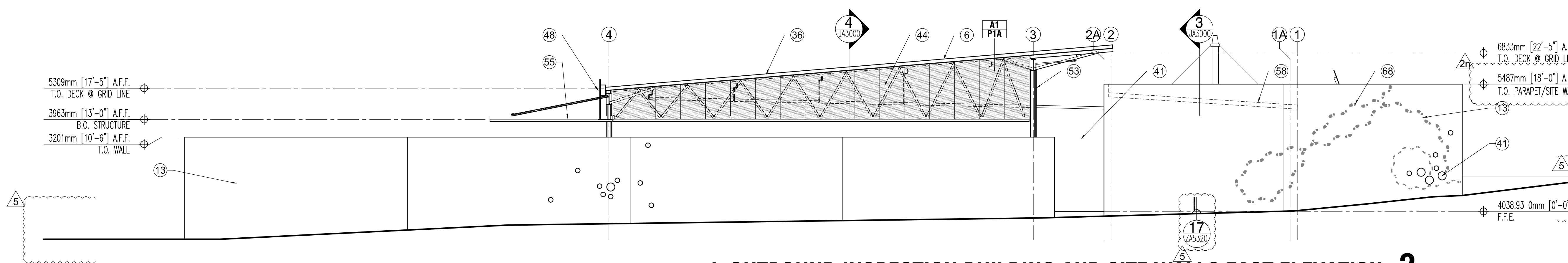


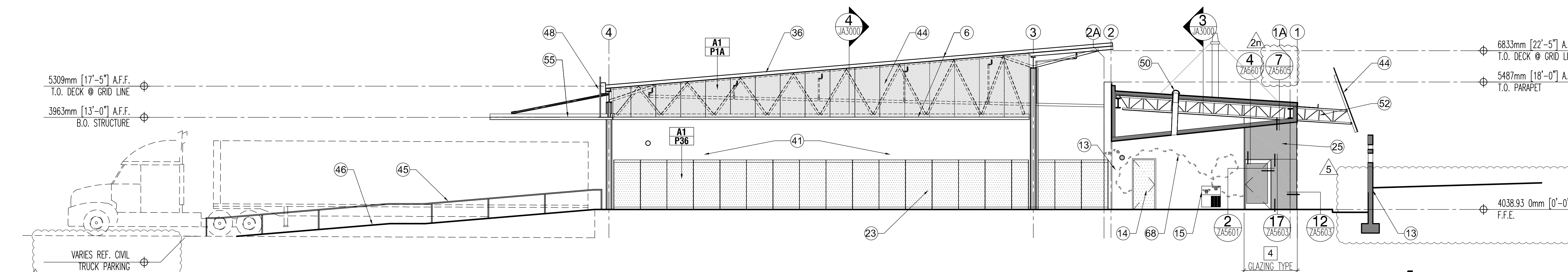
**J. OUTBOUND INSPECTION BUILDING AND SITE WALLS NORTH ELEVATION 1**  
1/8" = 1'-0"



**J. OUTBOUND INSPECTION BUILDING WITH SITE WALLS REMOVED NORTH ELEVATION 2**  
1/8" = 1'-0"



**J. OUTBOUND INSPECTION BUILDING AND SITE WALLS EAST ELEVATION 3**  
1/8" = 1'-0"



**J. OUTBOUND INSPECTION BUILDING WITH SITE WALLS REMOVED EAST ELEVATION 4**  
1/8" = 1'-0"

**GENERAL NOTES**

- AREAS OF BULLET RESISTANT (B.R.) GLAZING & WALL CONSTRUCTION ARE INDICATED ON ELEVATIONS. ALL CONSTRUCTION IN THESE AREAS IS TO BE B.R. FROM 0'-0" F.F.E. TO 6'-6" A.F.F. GLAZING FRAMING SYSTEMS ARE B.R. FROM 0'-0" F.F.E. TO 7'-2" A.F.F.
- REFERENCE SPECIFICATIONS FOR FULL DESCRIPTIONS OF GLAZING TYPES, TYP.
- REF. ARCHITECTURAL ENLARGED SITE PLAN ZAS200 SERIES SHEETS FOR ALL DIMENSIONS & LOCATIONS OF INTERIOR & EXTERIOR CONCRETE SLAB JOINT PATTERNS, DEPRESSIONED SLAB INFO, EXTERIOR CONCRETE WALKWAYS, AND INTERIOR CARPET INFO. REF. CIVIL FOR ALL GUTTERS, ROADWAYS, & CURBS.

**GLAZING TYPES**

- 1A 1/4" SINGLE PANE, CLEAR, TEMPERED
- 1B 3/8" SINGLE PANE, CLEAR, TEMPERED
- 1C 1/2" SINGLE PANE, CLEAR, TEMPERED
- 1D 3/4" SINGLE PANE, CLEAR, TEMPERED
- 2 1/4" SINGLE PANE, TINTED, TEMPERED
- 3A 1/4" LAMINATED, CLEAR
- 3B 1/4" LAMINATED, OBSCURE
- 3C 1/2" LAMINATED, (1/4" TINTED EXT. + 1/4" CLR INT.)
- 3D 1/4" LAMINATED, OBSCURE, TINTED
- 4 1" INSUL., TINTED, LOW-E (1/4" TINTED EXT. + 1/4" CLR INT.)
- 5 13/16" LAMINATED, CLEAR, BULLET RESISTANT
- 6A 13/16" LAMINATED, TINTED, BULLET RESISTANT
- 6B 13/16" LAMINATED, OBSCURE, TINTED, BULLET RESISTANT
- 7 1-9/16" LAMINATED, TINTED, INSUL., BULLET RESISTANT
- 8 13/16" LAMINATED, TINTED, TEMPERED
- 9 1-1/16" LAMINATED, TINTED, TEMPERED
- 10 1-11/16" LAMINATED, TINTED, TEMPERED, INSULATED

**KEY NOTES**

- ALIGN
- BAFFLE CEILING SYSTEM, REF. 6/ZAS540
- S.S. CABLE TRELLIS 10'-0" MAX. ABOVE FIN. GRADE
- PV SYSTEM
- BOLLARD
- CANOPY
- CAST IN PLACE CONCRETE WALL
- FOR INFORMATION THIS AREA REF. ARCHITECTURAL ENLARGED SITE PLAN SHEET ZAS200
- CATWALK, METAL GRATE
- SECURITY CAGE
- BOOTH, REF. ENLARGED BOOTH DRAWINGS
- CONCRETE MASONRY UNIT WALL (CMU)
- CONCRETE TILT UP WALL, TEXTURED, REF. PLANS FOR TYPE
- DOOR AS SCHEDULED
- DRINKING FOUNTAIN, REF. PLUMBING, COORD. OPENINGS IN WALL W/ EDF MFR WHERE OCCUR
- ELECTRICAL EQUIPMENT, REF. ELECTRICAL
- EMERGENCY SHOWER/ EYEWASH, REF. PLUMBING
- HOSE BIBB CABINET, REF. 18/ZAS320 & PLUMBING
- NOT USED
- FIRE PROTECTION EQUIPMENT, REF. FIRE PROTECTION
- PLUMBING, REF. PLUMBING
- FURNITURE/ EQUIPMENT SHOWN DASHED, N.I.C.
- FENCING, REF. ARCHITECTURAL ENLARGED SITE PLAN SHEET ZAS200
- GATE, REF. ZAS200 SERIES SHEETS & GATE SCHEDULE
- GLAZING FRAMING SYSTEM, PAINT STEEL FRAMES P37
- GLAZING BARRIER WALL
- FOR INFORMATION THIS AREA REF. ENLARGED LANDSCAPE DWG.
- GYPSUM BOARD, REF. FINISH SCHEDULE
- HVAC DIFFUSER, REF. MECHANICAL
- HVAC DUCT, REF. MECHANICAL
- GAS REGULATOR, REF. PLUMBING
- INSPECTION EQUIPMENT, N.I.C., REF. SPECIAL EQUIP. PLANS
- JOINT
- LIGHT FIXTURE, REF. ELECTRICAL
- MECHANICAL EQUIPMENT, REF. MECHANICAL
- FOAM ROOFING SYSTEM
- H.M. INFILL PANEL @ GL. FRAMING SYST, INSULATED, PAINT P37 - BULLET RESISTANT AS SHOWN
- METAL CLADDING SYSTEM - TYPE D, 'PITTSBURGH' SEAM
- MILLWORK, REF. FLOOR PLANS & INTERIOR ELEV.
- DOG REST, REF. DETAIL 1/ZAS530
- OPEN/ OPENING
- PARAPET
- PARTITION WALL
- PERF. PANEL o/ RUST FINISH STL. FRAMING, REF. SPECIFICATIONS FOR PANEL TYPE & SCHEDULE FOR COLOR
- RAILING/ GUARDRAIL
- RAMP
- CIRCLE OPENING SCUPPER
- SCUPPER/ GUTTER, STEEL PLATE, RUST FINISH
- SCUPPER CRASH PLATE, RUST FINISH
- SKYLIGHT, REF. RCP & ROOF PLAN FOR ADDITIONAL INFO
- STAIRS
- STEEL BEAM/ JOIST/ TRUSS, RUST FINISH, REF. STRUCT.
- STEEL COLUMN, RUST FINISH, REF. STRUCTURAL
- SIGNAGE
- TUBE STEEL OPEN TRELLIS / LATTICE, RUST FINISH
- SITE WALL, REF. ARCH. ENLARGED SITE PLAN SHEET ZAS200
- WALL/ BUILDING BEYOND
- BUILDING/ WALL/ ROOF SHOWN DASHED FOR REFERENCE
- TURNSTILE - TYPE 3 (FULL HT.) REF. SPECIAL EQUIP. PLANS
- OVERLAPPING BENT PLATE, RUST FINISH
- CONCRETE EQUIPMENT TRENCH REF. TRENCH DWGS.
- TRUCK DOCK BUMPER, REF. SPECIAL EQUIP. PLANS
- TRUCK DOCK LEVELER, REF. SPECIAL EQUIP. PLANS
- WIRE FACED MSE WALL/ GABION BASKET WALL
- BORDER FENCE - N.I.C.
- ENCLOSED WALKWAY, REF. ARCHITECTURAL ENLARGED SITE PLAN SHEET ZAS200
- ELECTRIC FORKLIFT CHARGER, N.I.C., REF. SPECIAL EQUIP. PLANS
- SANDBLASTED SHOE PRINT PATTERN, REF. ARCH. PANEL ELEV.

**SECTION / ELEV LEGEND**

- CIRCULAR "PUNCH" WINDOWS - REF. ARCH. CONCRETE PANEL ELEVATIONS A2100 SERIES DRAWINGS FOR WINDOW SIZE, LOCATION & TYPE
- CIRCULAR OPENING - REF. ARCH. CONCRETE PANEL ELEVATIONS A2100 SERIES DRAWINGS FOR OPENING SIZE, LOCATION & TYPE
- PERFORATED METAL PANEL TYPE - REF. SPECIFICATION SECTION 07 40 00
- PERFORATED METAL COLOR, REF. ROOM FINISH SCHEDULE
- BULLET RESISTANT ITEM
- CONCRETE MASONRY UNIT WALL
- METAL CLADDING SYSTEM - TYPE D
- GLAZING
- PAINTED METAL DOOR / INSULATED INFILL PANEL AS OCCURS
- GYPSUM BOARD WALL
- PERFORATED METAL PANEL

CERTIFICATIONS

KEY PLAN

REVISION NOTES

ADDENDUM DELTA TYPES

MARK	DATE	DESCRIPTION
▲	02/07/10	ADDENDUM #1
▲	02/12/10	ADDENDUM #2
▲	02/18/10	ADDENDUM #3
▲	06/28/10	DESIGN CLARIFICATIONS



CONTRACTORS

BUILDING

PROJECT

DRAWING

NO.

DISC.

TYPE

SHEET NO.

DRAWING TITLE	J. OUTBOUND INSPECTION ELEVATIONS
FILE NAME	J-A2000-NAZ0001.DWG
FLOOR NO.	01
DRAWN BY	DATE DRAFTED: 01/03/2010
CHECKED BY	SHEET SIZE: 30 X 42
DRAWING NO.	J A 2000
	PACKAGE   DISC.   TYPE   SHEET NO.

FOR CONSTRUCTION