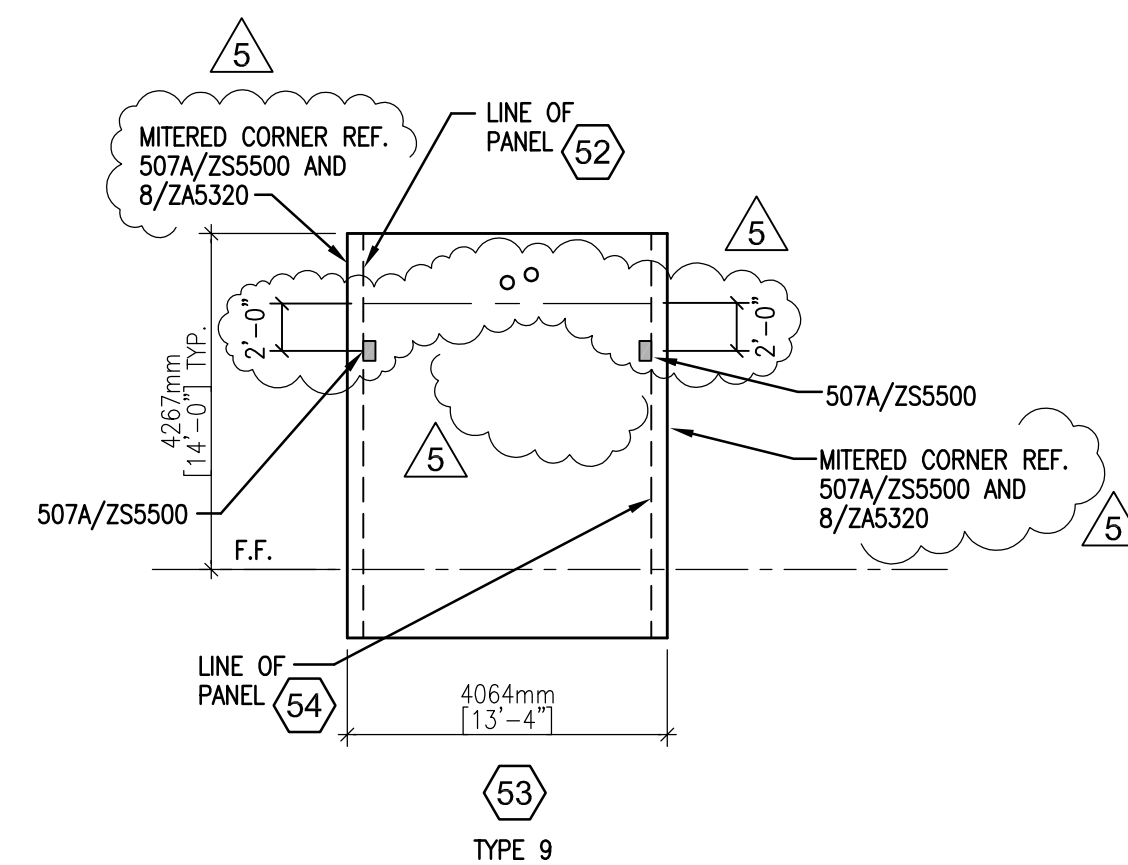
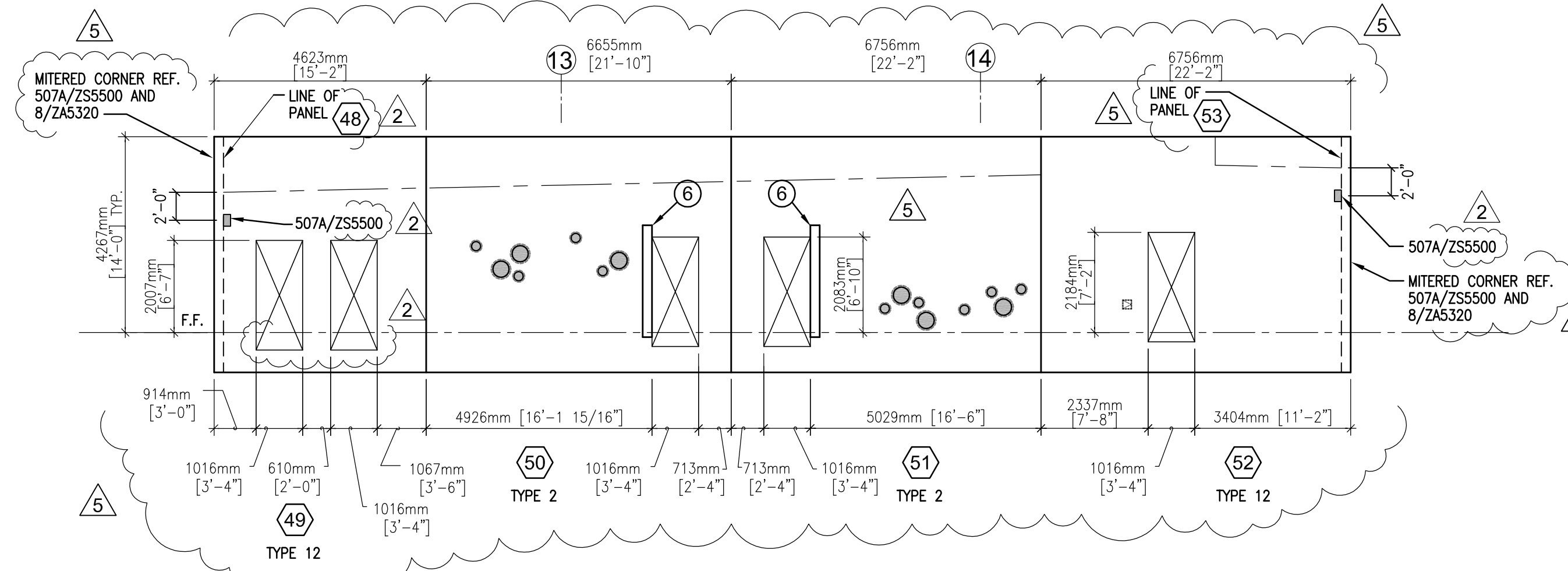


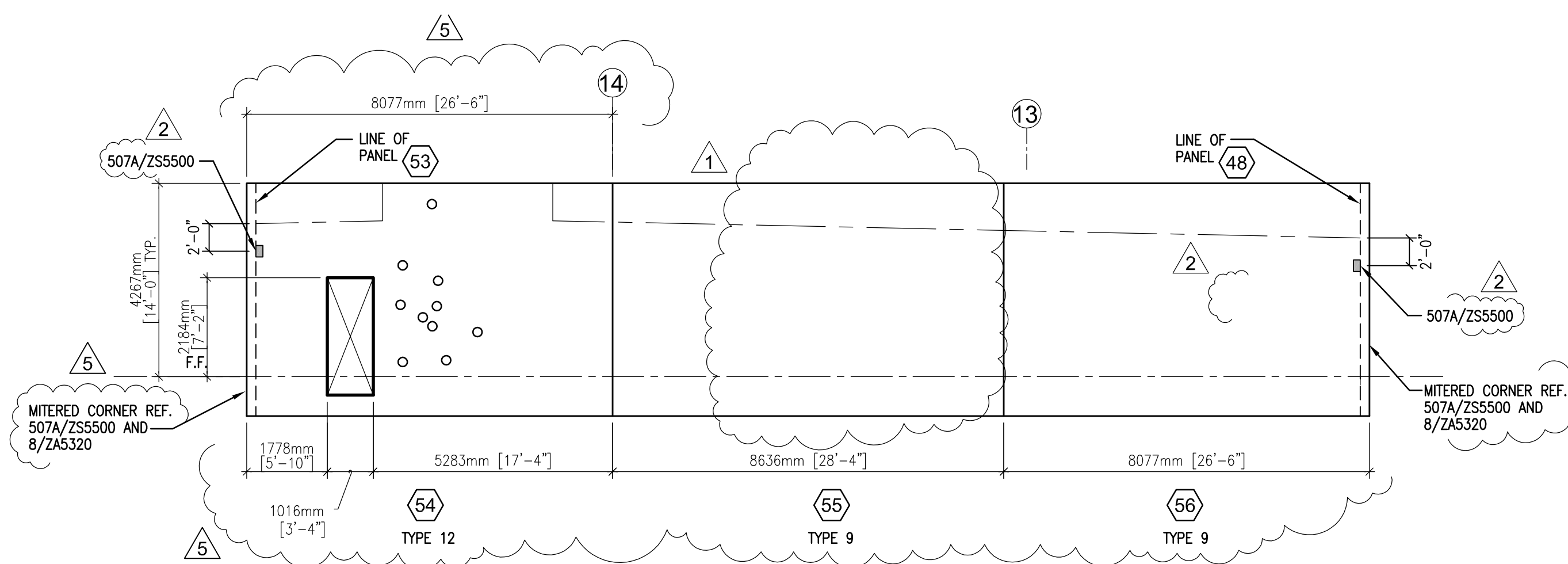
A. BATHROOM BUILDING NORTH ELEVATION 1
1/8" = 1'-0"



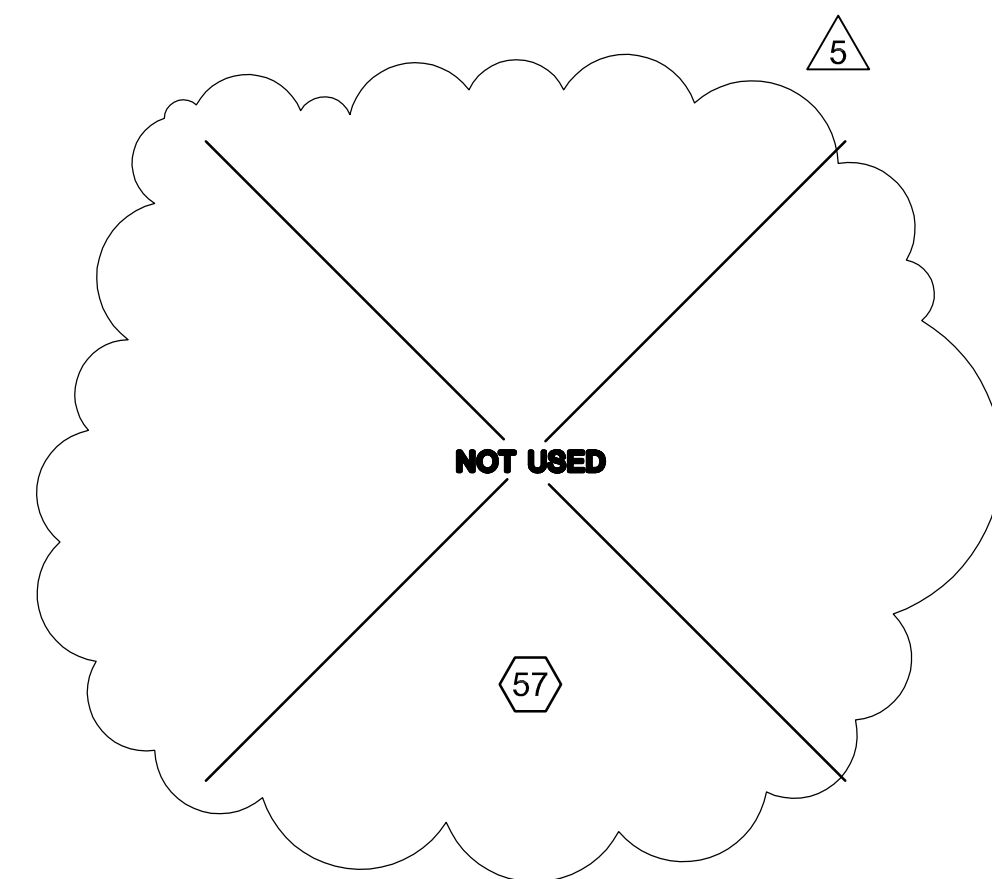
A. BATHROOM BUILDING SOUTH ELEVATION 3
1/8" = 1'-0"



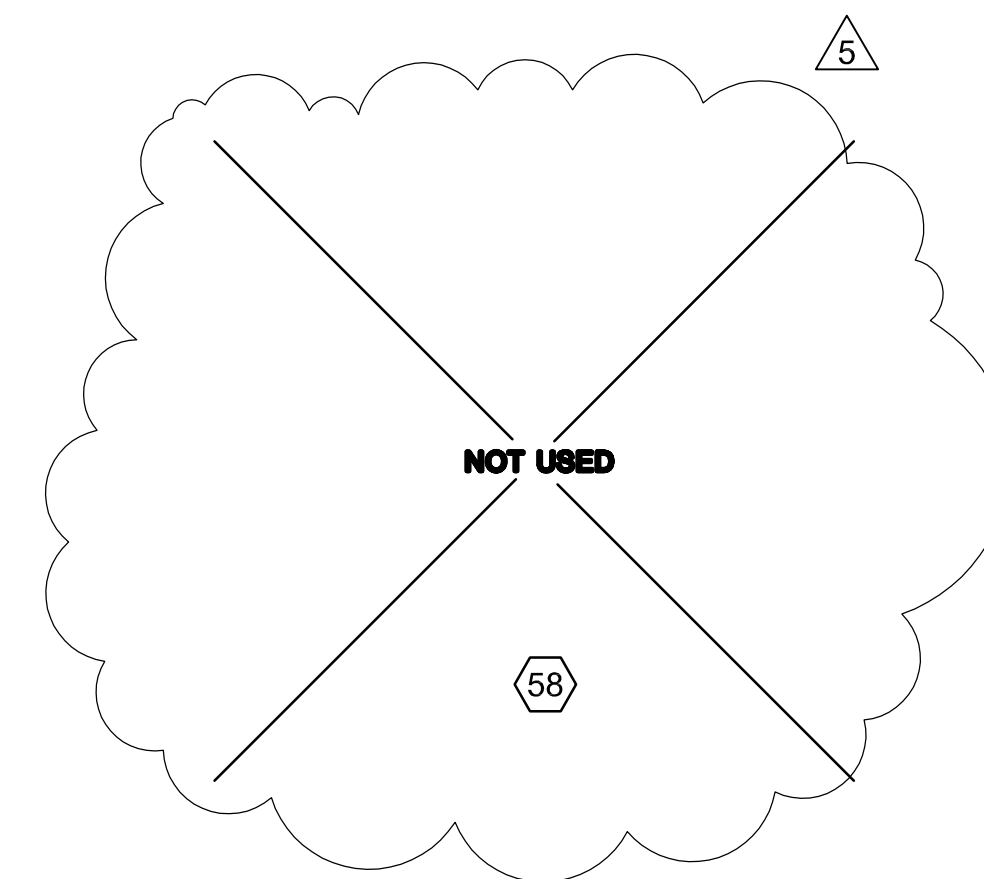
A. BATHROOM BUILDING EAST ELEVATION 2
1/8" = 1'-0"



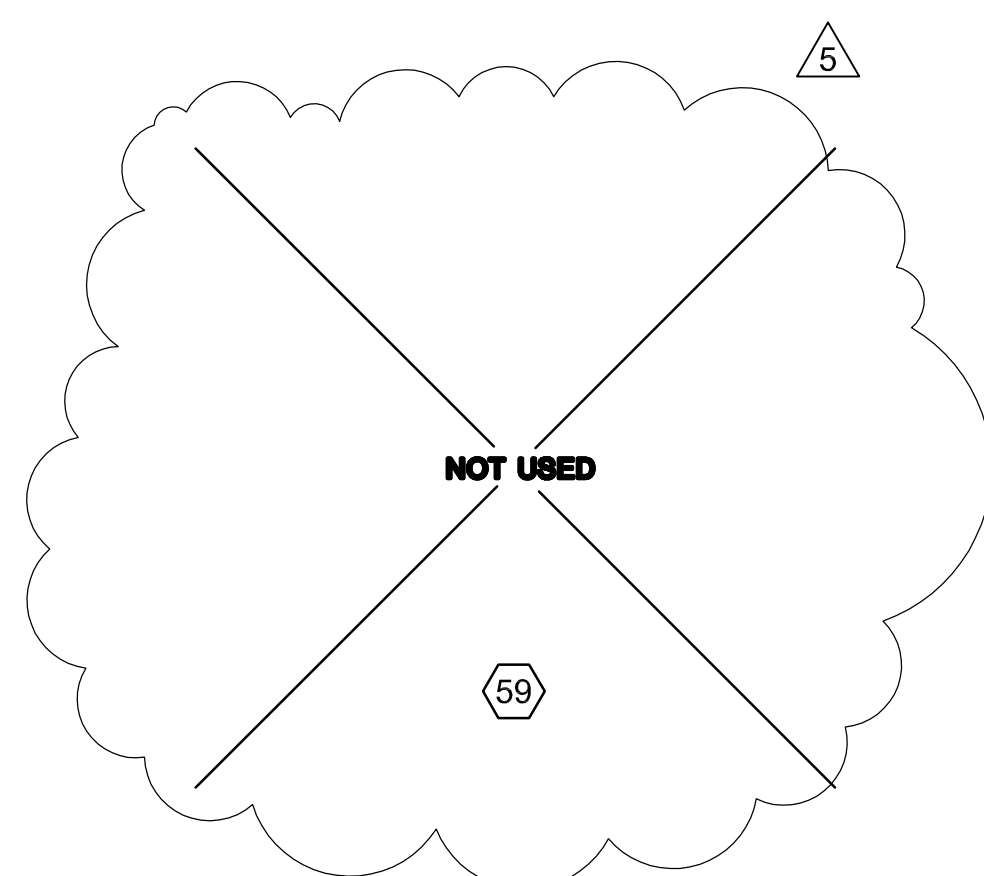
A. BATHROOM BUILDING WEST ELEVATION 4
1/8" = 1'-0"



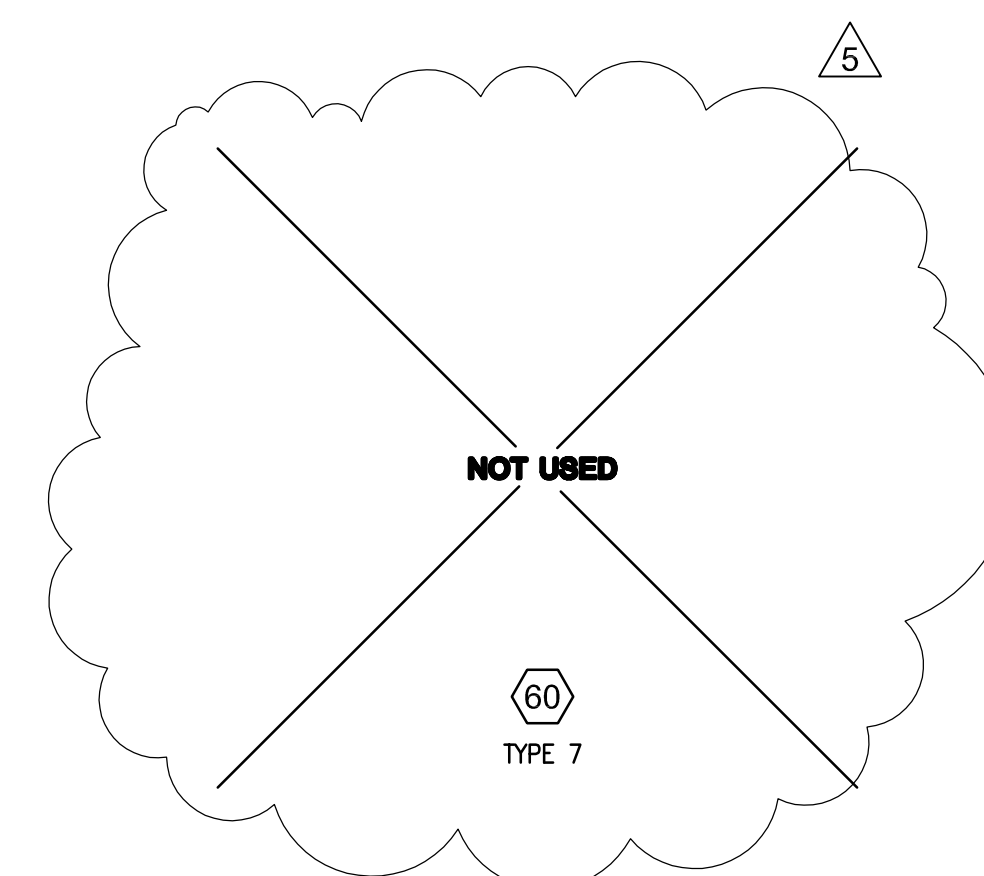
A. BATHROOM BUILDING NORTH ELEVATION 5
1/8" = 1'-0"



A. BATHROOM BUILDING EAST ELEVATION 6
1/8" = 1'-0"



A. BATHROOM BUILDING SOUTH ELEVATION 7
1/8" = 1'-0"



A. BATHROOM BUILDING WEST ELEVATION 8
1/8" = 1'-0"

RULES FOR PLACEMENT OF CIRCULAR WINDOWS

1. THERE SHALL BE A MINIMUM OF 3" OF CLEARANCE BETWEEN ADJACENT HOLES.
2. THE EDGE OF A CIRCULAR WINDOW OF ANY SIZE MUST NOT BE CLOSER THAN 12" TO THE JAMB OF A MAN-DOOR OPENING OR EDGE OF A TILT-PANEL. IF THE JAMB REINFORCING IS 12" OR GREATER IN WIDTH, THEN THE EDGE OF THE CIRCULAR WINDOW MUST BE A MINIMUM OF 2" FROM JAMB REINFORCING FURTHEST FROM THE JAMB EDGE (EDGE OF THE OPENING).
3. THE EDGE OF A CIRCULAR WINDOW OF ANY SIZE MUST NOT BE CLOSER THAN 16" TO THE JAMB OF A LARGE OPENING SUCH AS A ROLL-UP DOOR OPENING. IF THE JAMB REINFORCING IS 16" OR GREATER IN WIDTH, THEN THE EDGE OF THE CIRCULAR WINDOW MUST BE A MINIMUM OF 2" FROM THE JAMB REINFORCING FURTHEST FROM THE JAMB EDGE (EDGE OF THE OPENING).
4. THE EDGE OF A CIRCULAR WINDOW OF ANY SIZE MUST NOT BE CLOSER THAN 12" TO THE TOP EDGE OF ANY OPENING (AT THE HEADERS), IF THE HEADER REINFORCING IS 12" OR GREATER IN WIDTH, THEN THE EDGE OF THE CIRCULAR WINDOW MUST BE A MINIMUM OF 2" FROM THE REINFORCING FURTHEST FROM THE TOP EDGE OF THE OPENING.
5. SPECIAL REINFORCING IN A TILT-PANEL AT A BEAM OR JOIST LOCATION MUST NOT BE INTERRUPTED BY A CIRCULAR WINDOW.

KEY NOTES

- 1 REFER TO DETAILS 514, 515, AND 516 AS EXAMPLES FOR PERIMETER REINFORCING FOR CLUSTER WINDOWS. TYPICAL FOR CLUSTERS.
- 2 NOT USED.
- 3 NOT USED.
- 4 NOT USED.
- 5 MECHANICAL OPENING - APPROXIMATE LOCATION AND SIZE, REFER TO ARCH/MECH'L FOR ACTUAL LOCATION AND SIZE.
- 6 CONCRETE RETURN PER DETAIL 523/ZSS502.
- 7 DRINKING FOUNTAIN - VERIFY.
- 8 CORNER GUARDS PER DETAIL 522/ZSS502 AND REF. ARCH'L.
- 9 STEP FOOTING BELOW WATER HARVESTING TRENCH.

NOTE:

ALL PANELS ARE f'c=3,000 PSI U.N.O.

GENERAL NOTES

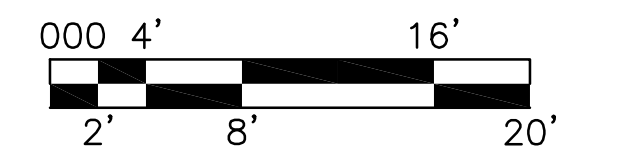
1. ALL STRUCTURAL PANELS SHOW THE INTERIOR FACE OF PANEL. REFERENCE ARCHITECTURAL FOR EXTERIOR FACE.
2. REFERENCE ARCHITECTURAL MANUAL FOR SCHEDULE OF CIRCULAR OPENINGS.

CERTIFICATIONS
KEY PLAN
REVISION NOTES
GRAPHIC SCALE
CONTRACTORS
BUILDING
PROJECT

MARK	DATE	DESCRIPTION
△	02/01/10	ADDENDUM #1
△	06/28/10	DESIGN CLARIFICATION

ADDENDUM DELTA TYPES

△	ISSUED BY ADDM. SKETCH OR BY RE-ISSUED SHEET
△	ISSUED BY ADDM. NARRATIVE (TEXT) ONLY
△	ISSUED BY ADDM. RESPONSE TO BIDDER QUESTION ONLY



DRAWING TITLE	MAIN BUILDING ELEVATIONS
FILE NAME	A-S2002-NA200001.DWG
FLOOR NO.	01
DRAWN BY	DTR DATE DRAFTED: 1/3/2010
CHECKED BY	FJN SHEET SIZE: 30 X 42
DRAWING NO.	A S 2002
	PACKAGE DISC. TYPE SHEET NO.