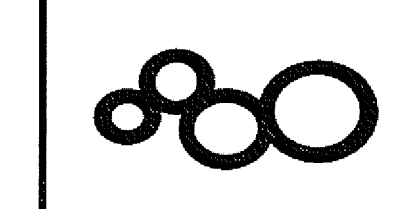


ISSUED FOR	DATE
BID PK #1 80 CD	12.01.09
BID PK #2 100 CD	03.26.09
100% CD	05.26.09
CD-4	01.07.10
CD-4	04-15-10

SANFORD CONSORTIUM FOR REGENERATIVE MEDICINE
 2880 TORREY PINES SCENIC DRIVE
 LA JOLLA, CALIFORNIA 92037



CONSULTANT

Landford/Phelps Consortium, LLC
 425 West Broadway, Suite 1400, San Diego, CA 92101
 619.594.2222

FENTRESS ARCHITECTS
 40 Broadway, Suite 200, San Francisco, CA 94111
 415.774.1100

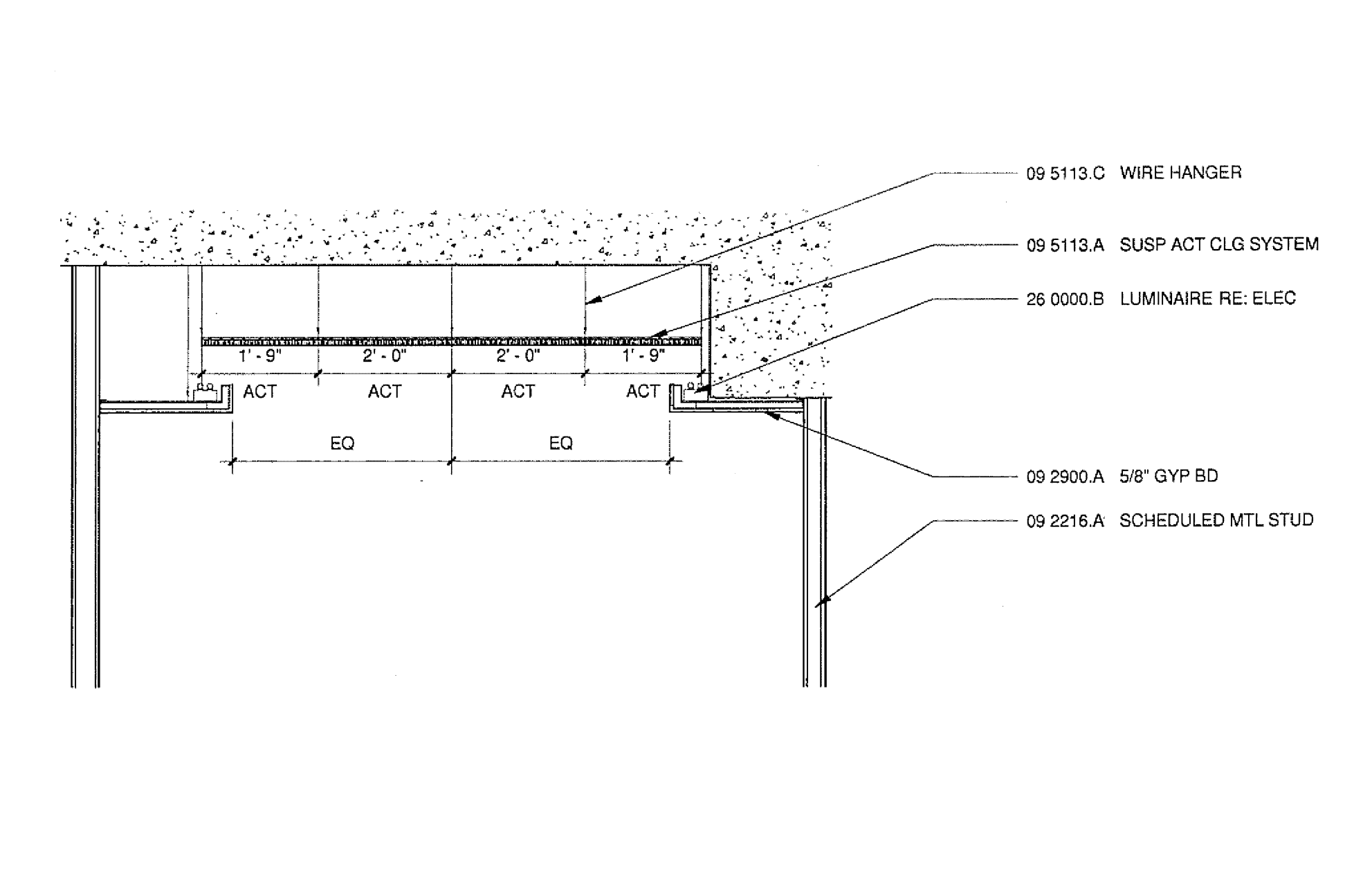
DAVIS DAVIS ARCHITECTS
 1000 Broadway, Suite 200, San Francisco, CA 94133
 415.774.1100

STAMP
 LICENSED ARCHITECT
 Jeffrey W. Olson
 No. C-31761
 REG. 03/31/11
 STATE OF CALIFORNIA
 ARCHITECTURAL SERVICES

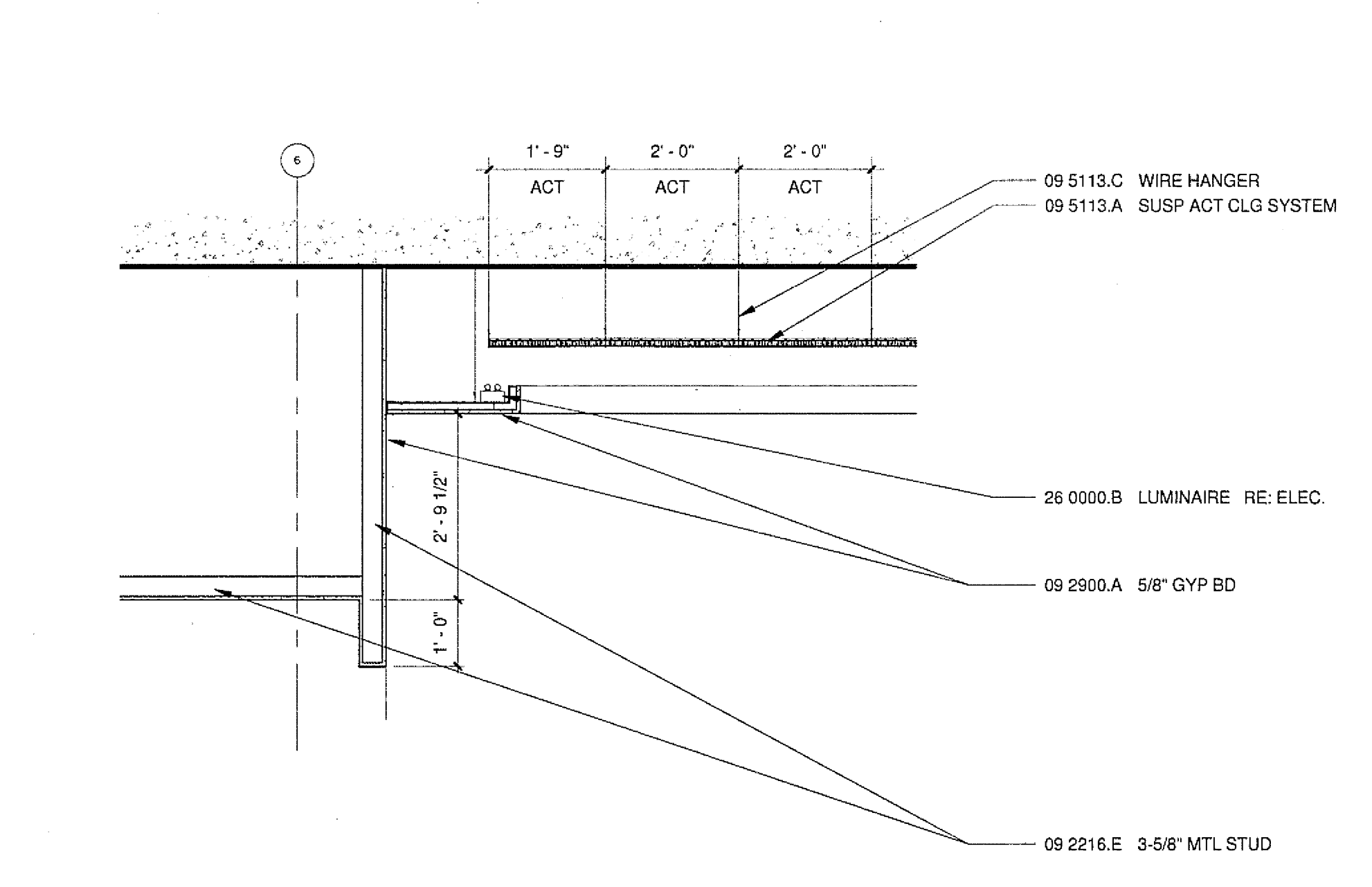
SHEET NAME
 INTERIOR SECTION DETAILS

DRAWN BY: Author
 PROJECT # 200726.000
 SHEET NUMBER

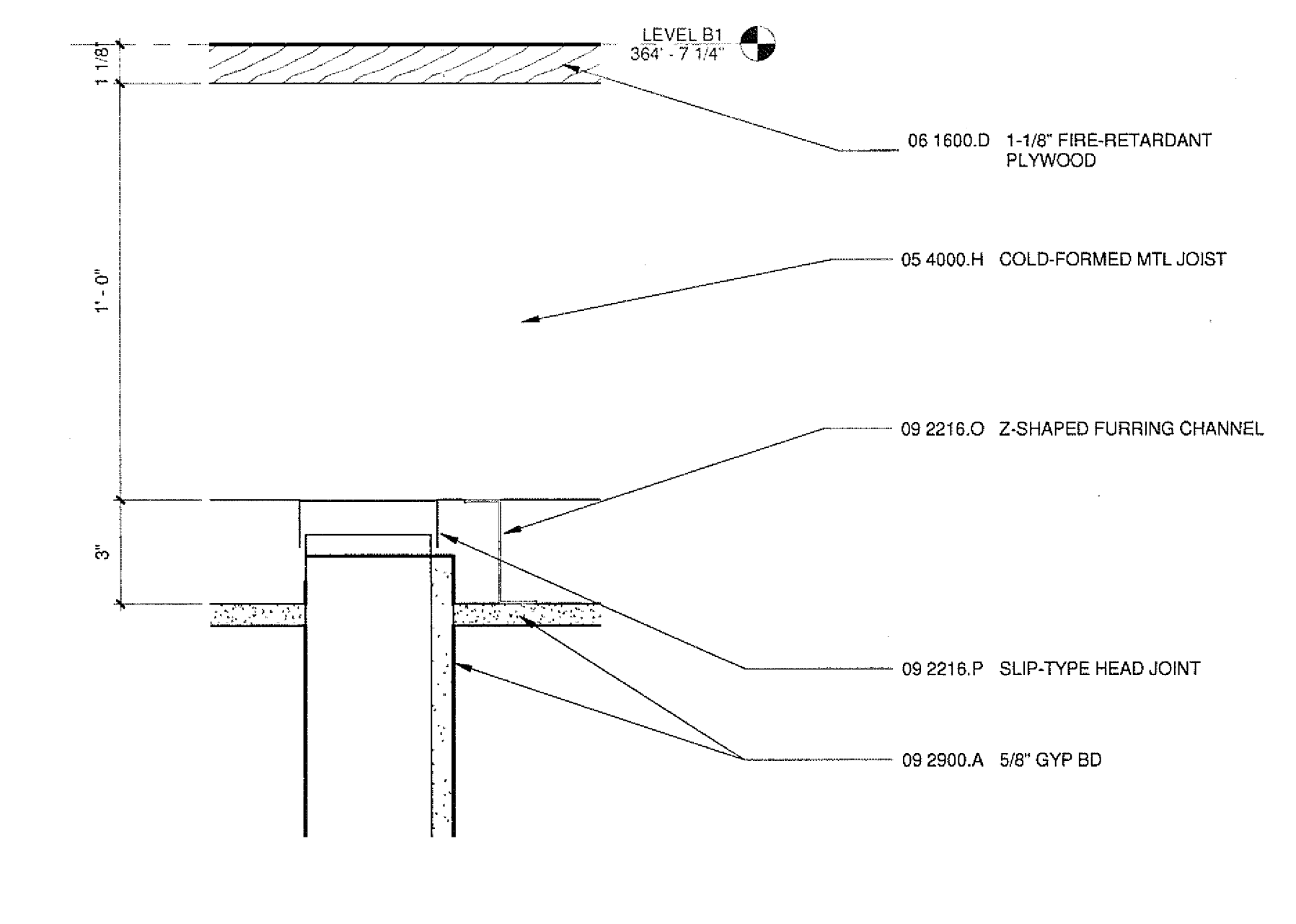
A9701



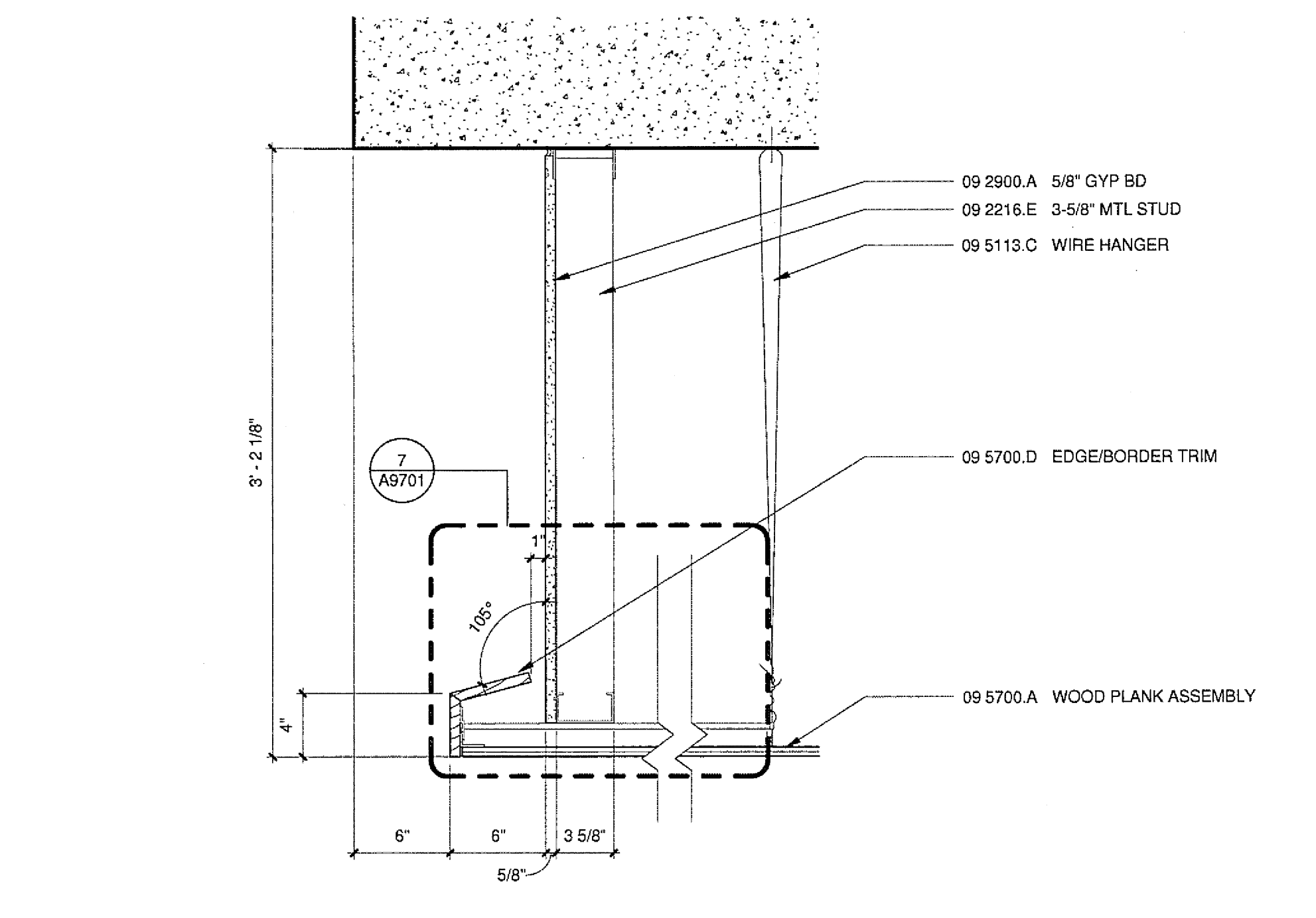
4 ELEVATOR LOBBY CEILING DETAIL
 A3212/A9701 1/2" = 1'-0"



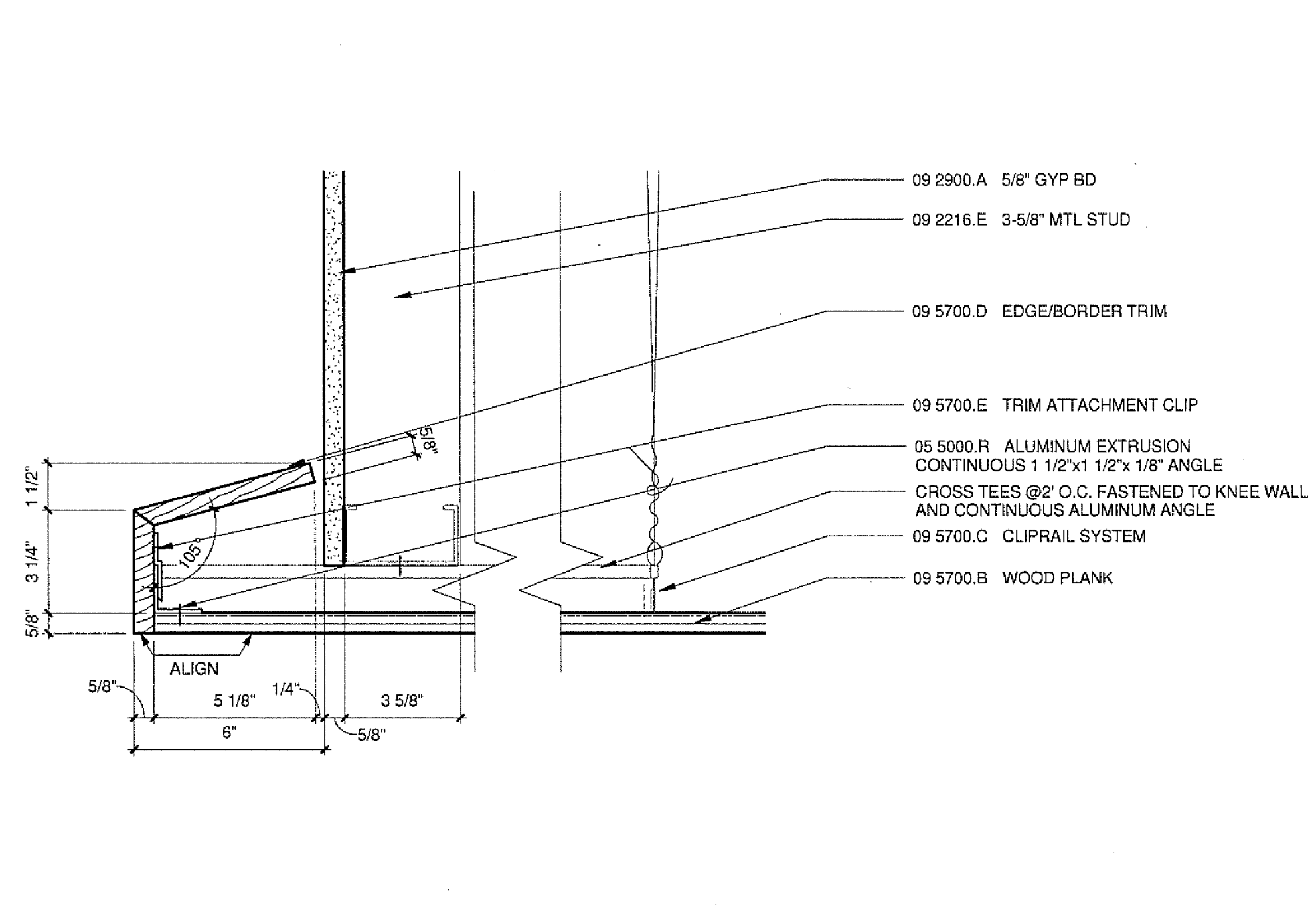
8 ELEVATOR LOBBY CEILING DETAIL 2
 A3212/A9701 1/2" = 1'-0"



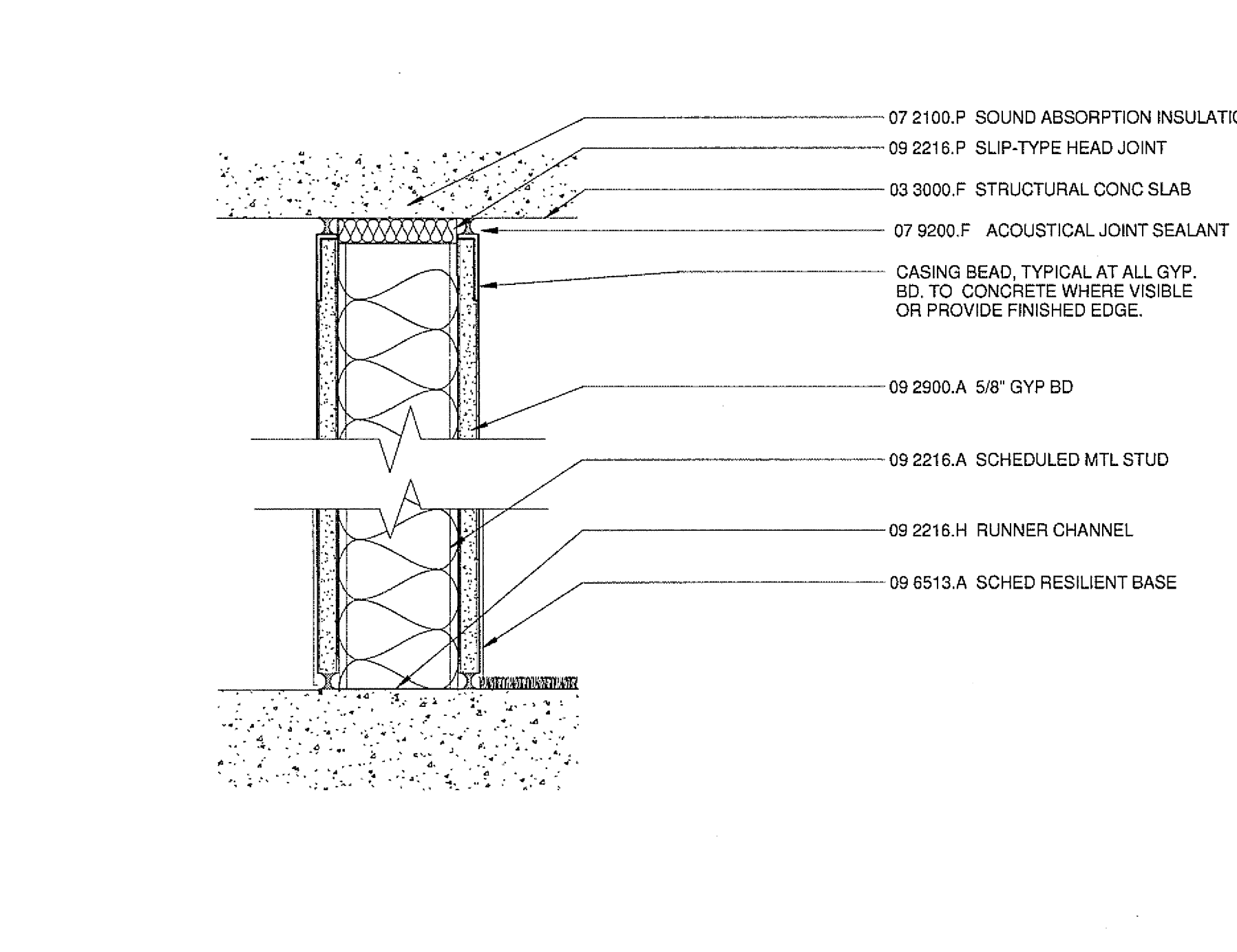
12 TYP VIVARIUM WALL TO CEILING
 A8201/A9701 3/4" = 1'-0"



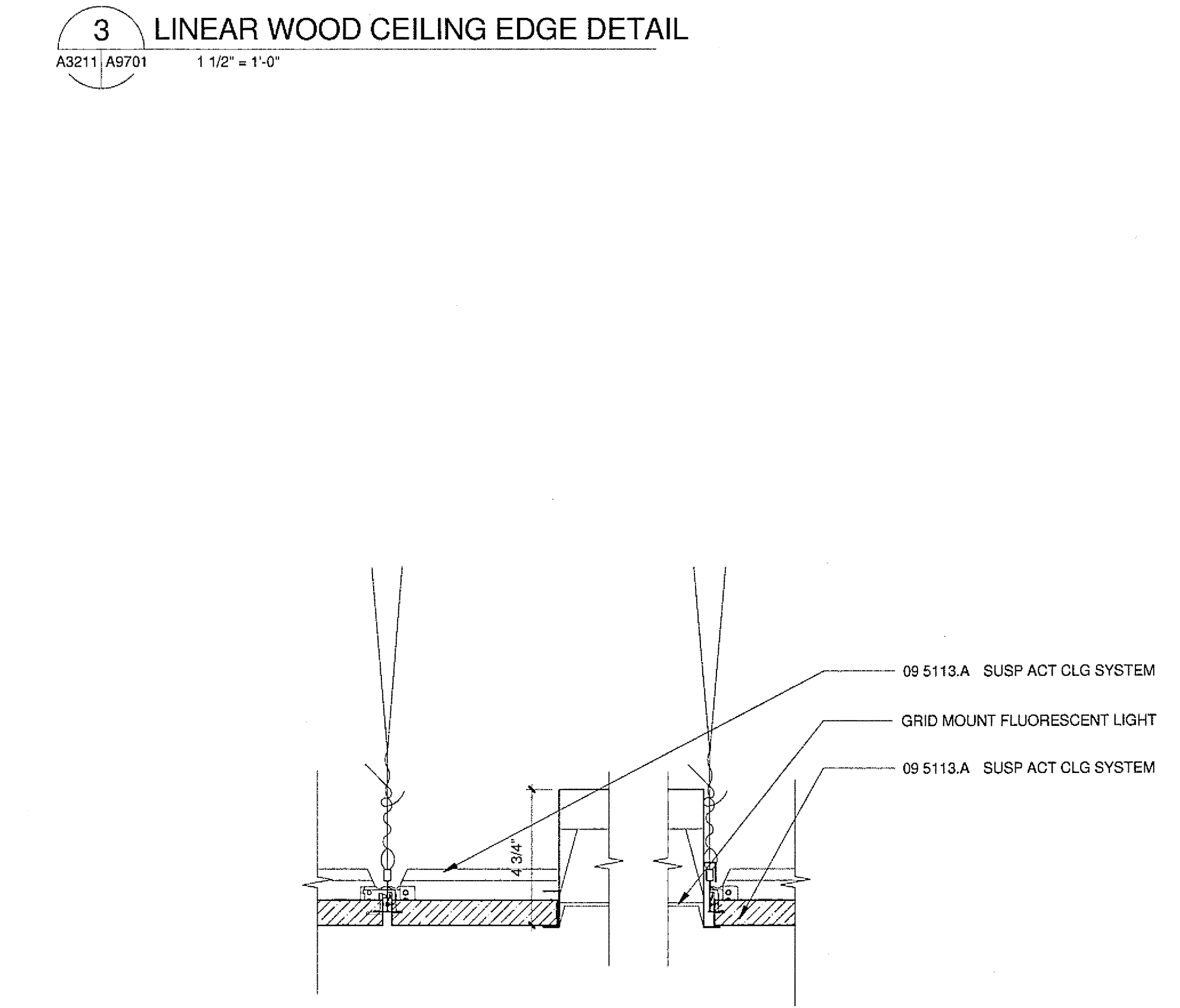
3 LINEAR WOOD CEILING EDGE DETAIL
 A3211/A9701 1 1/2" = 1'-0"



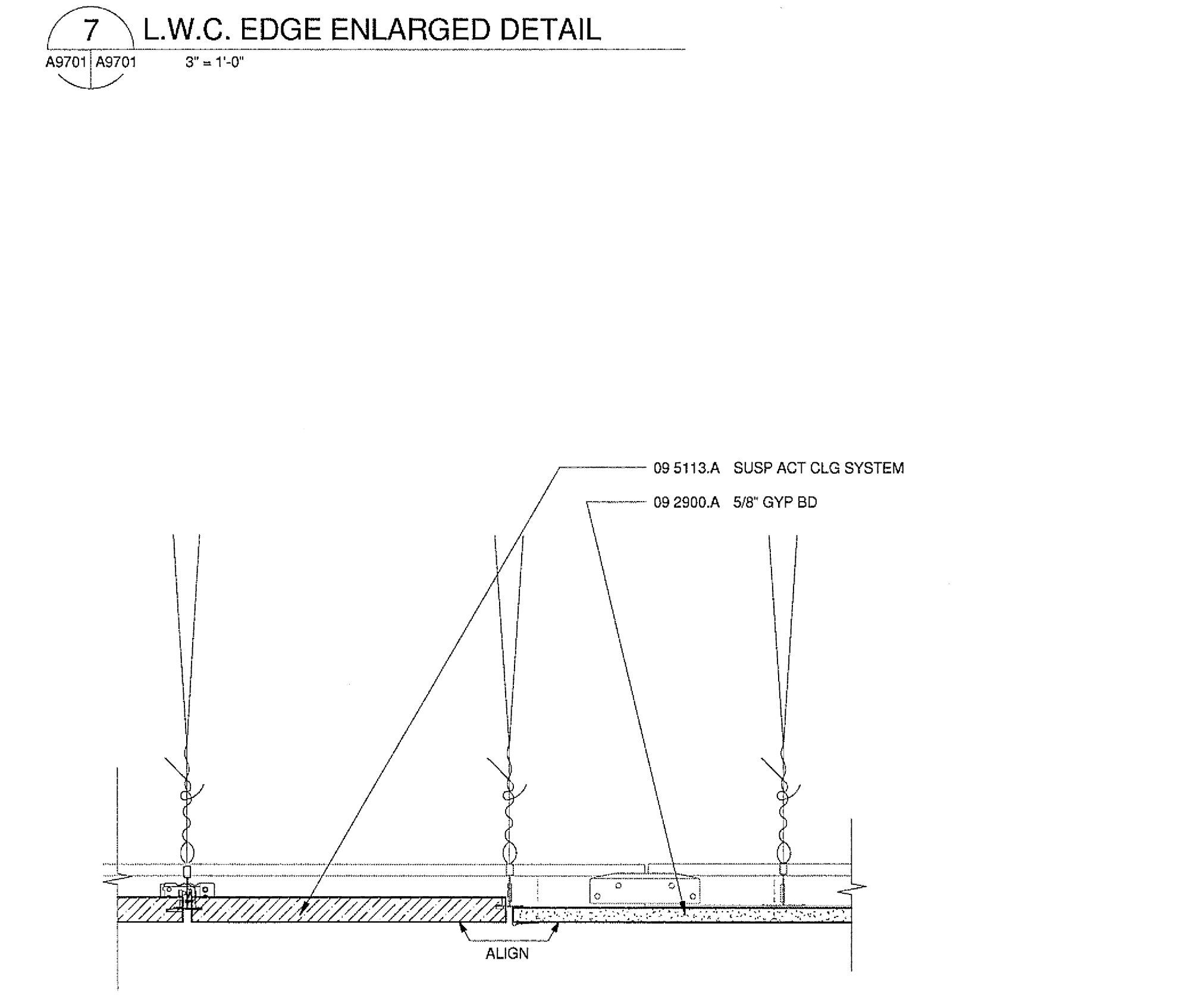
7 L.W.C. EDGE ENLARGED DETAIL
 A9701/A9701 3/4" = 1'-0"



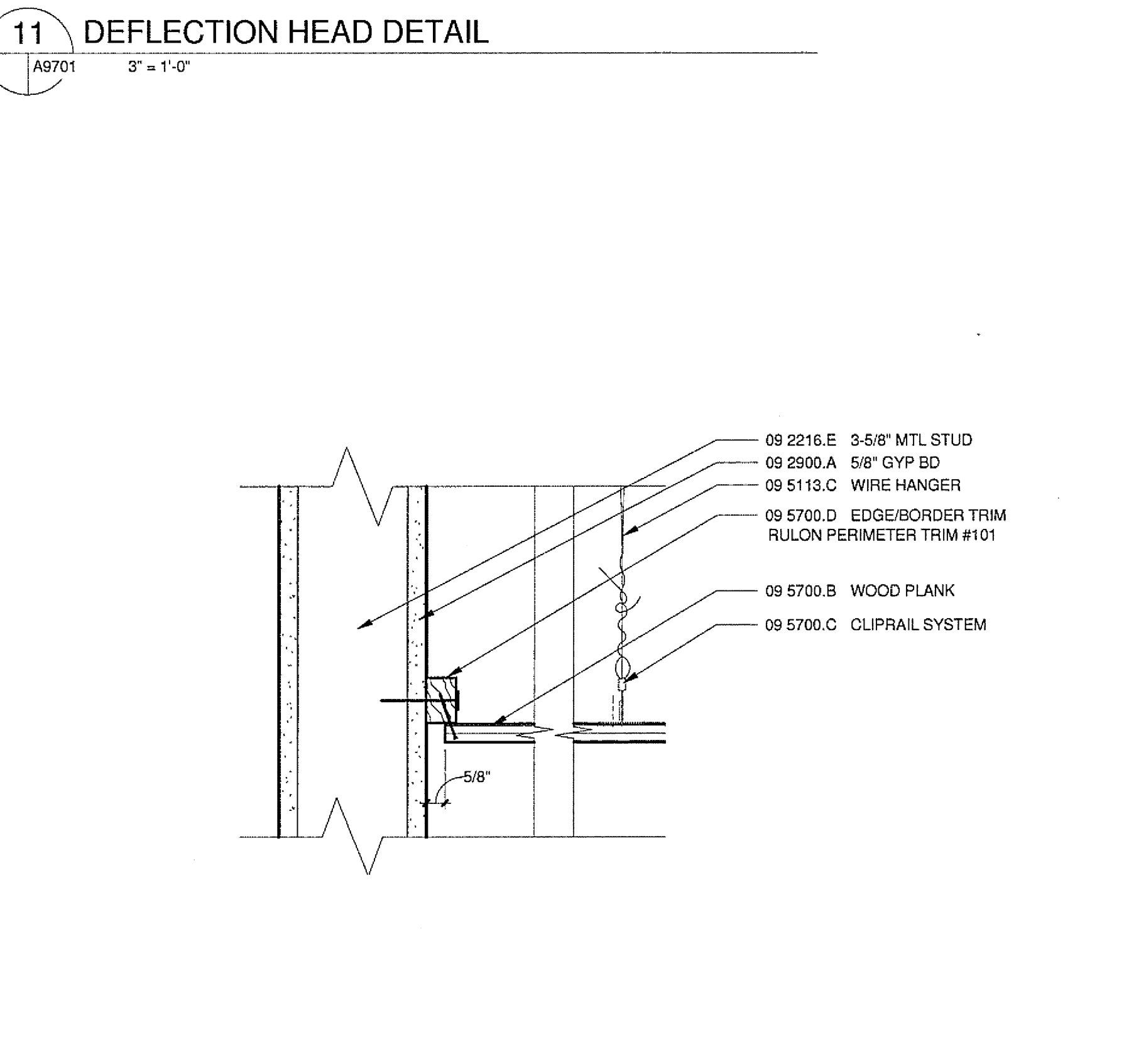
11 DEFLECTION HEAD DETAIL
 A9701 3/4" = 1'-0"



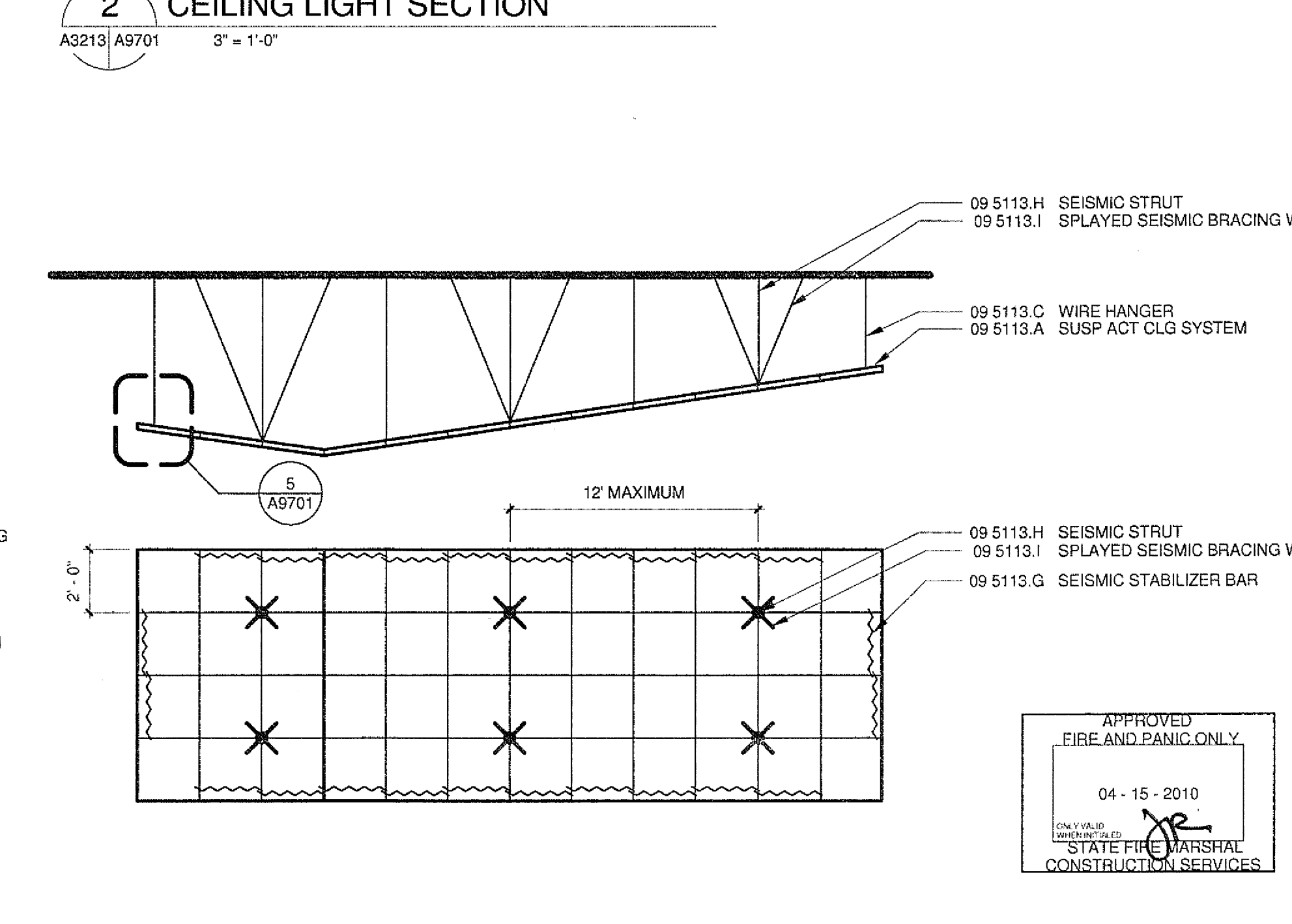
2 CEILING LIGHT SECTION
 A3213/A9701 3/4" = 1'-0"



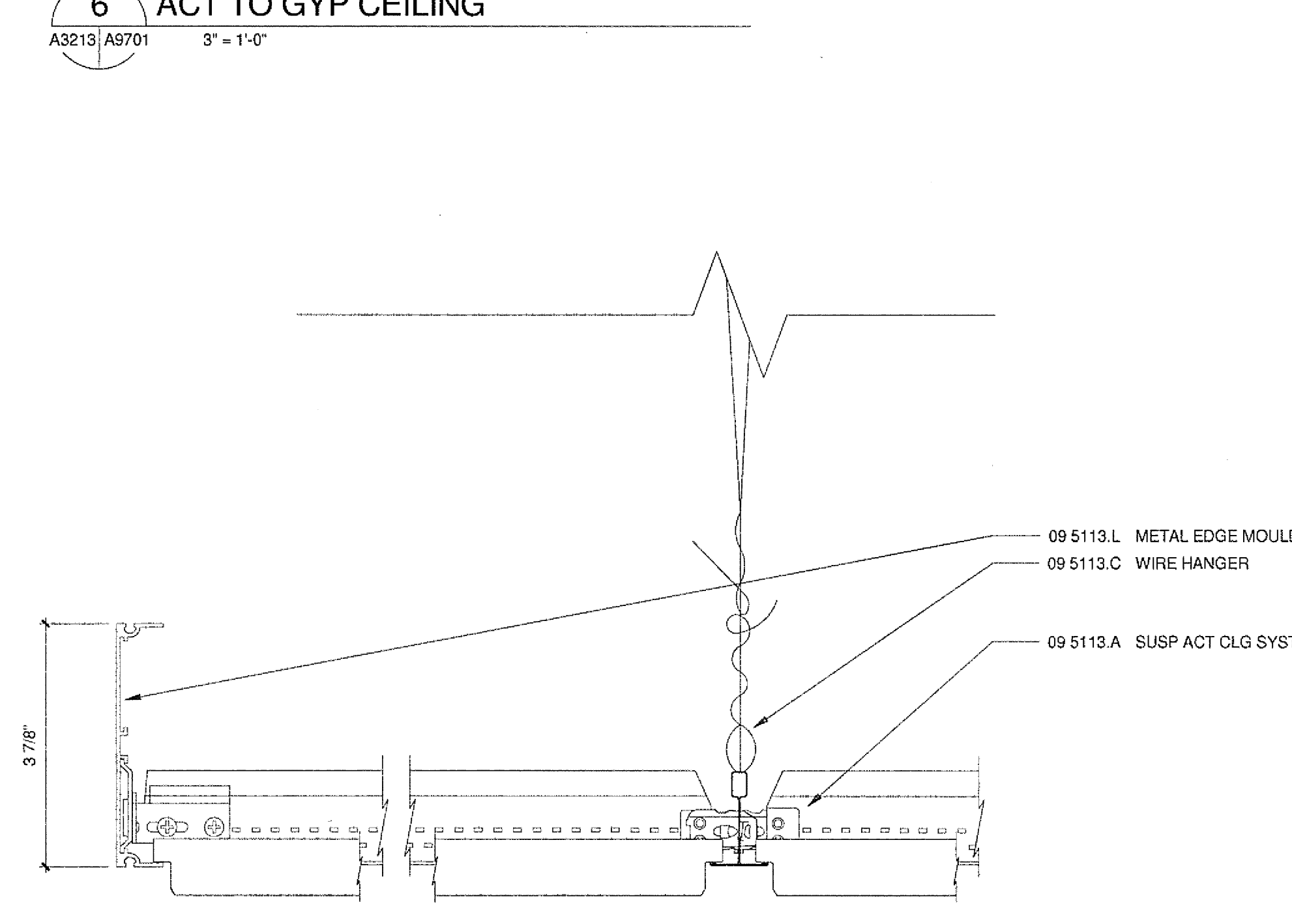
6 ACT TO GYP CEILING
 A3213/A9701 3/4" = 1'-0"



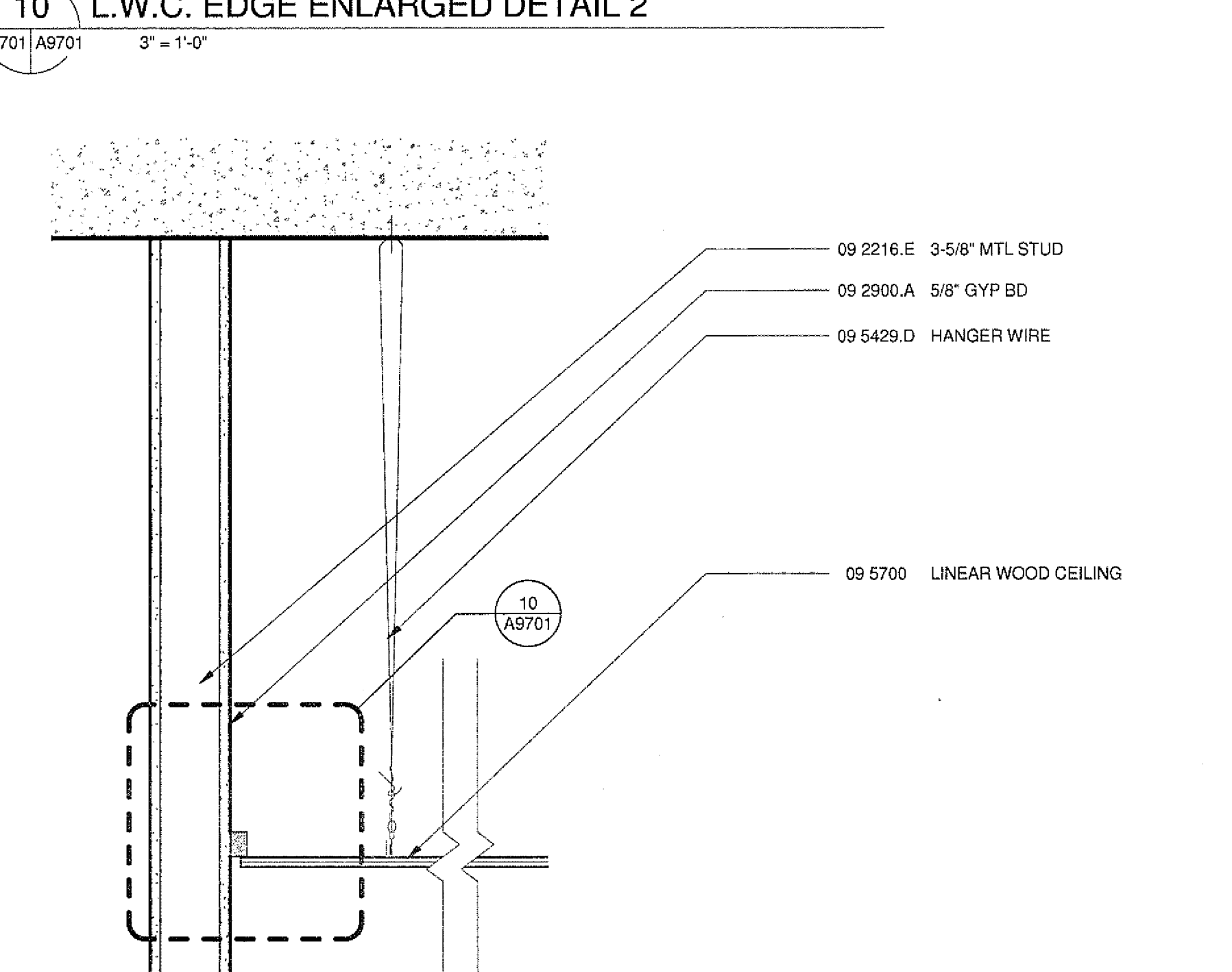
10 L.W.C. EDGE ENLARGED DETAIL 2
 A9701/A9701 3/4" = 1'-0"



1 SUSPENDED CEILING SEISMIC BRACING
 A3211/A9701 1/4" = 1'-0"



5 SUSPENDED CEILING EDGE DETAIL
 A9701/A9701 6" = 1'-0"



9 LINEAR WOOD CEILING EDGE DETAIL 2
 A3211/A9701 1 1/2" = 1'-0"

U.C.S.D.
 PRELIMINARY DRAWINGS
 PROGRESS DRAWINGS
 REVIEW DRAWINGS
 CONSTRUCTION DRAWINGS

DATE

10/26/10 10:16:52 AM
 C:\P\Arch\Projects\200726_SCFM_Areas_Dz.rvt

Warning: It is a violation of the law for any person, unless acting under the direction of a licensed architect, to alter an item in any way. If an item in this document is altered, the altering architect, if other than the architect of record, shall affix to the item his seal and the notation "altered" followed by his signature and the date of such alteration, and the specific description of the alteration.