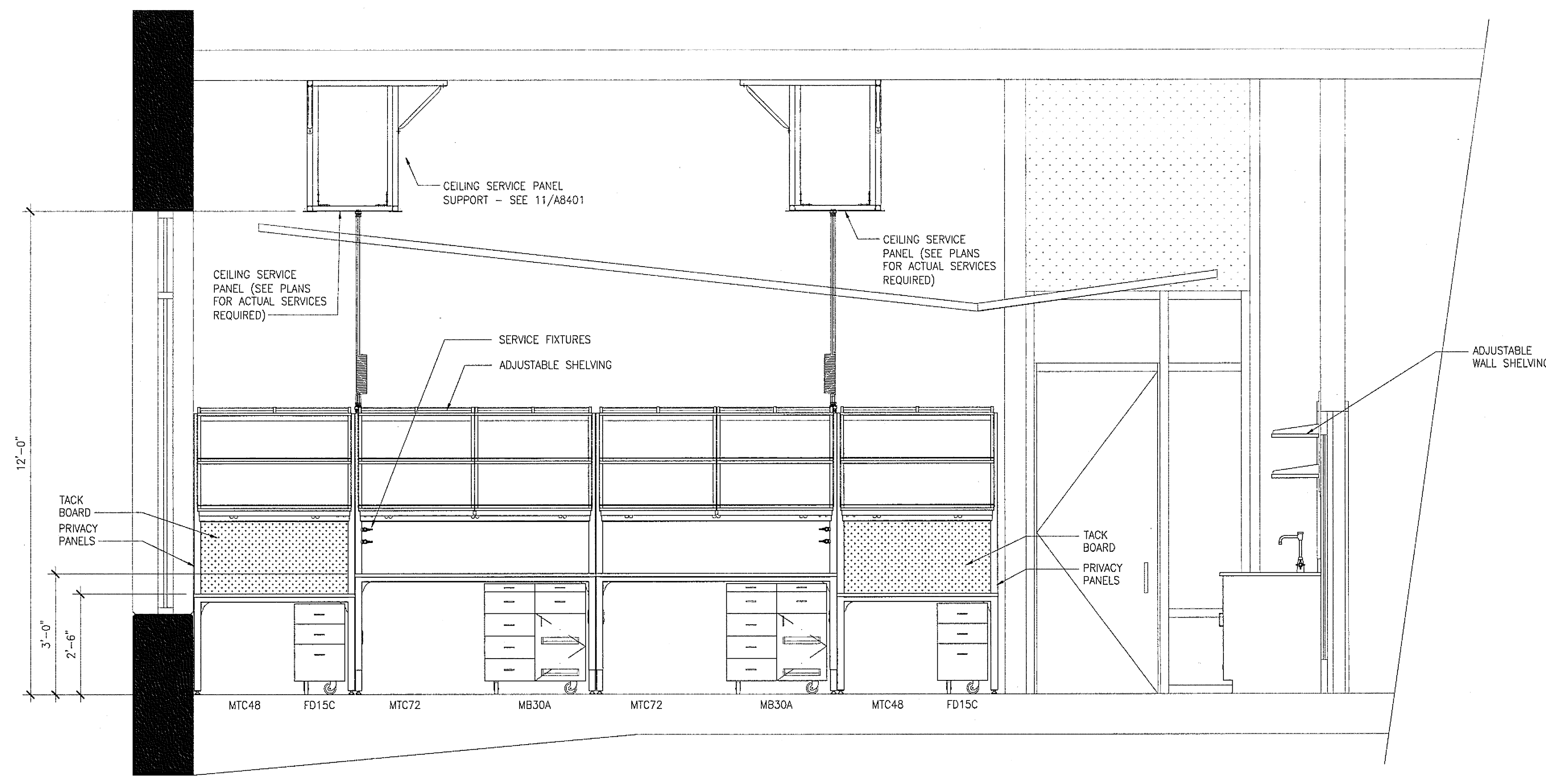
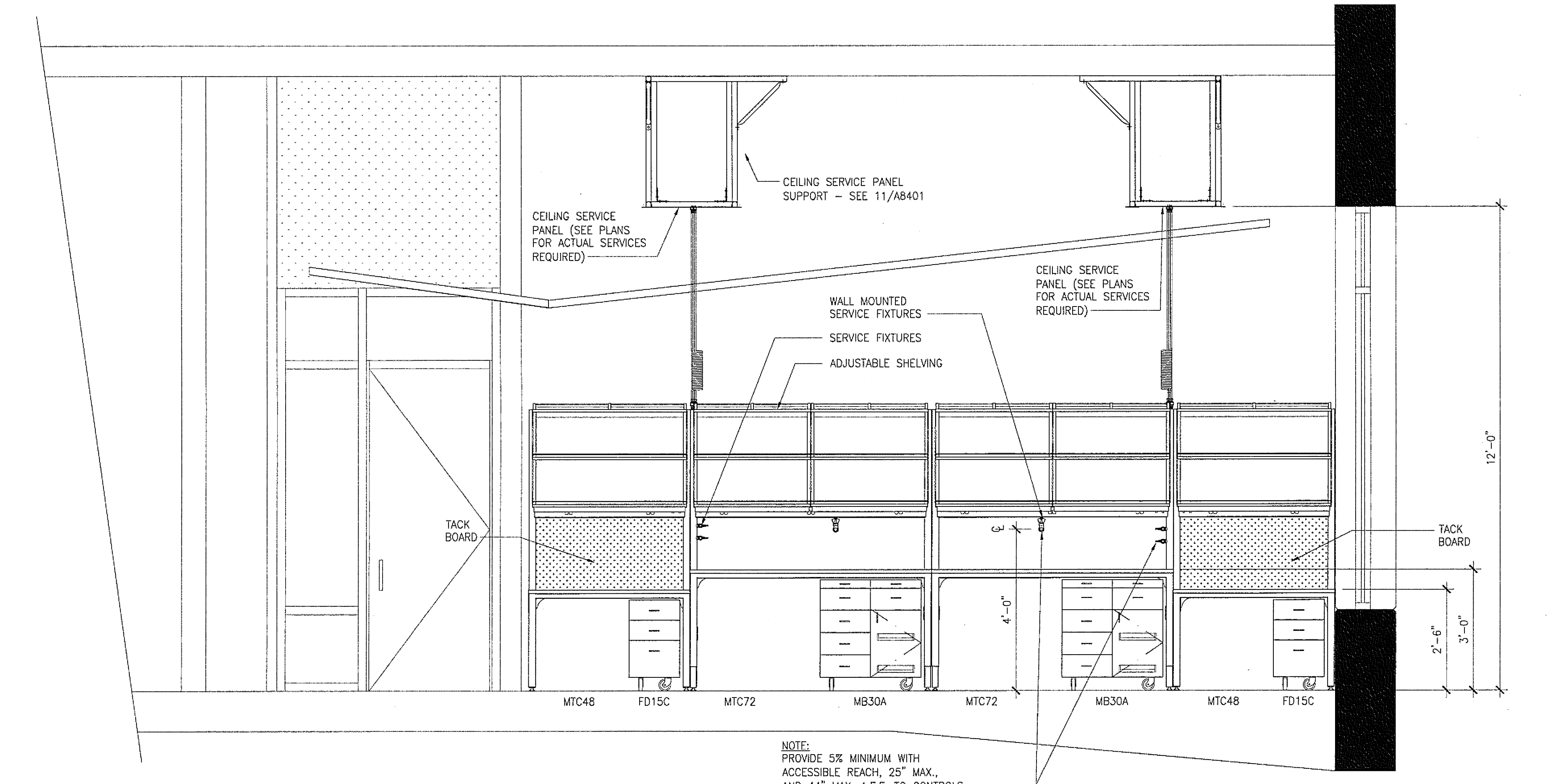


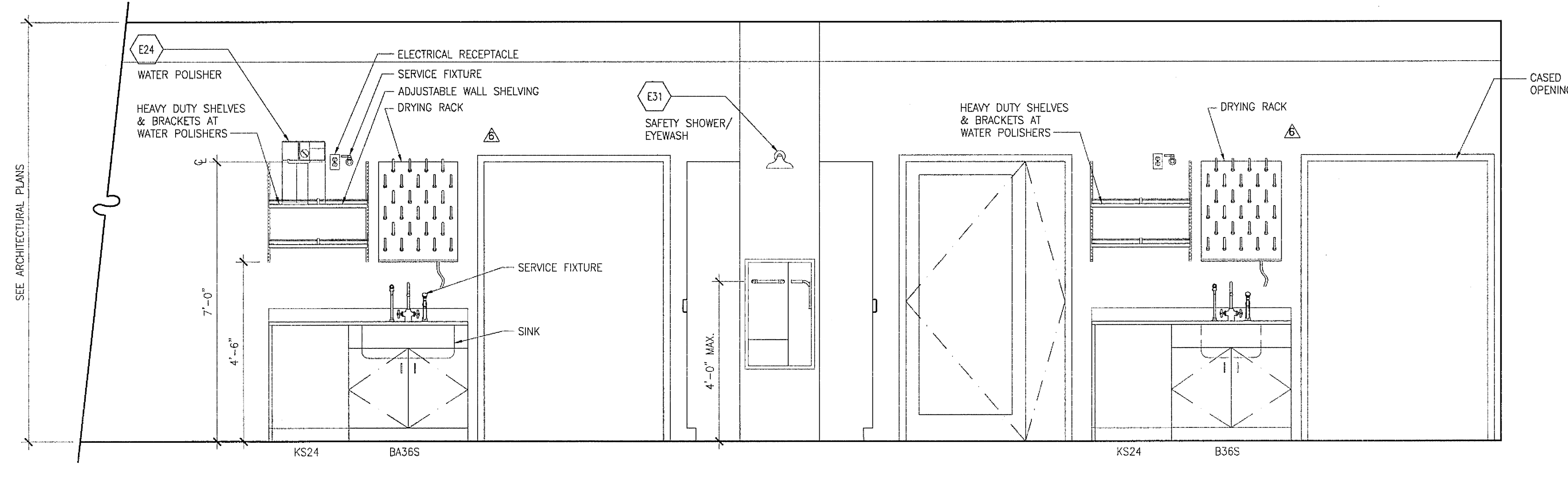
ISSUED FOR	DATE
BD PK #1 80% CD	12.21.08
BD PK #1 100 CD	02.16.09
BD PK #2 100 CD	03.26.09
100% CD	03.08.09
B. COB3	04.15.10



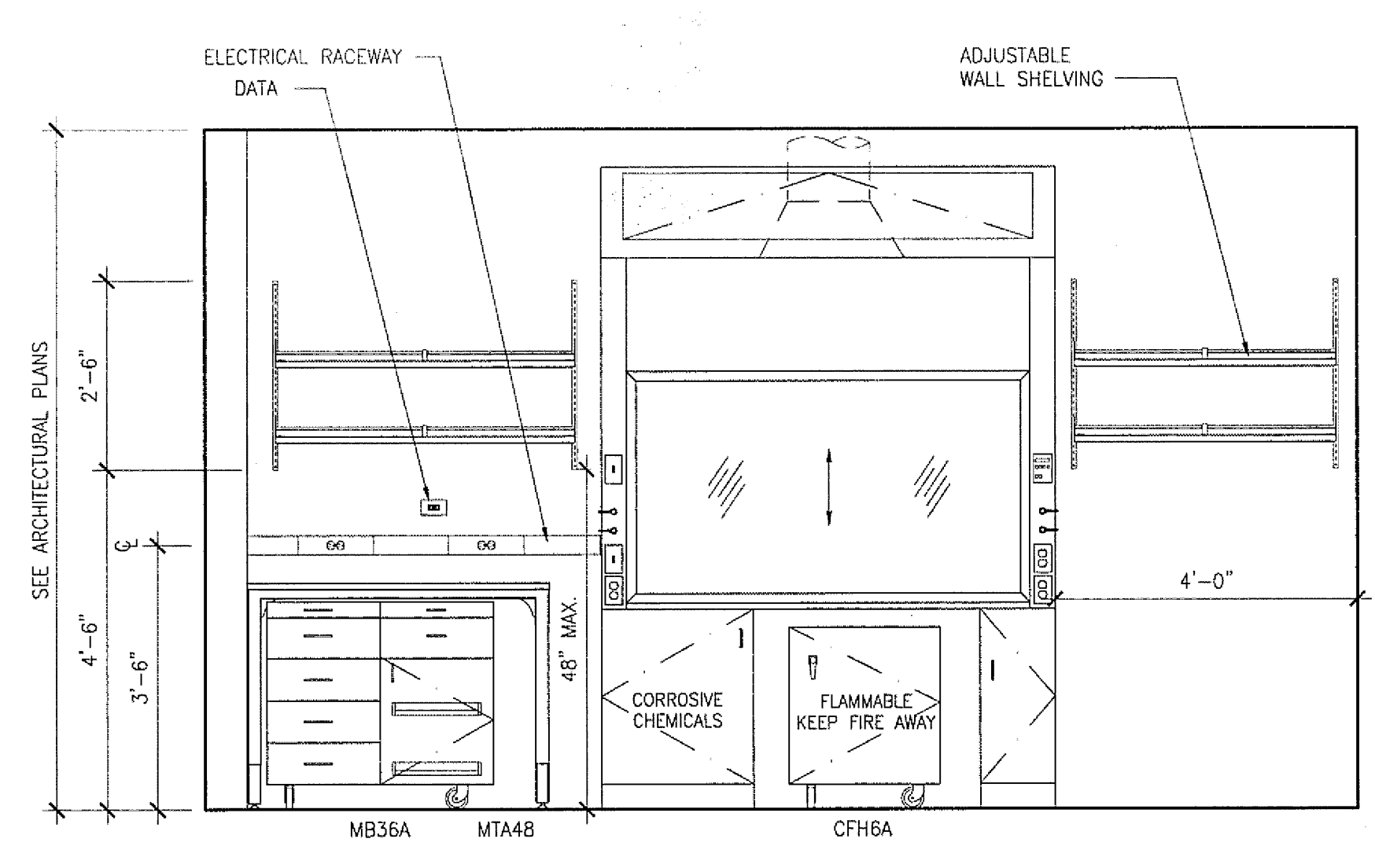
9 TYPICAL LAB
A9502 SCALE: 1/2"=1'-0"



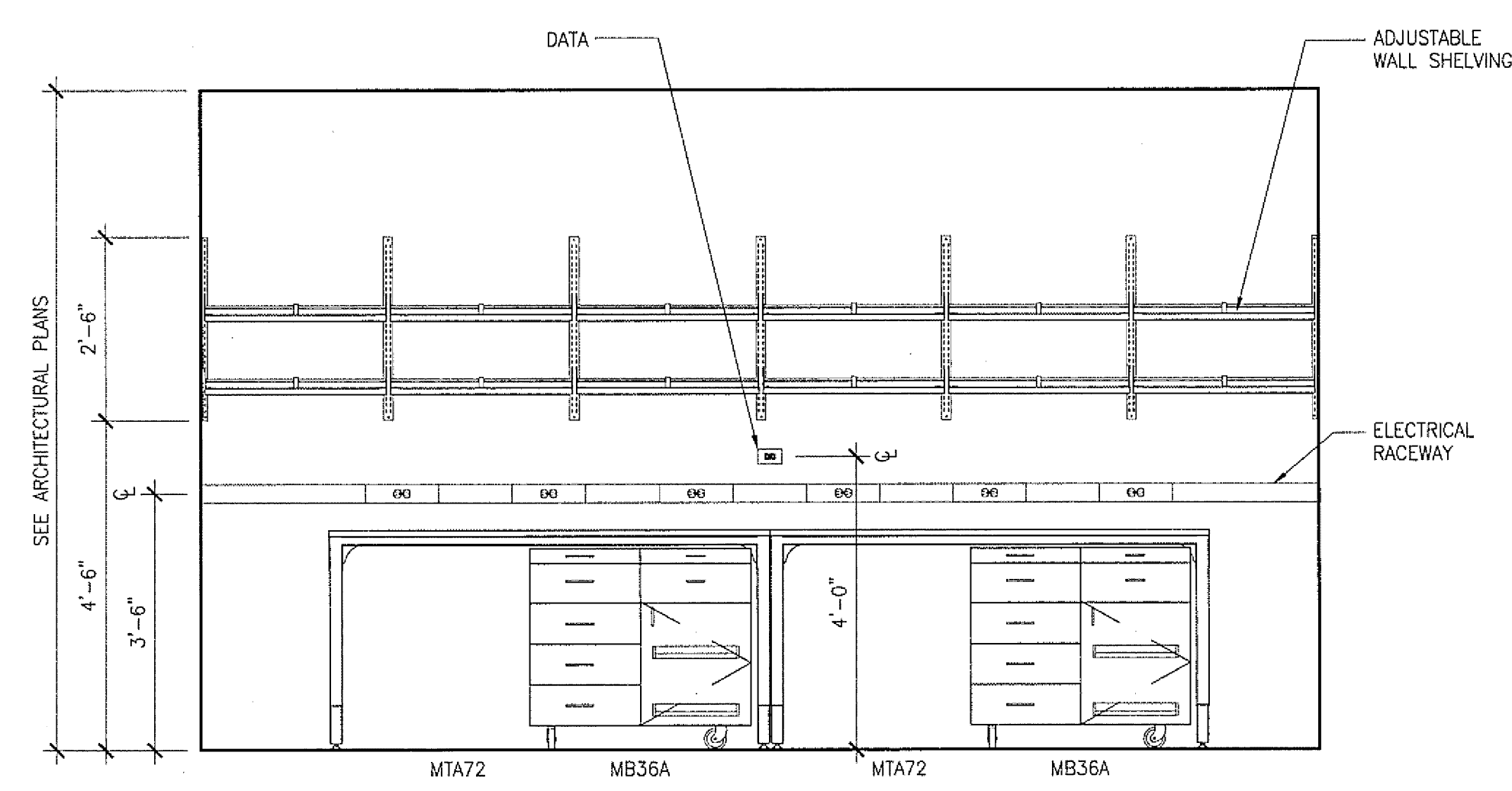
10 TYPICAL LAB
A9502 SCALE: 1/2"=1'-0"



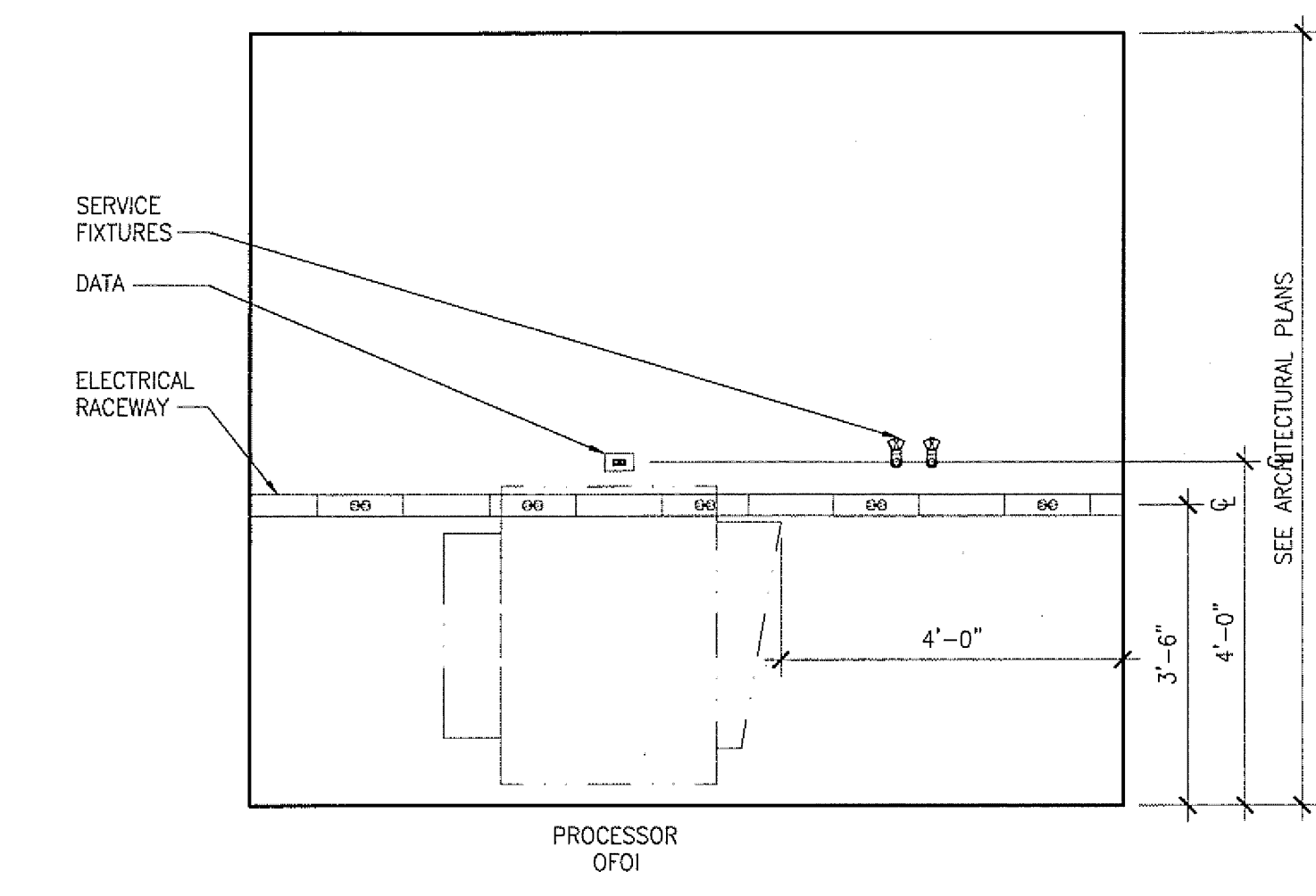
11 TYPICAL LAB
A9502 SCALE: 1/2"=1'-0"



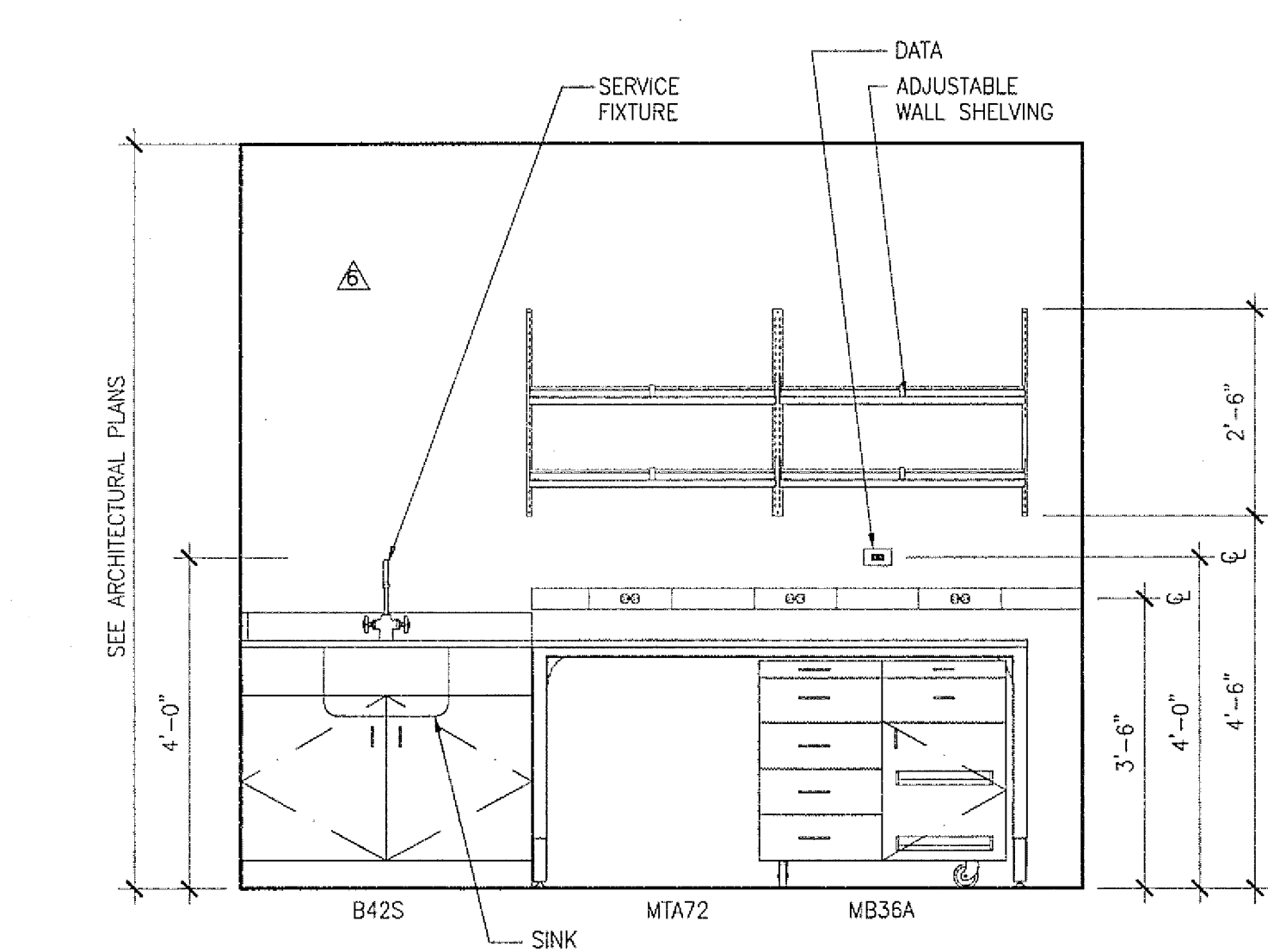
5 TYPICAL FUME HOOD ROOM
A9502 SCALE: 1/2"=1'-0"



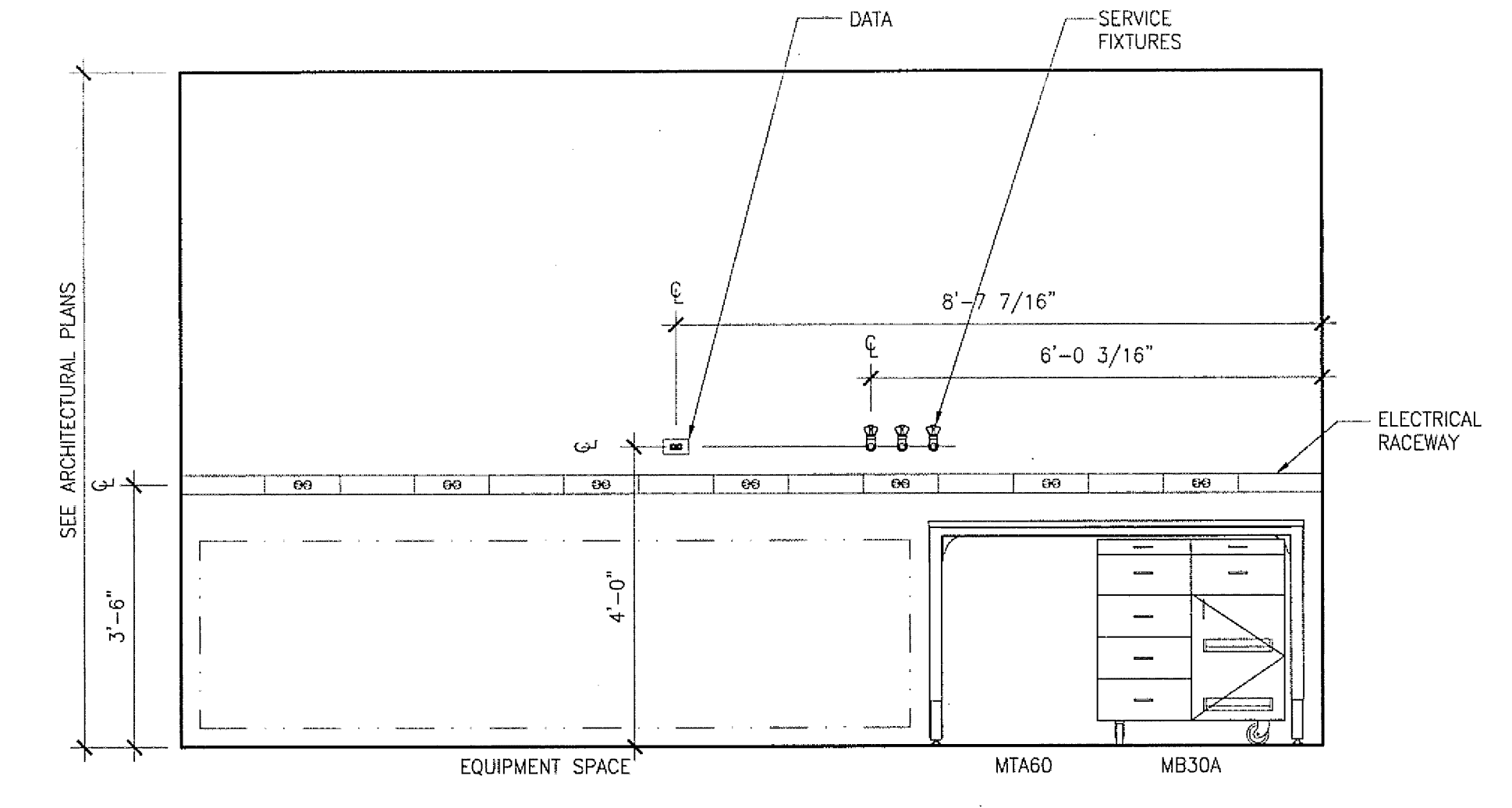
6 TYPICAL FUME HOOD ROOM
A9502 SCALE: 1/2"=1'-0"



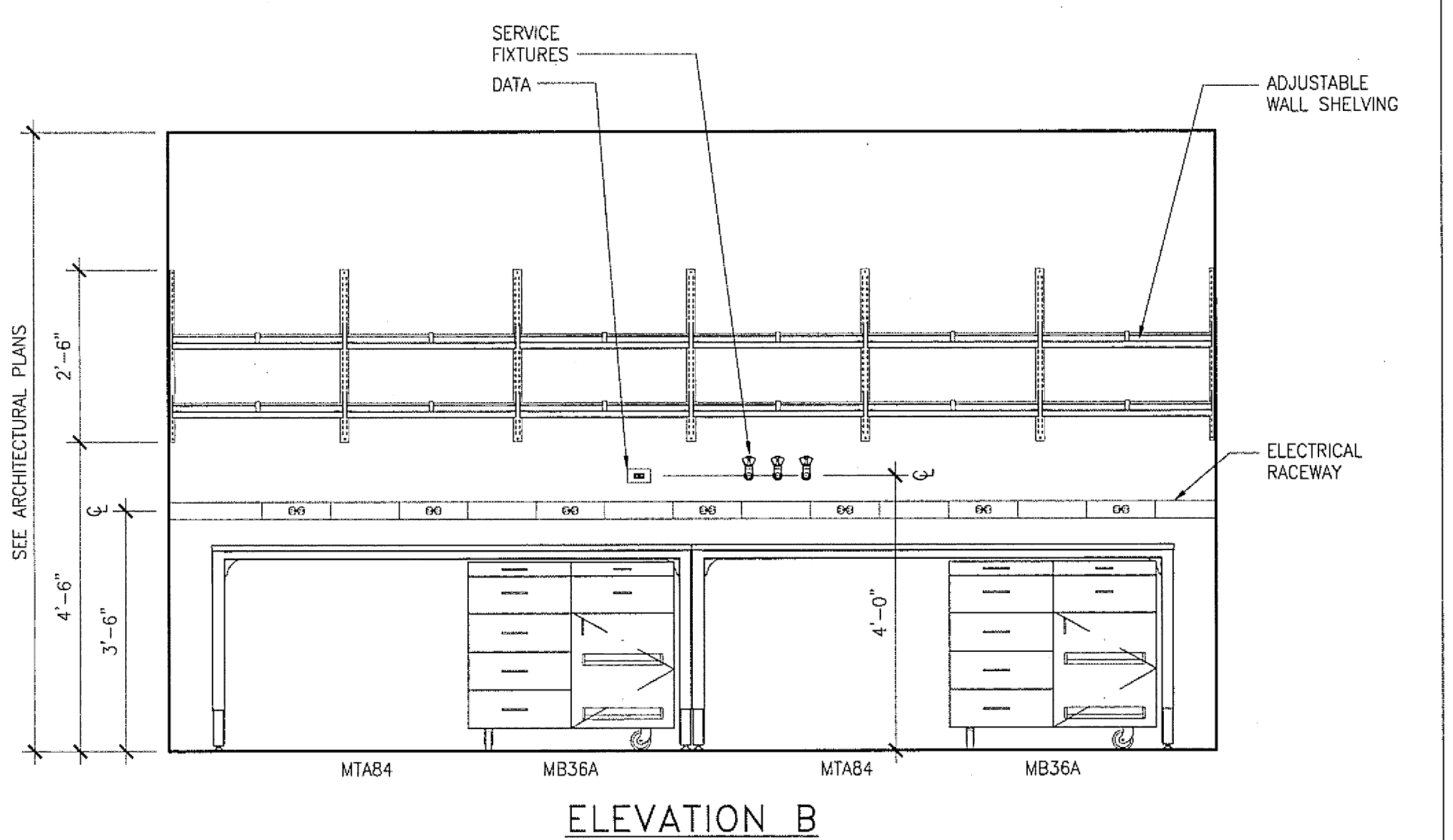
7 TYPICAL DARK ROOM
A9502 SCALE: 1/2"=1'-0"



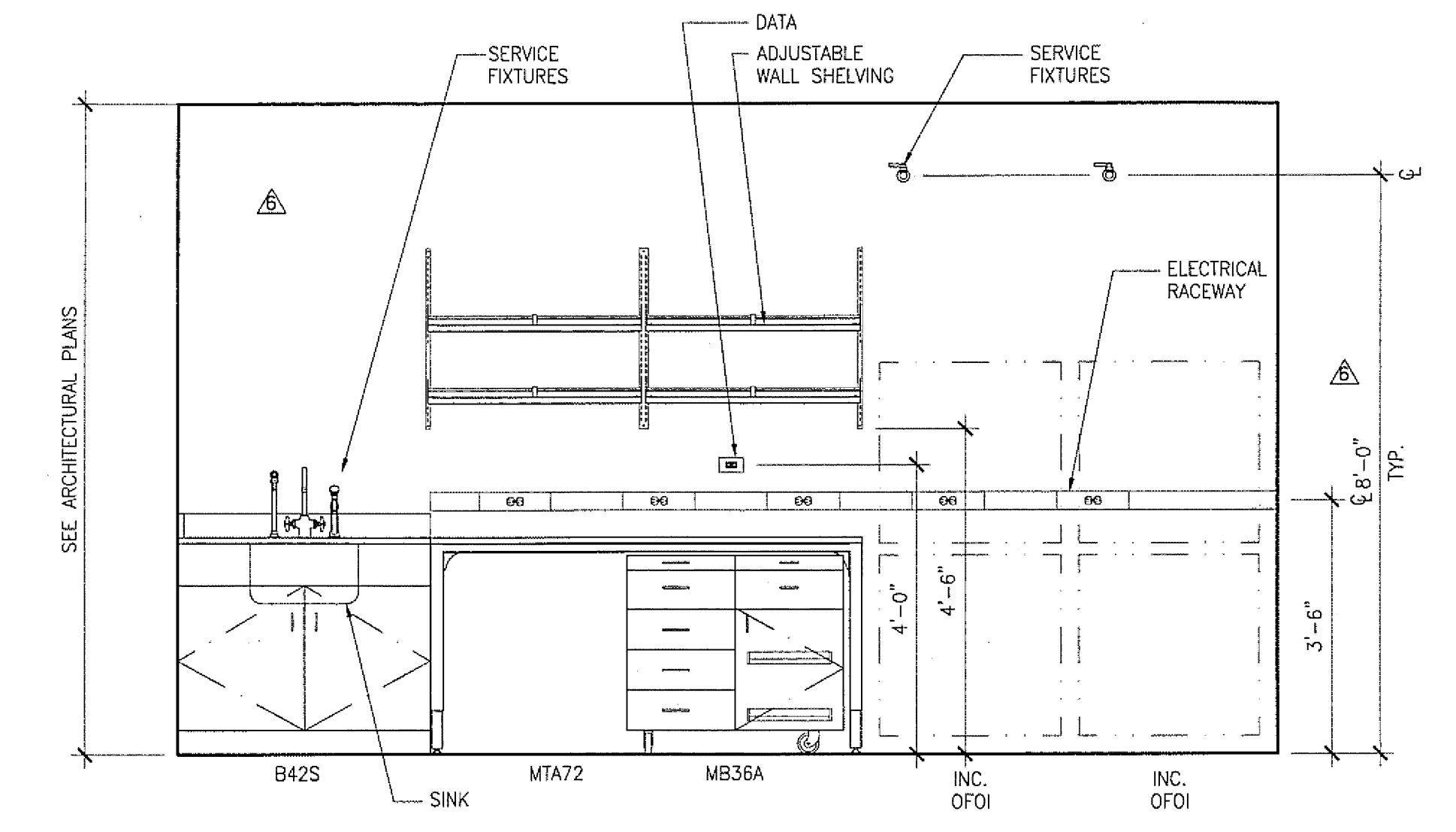
8 TYPICAL DARK ROOM
A9502 SCALE: 1/2"=1'-0"



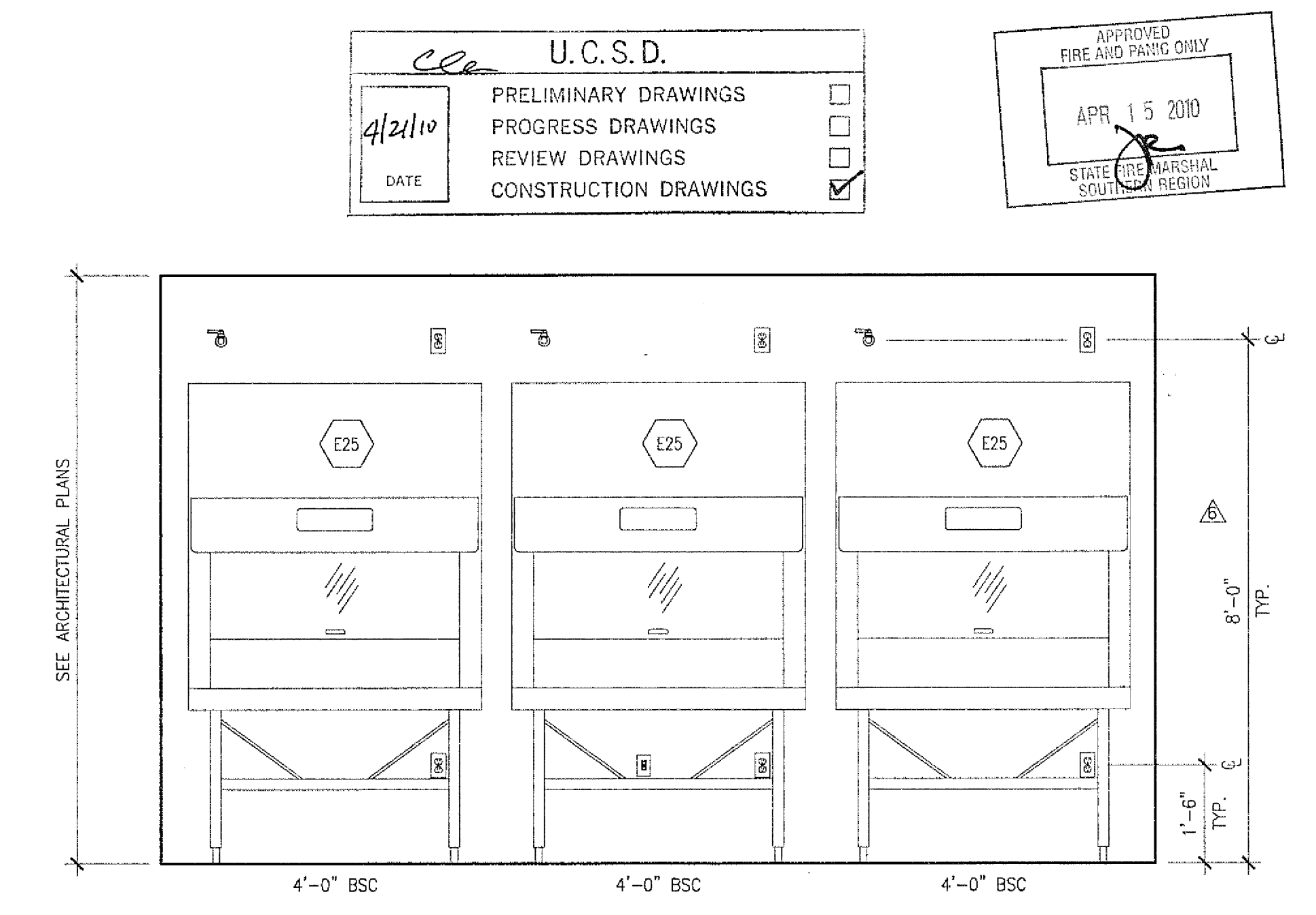
1 TYPICAL LAB SUPPORT
A9502 SCALE: 1/2"=1'-0"



2 TYPICAL LAB SUPPORT
A9502 SCALE: 1/2"=1'-0"



3 TYPICAL TISSUE CULTURE
A9502 SCALE: 1/2"=1'-0"



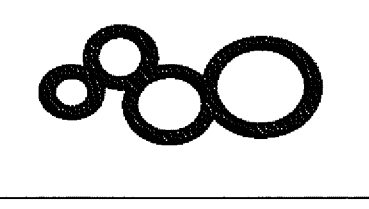
4 TYPICAL TISSUE CULTURE
A9502 SCALE: 1/2"=1'-0"

U.C.S.D. PRELIMINARY DRAWINGS
DATE: 4/21/10

REVIEW DRAWINGS
CONSTRUCTION DRAWINGS

SUPPORTED FIRE ALARM PULL STATION ONLY
APR 15 2010
SUNBELT FIRE ALARM SYSTEMS

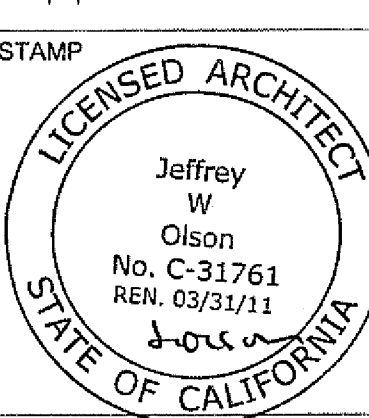
SANFORD CONSORTIUM FOR REGENERATIVE MEDICINE
2880 TORREY PINES SCENIC DRIVE
LA JOLLA, CALIFORNIA 92037



CONSULTANT
JACOBS CONSULTANCY
4420 Stevenson Avenue, Suite 100, San Diego, CA 92121
619.594.2200
www.jacobs.com

LandOphi/Phelps Consortium LLC
10000 La Jolla Village Drive, Suite 100, San Diego, CA 92121
619.594.2200

FENTRESS ARCHITECTS
401 Broadway, Suite 401, San Diego, CA 92101
619.594.2200
DAVIS ARCHITECTS
2100 Fifth Avenue, San Diego, CA 92103



SHEET NAME: ELEVATIONS LAB FURNISHINGS
DRAWN BY: JD
PROJECT #: 200725.000
SHEET NUMBER: A9502