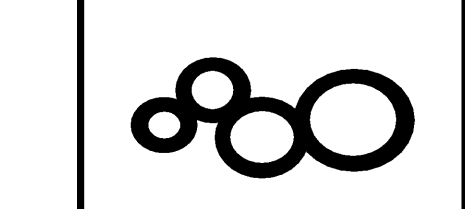


| ISSUED FOR | DATE |
|------------------|----------|
| BID PK #1 100 CD | 02.18.09 |
| BID PK #2 100 CD | 03.26.09 |
| 100% CD | 05.08.09 |
| CD-4 | 04.15.10 |
| ASH-10 | 08.13.10 |

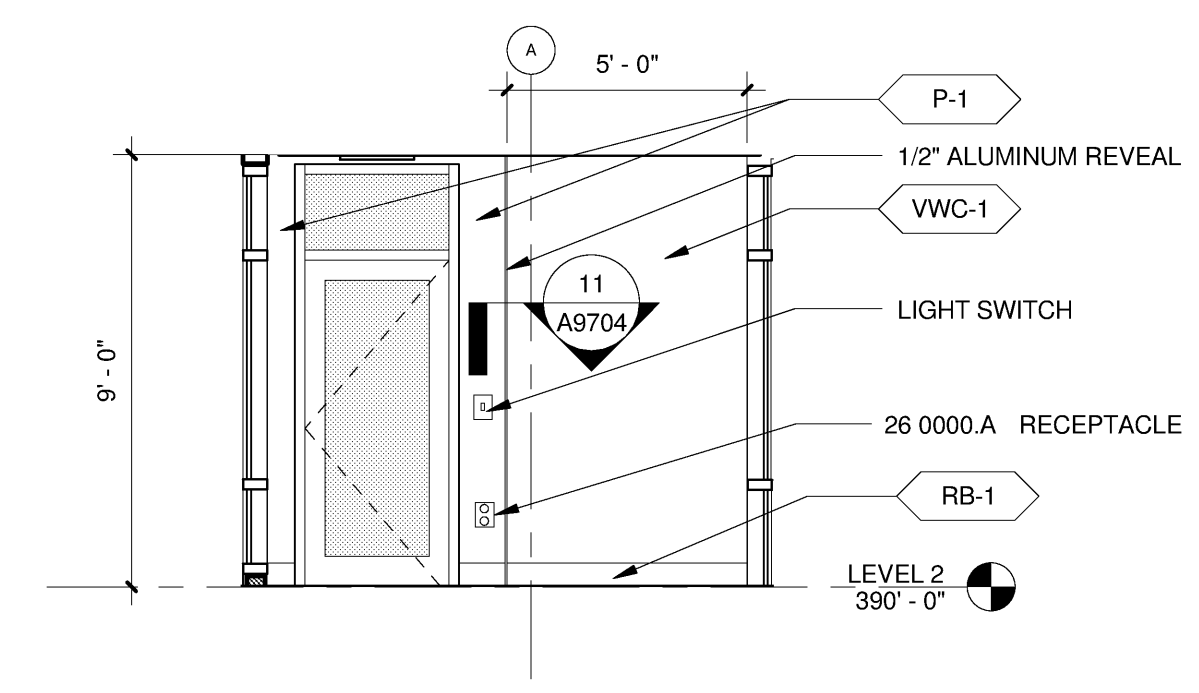
SANFORD CONSORTIUM FOR REGENERATIVE MEDICINE
 2880 TORREY PINES SCENIC DRIVE
 LA JOLLA, CALIFORNIA 92037



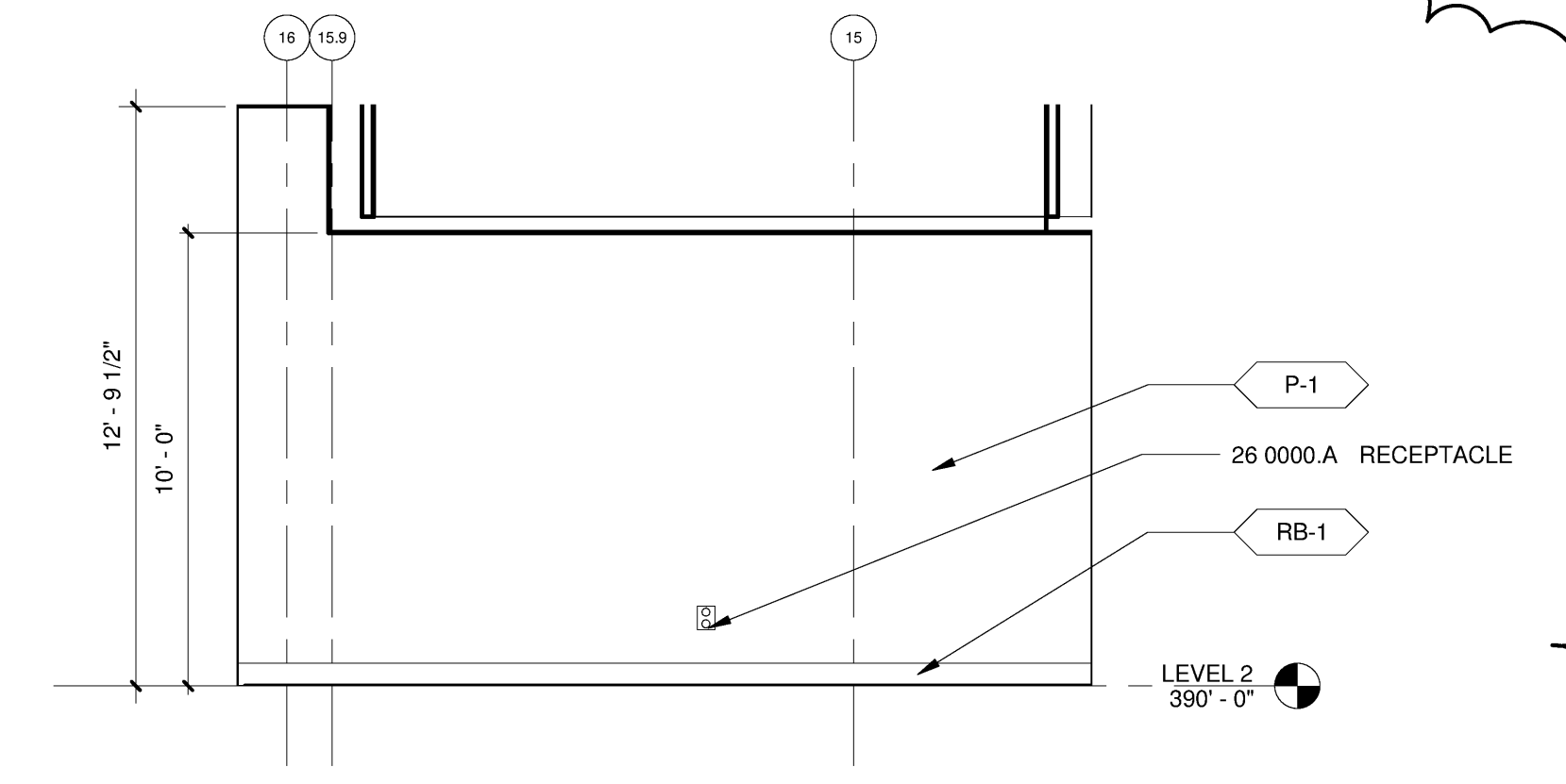
CONSULTANT
Lanford Phelps Consortium LLC
10000 Torrey Pines Road, Suite 100, La Jolla, CA 92037

FENTRESS ARCHITECTS
400 Westwood Drive, Suite 200, Westwood, CA 91361
DAVIS
2001 Park Avenue, San Diego, CA 92106

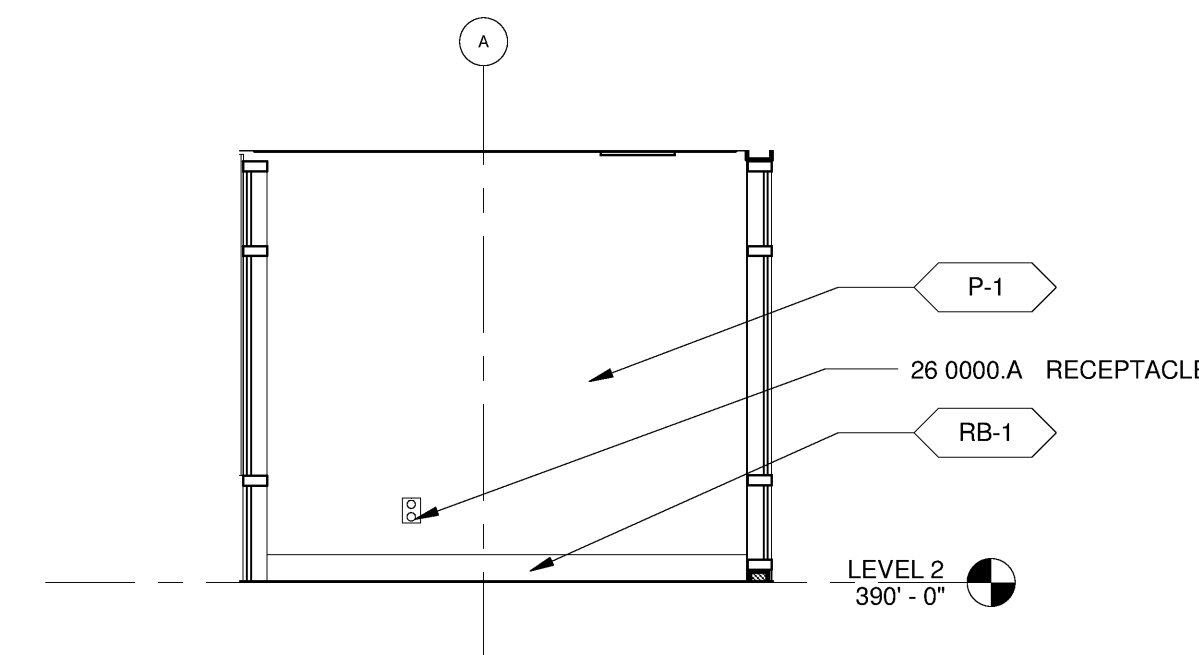
SHEET NAME
 INTERIOR ELEVATIONS
 DRAWN BY: Author
 PROJECT #: 200725.000
 SHEET NUMBER
A8223



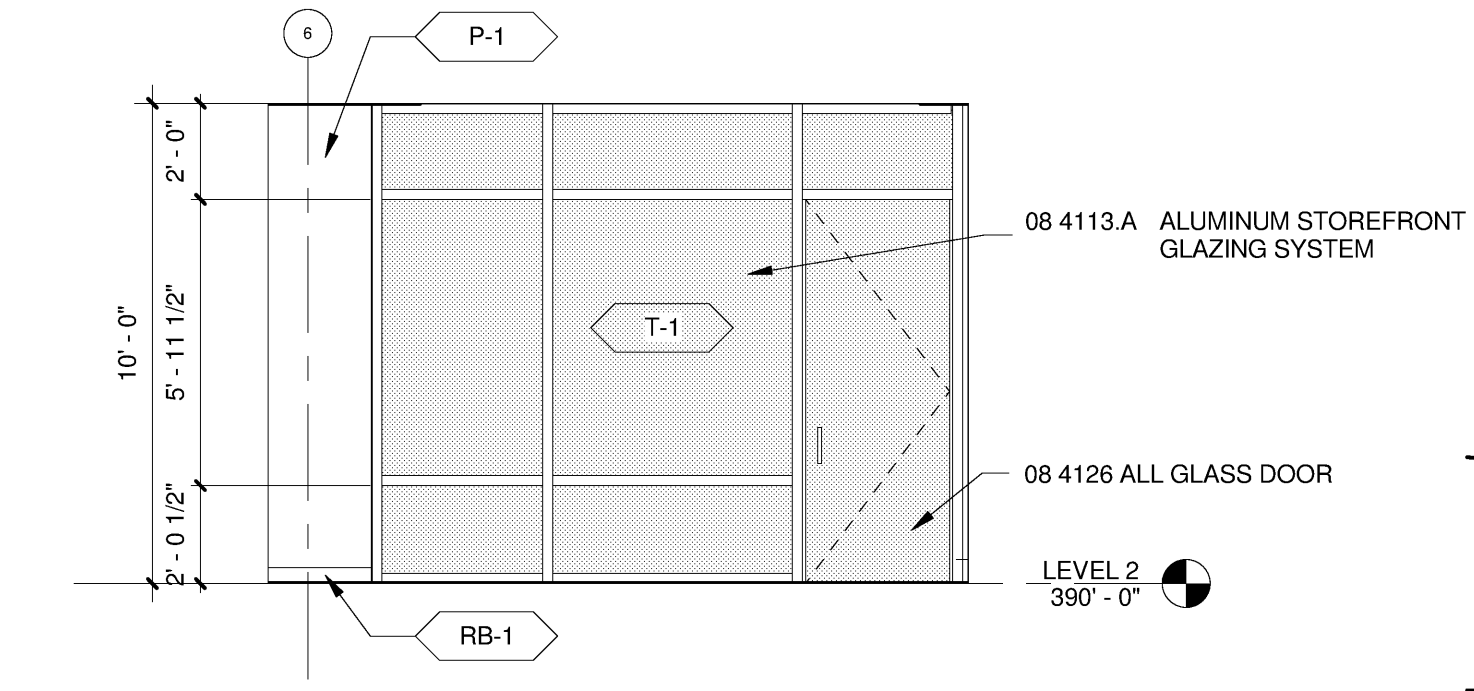
10 JUNIOR OFFICE POD - SOUTH
A2221 | A8223 1/4" = 1'-0"



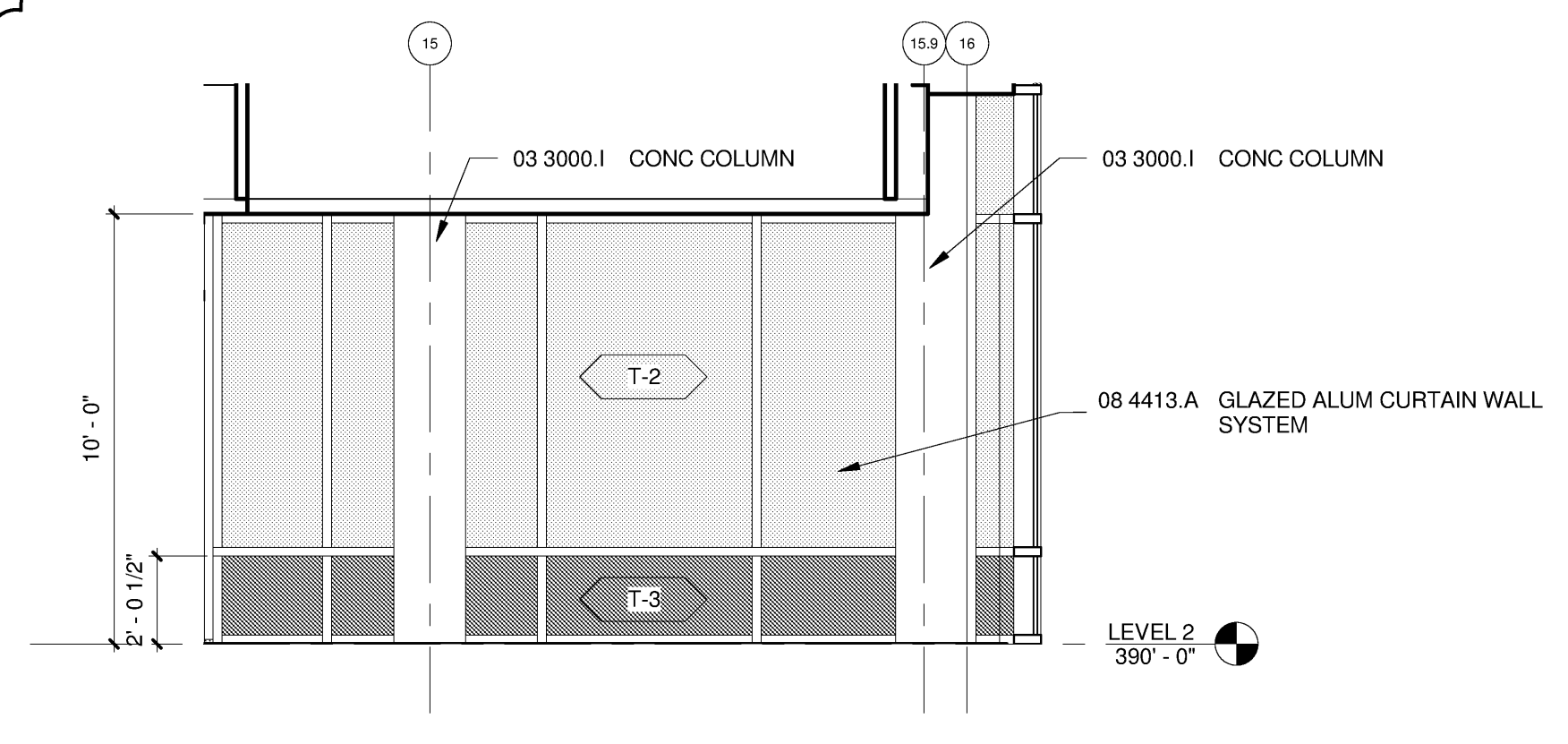
5 QUIET ROOM LEVEL 2-4 - EAST
A2221 | A8223 1/4" = 1'-0"



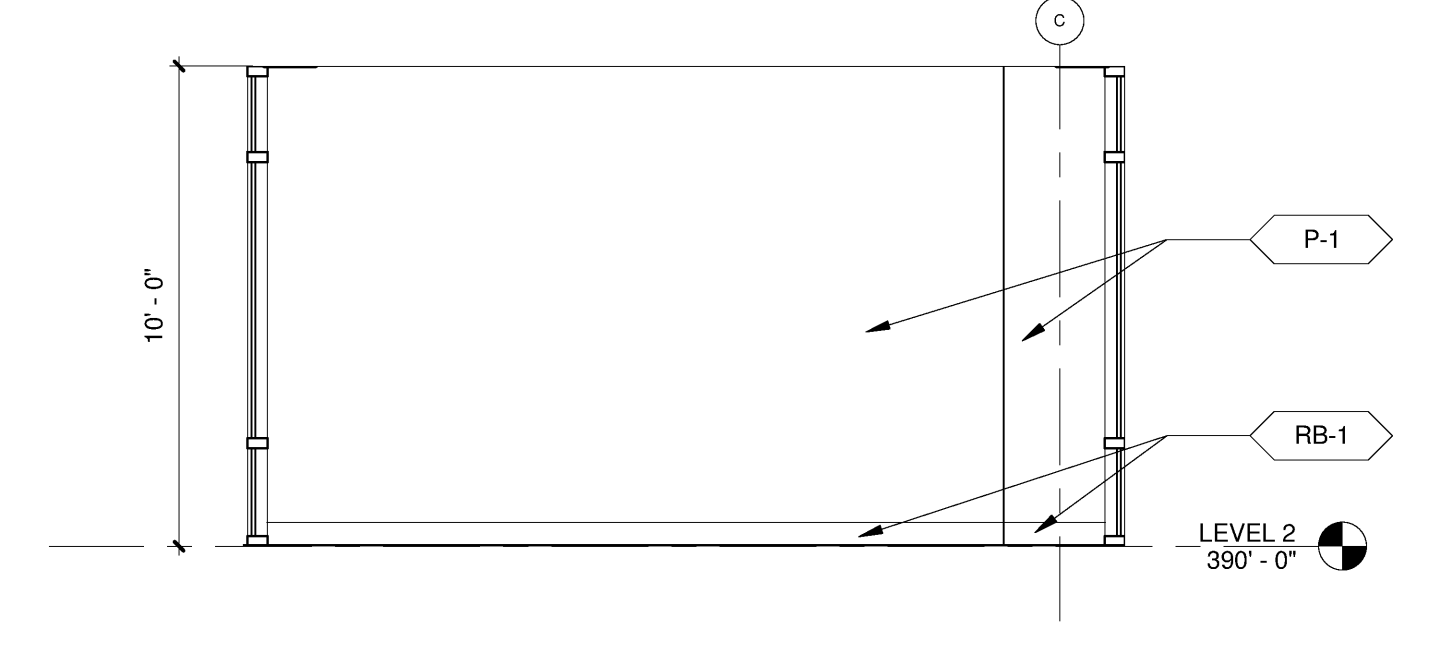
9 JUNIOR OFFICE POD - NORTH
A2221 | A8223 1/4" = 1'-0"



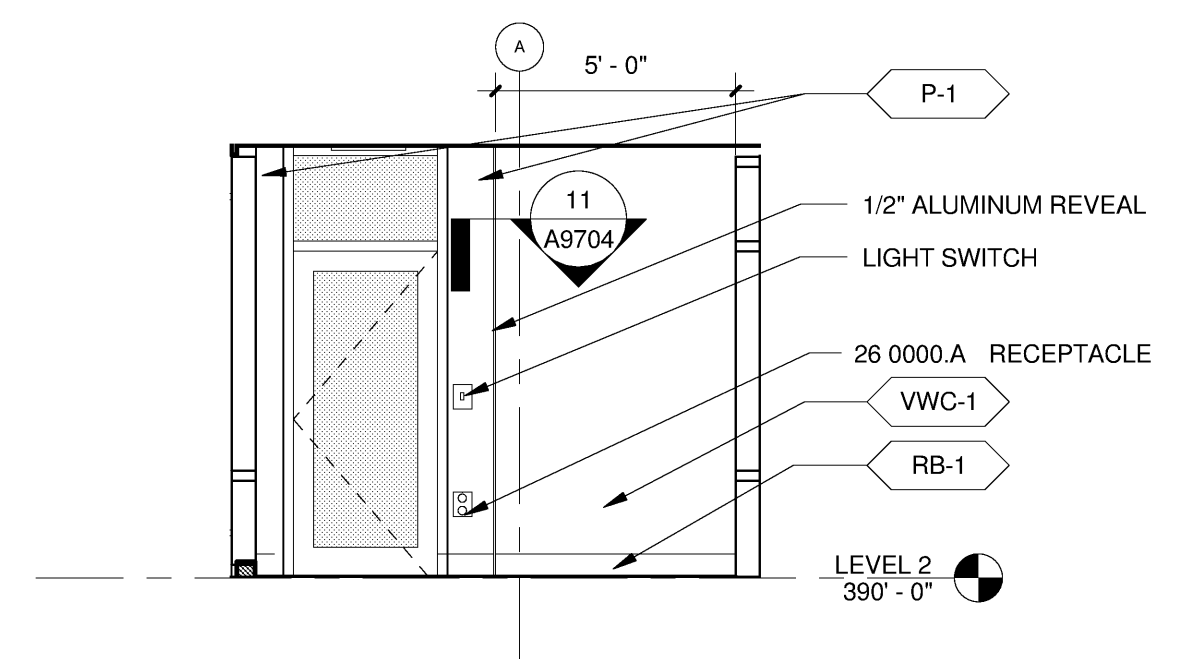
4 SOUTH BREAK OUT LEVEL 2-4 WEST
A2221 | A8223 1/4" = 1'-0"



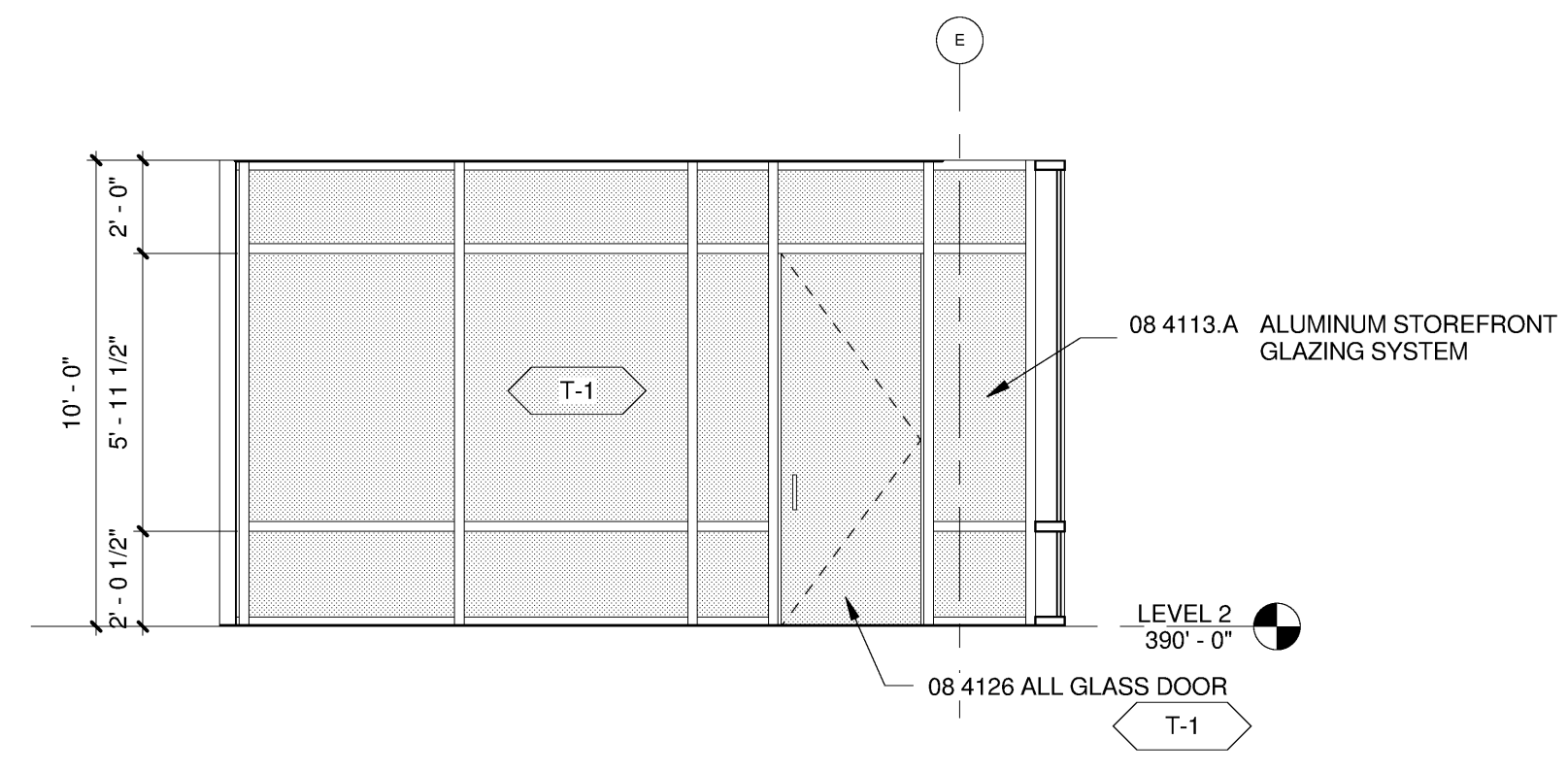
8 QUIET ROOM LEVEL 2-4 - WEST
A2221 | A8223 1/4" = 1'-0"



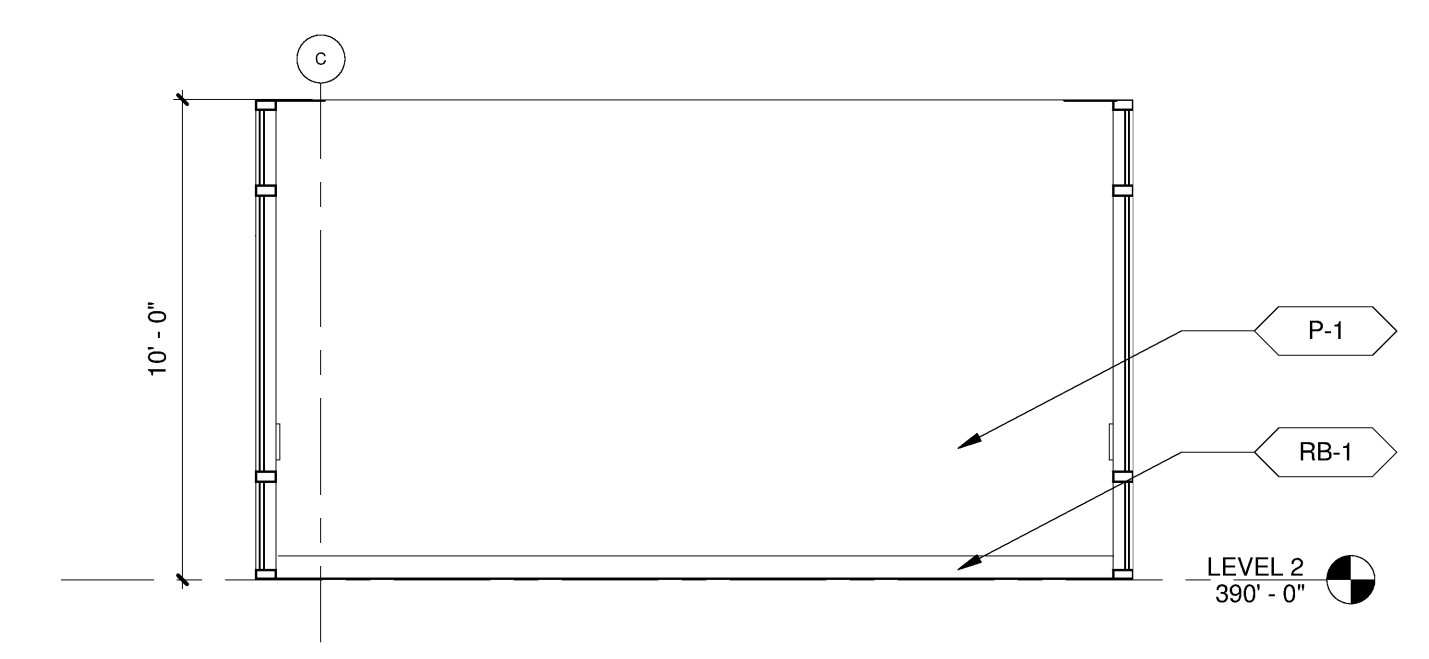
3 SOUTH BREAK OUT LEVEL 2-4 SOUTH
A2221 | A8223 1/4" = 1'-0"



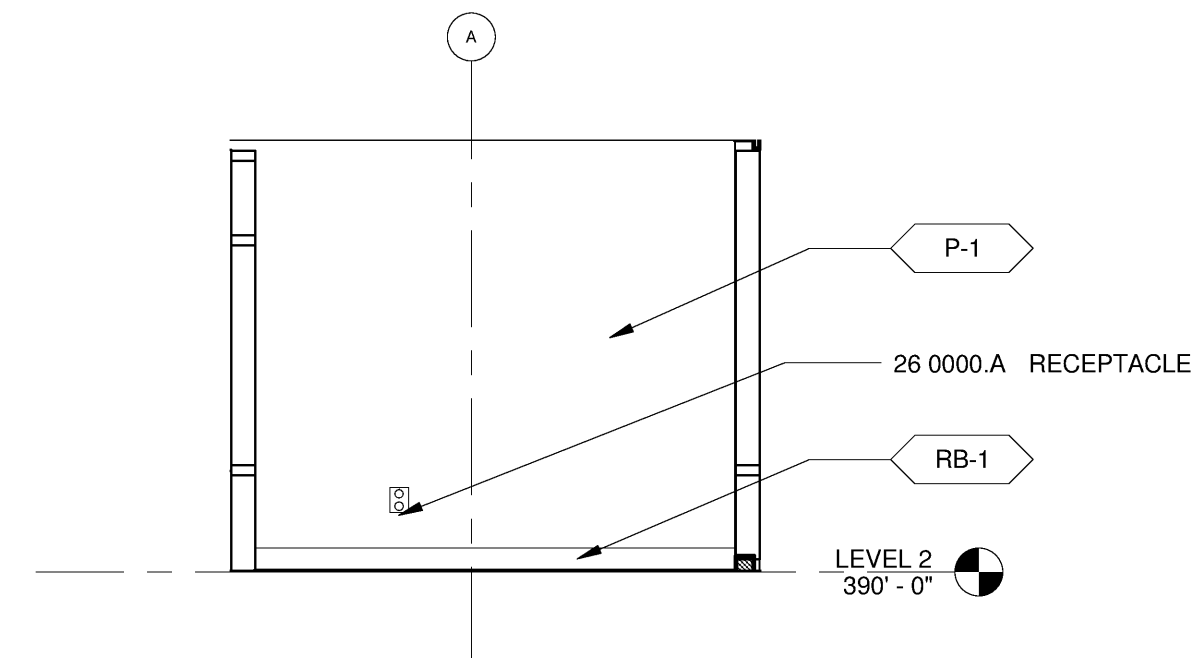
12 SENIOR OFFICE POD - SOUTH
A2221 | A8223 1/4" = 1'-0"



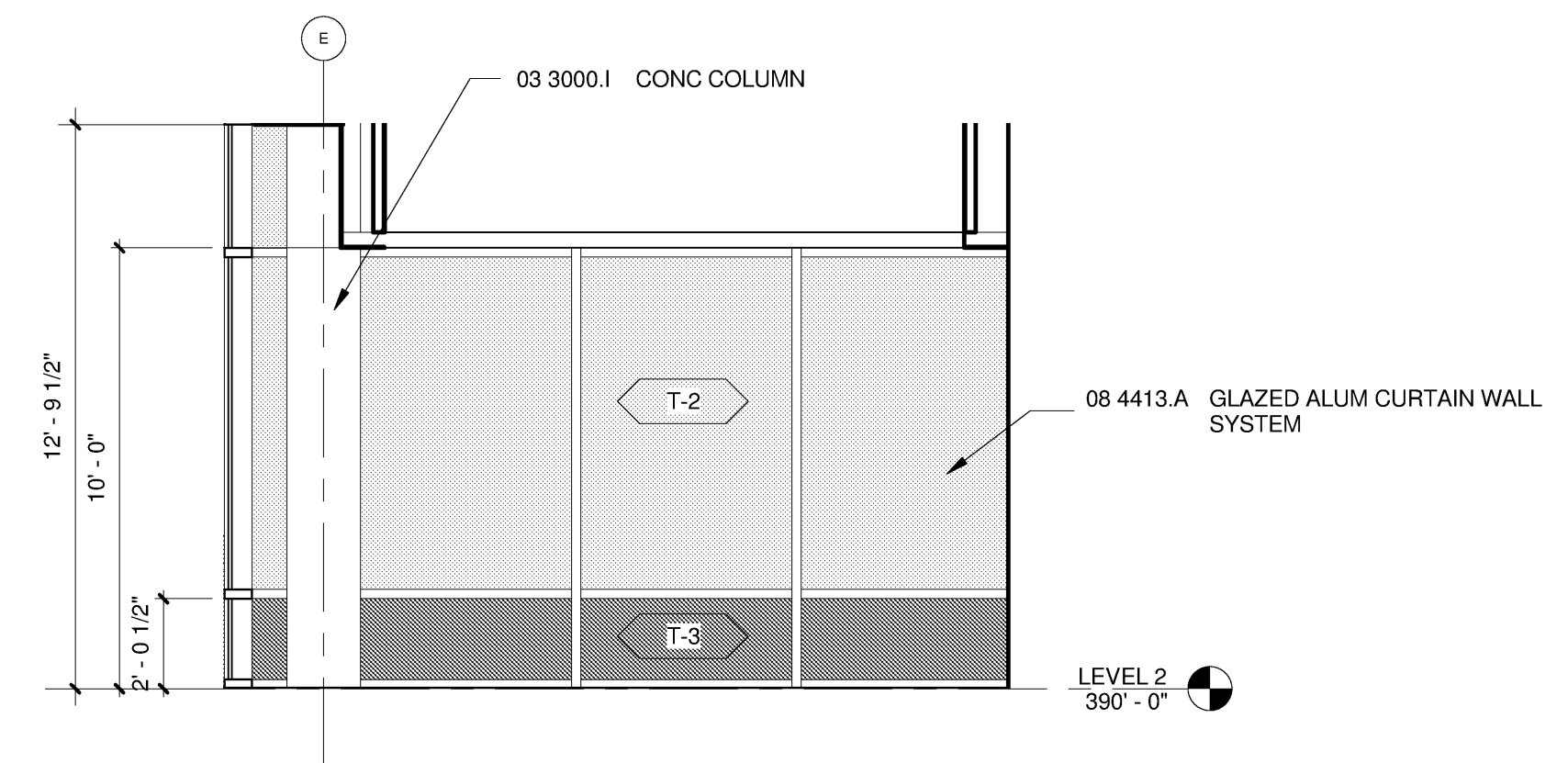
7 QUIET ROOM LEVEL 2-4 - SOUTH
A2221 | A8223 1/4" = 1'-0"



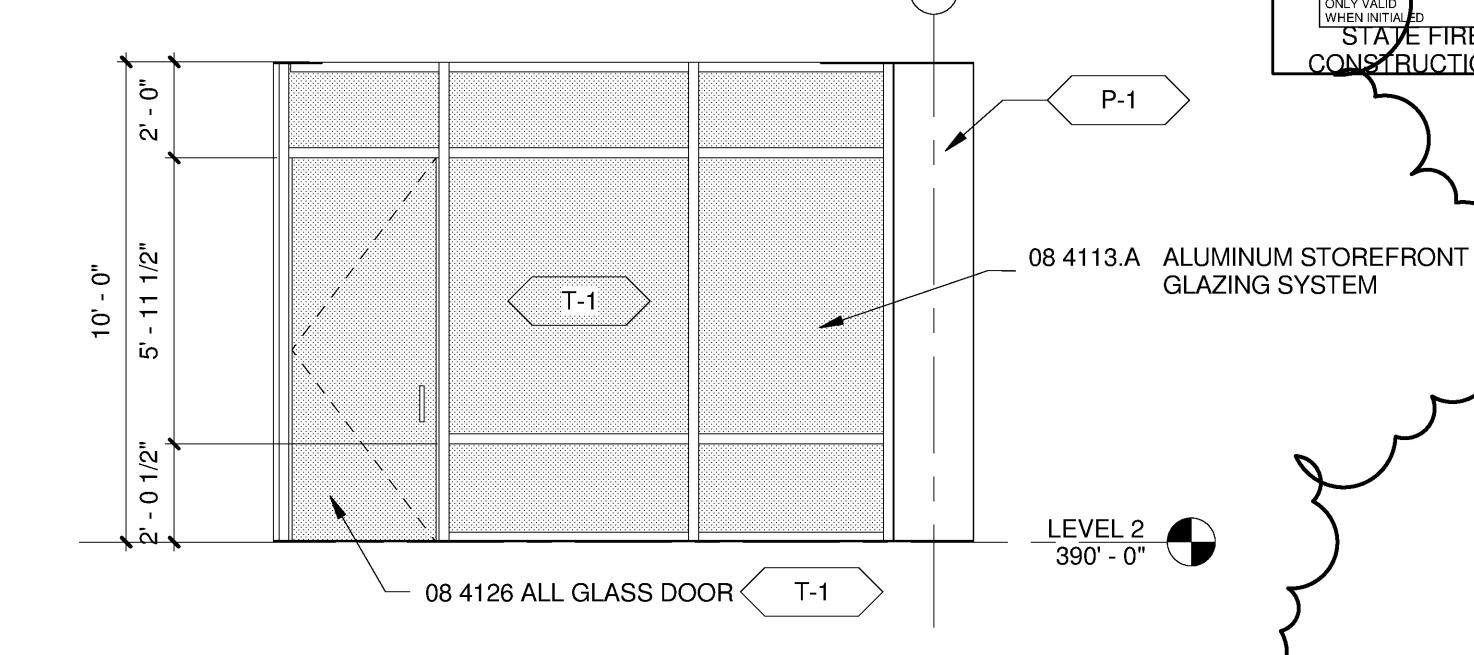
2 SOUTH BREAK OUT LEVEL 2-4 NORTH
A2221 | A8223 1/4" = 1'-0"



11 SENIOR OFFICE POD - NORTH
A2221 | A8223 1/4" = 1'-0"



6 QUIET ROOM LEVEL 2-4 - NORTH
A2221 | A8223 1/4" = 1'-0"



1 SOUTH END EAST BREAK OUT LEVEL 2-4 EAST
A2221 | A8223 1/4" = 1'-0"

APPROVED
 PRE-AND-FINISH ONLY
 4-15-2010
 FIRE MARSHAL
 CONSTRUCTION SERVICES

8/13/2010 2:52:43 PM
 C:\P\A\Revit\Proj\A8223\SCRM_Mesh.DWG

Warning: It is a violation of the law for any person, unless acting under the direction of a licensed architect, to alter an item in any way. If an item in this document is altered, the altering architect, if other than the architect of record, shall affix to the item his seal and the notation "altered by" followed by his signature and the date of such alteration, and the specific description of the alteration.