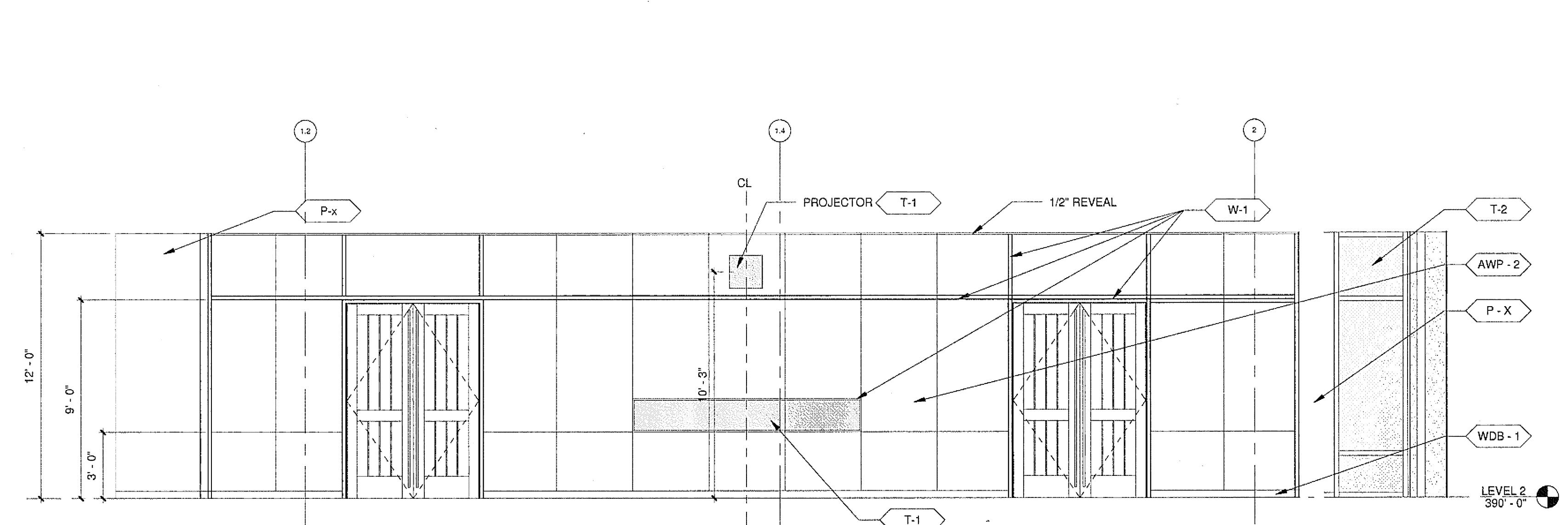
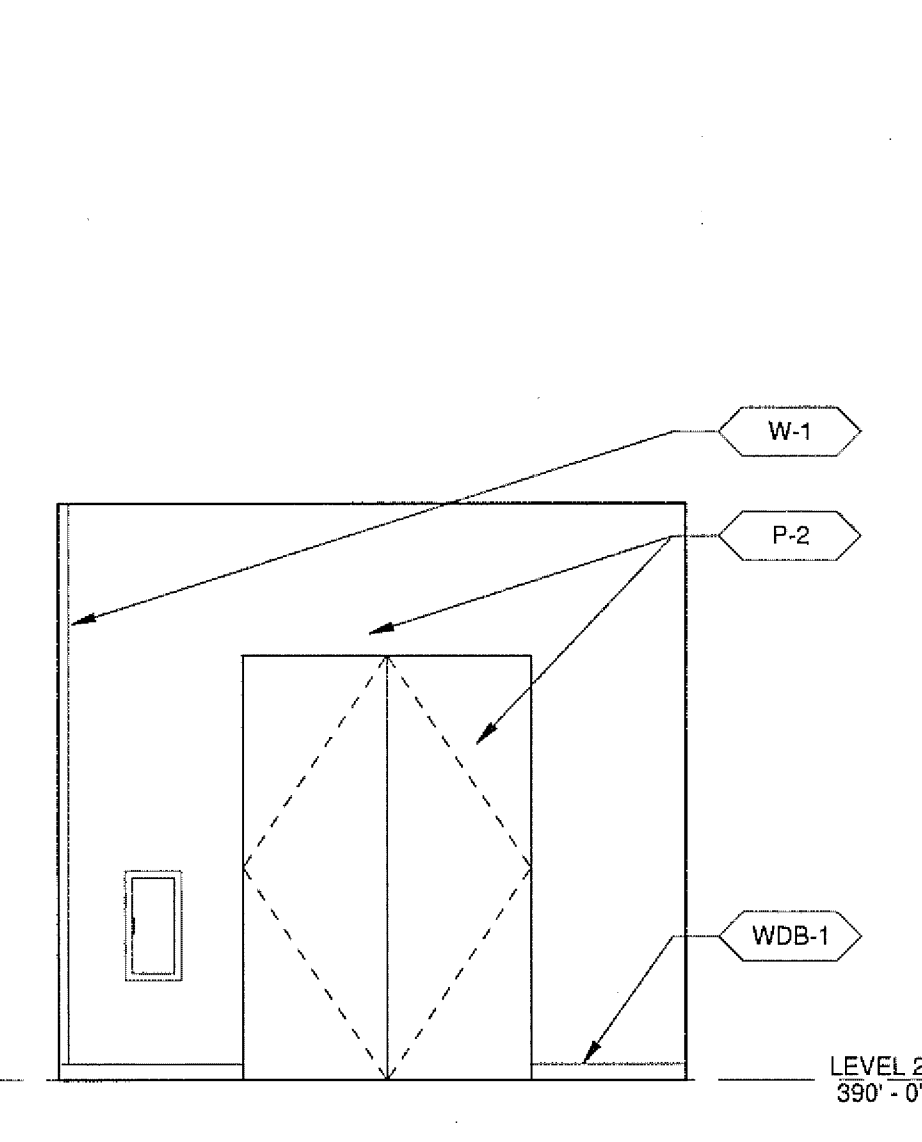


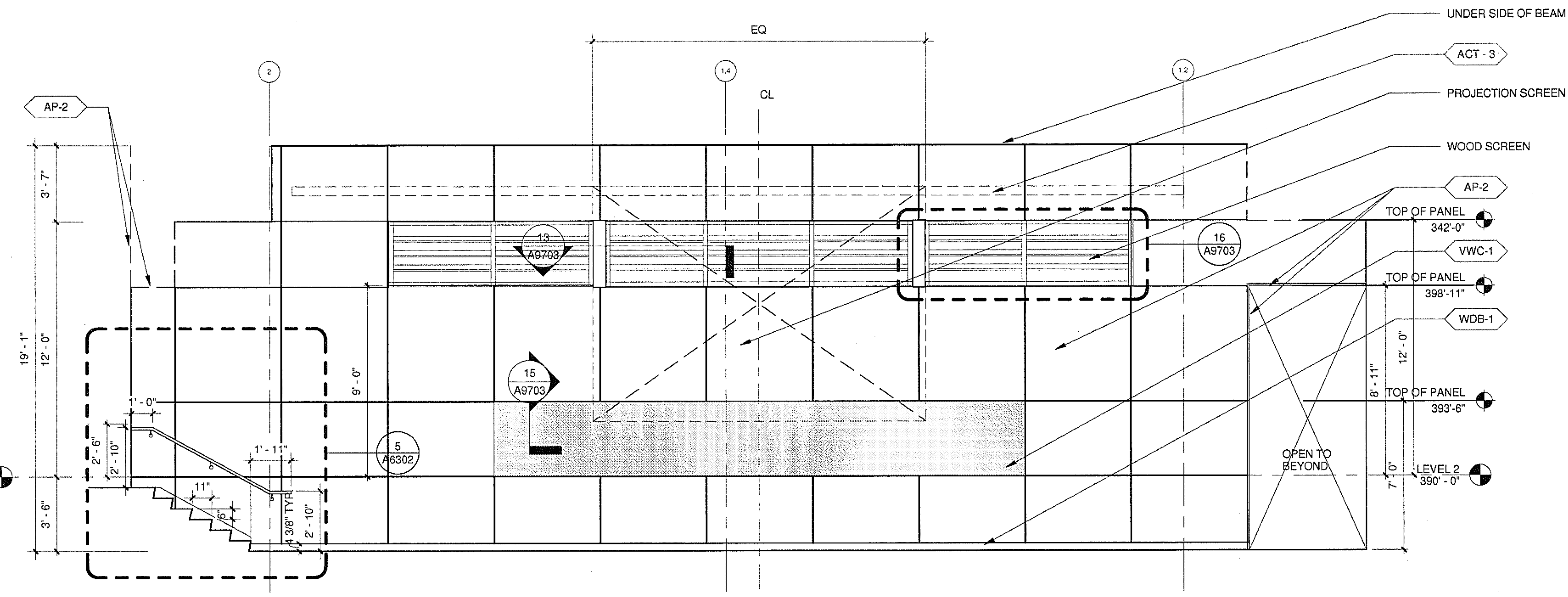
ISSUED FOR	DATE
BID PK #1 100 CD	02.15.09
BID PK #2 100 CD	03.26.09
100% CD	05.08.09
ADA REVIEW	08.28.09
CD-4	01.07.10
CD-4	04.15.10



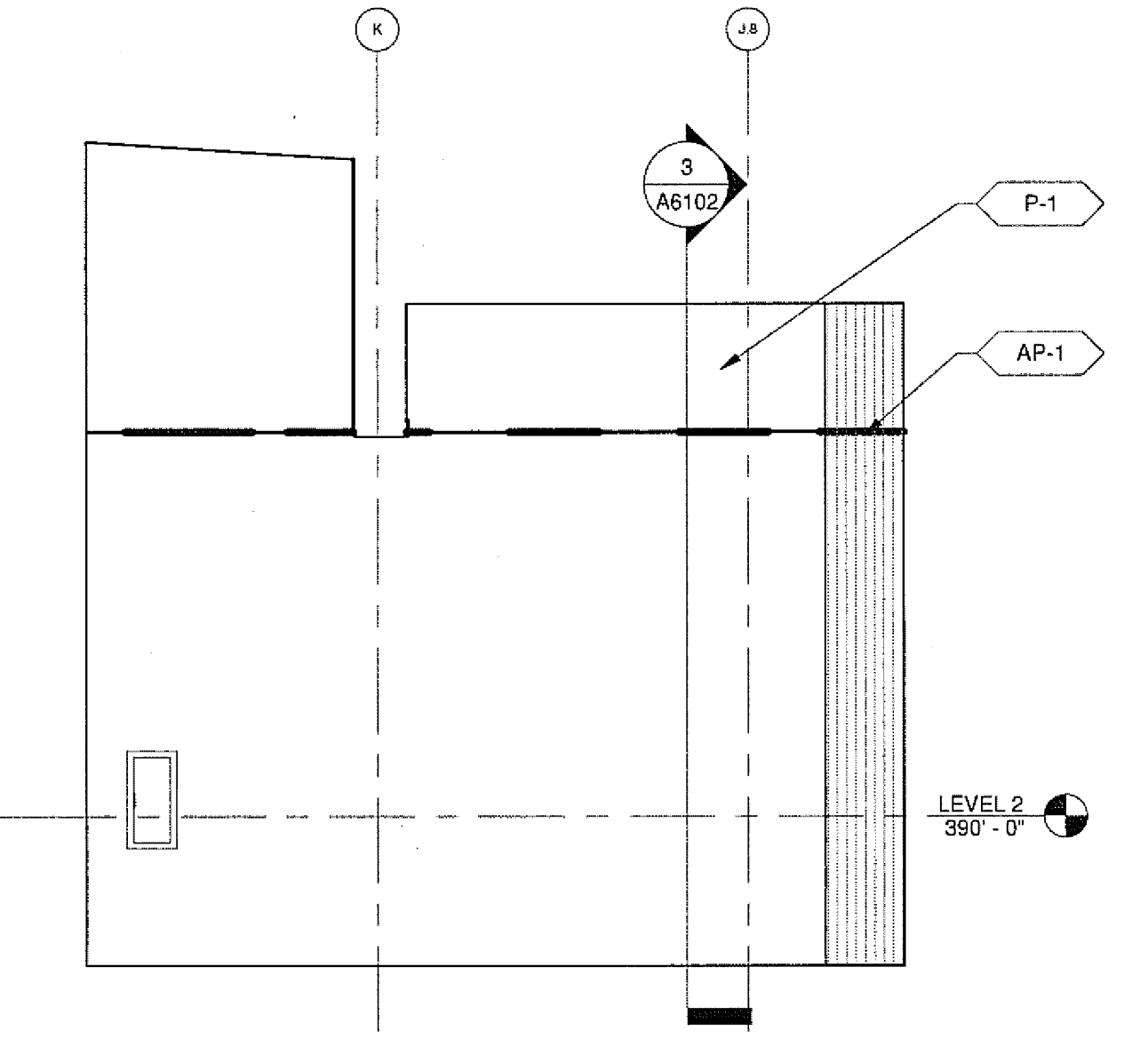
12 AUDITORIUM RM 2020 - WEST
A2224|A8207 1/4" = 1'-0"



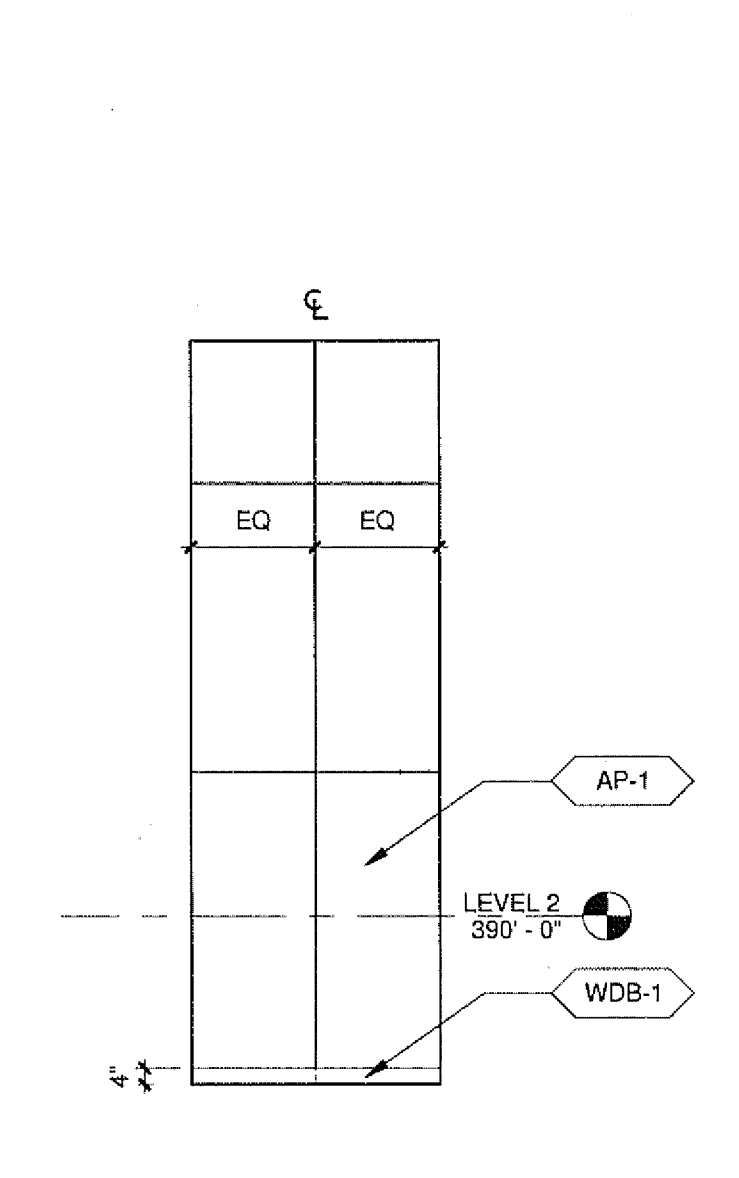
8 POPOUT SOUTH ELEV - A
A2224|A8207 1/4" = 1'-0"



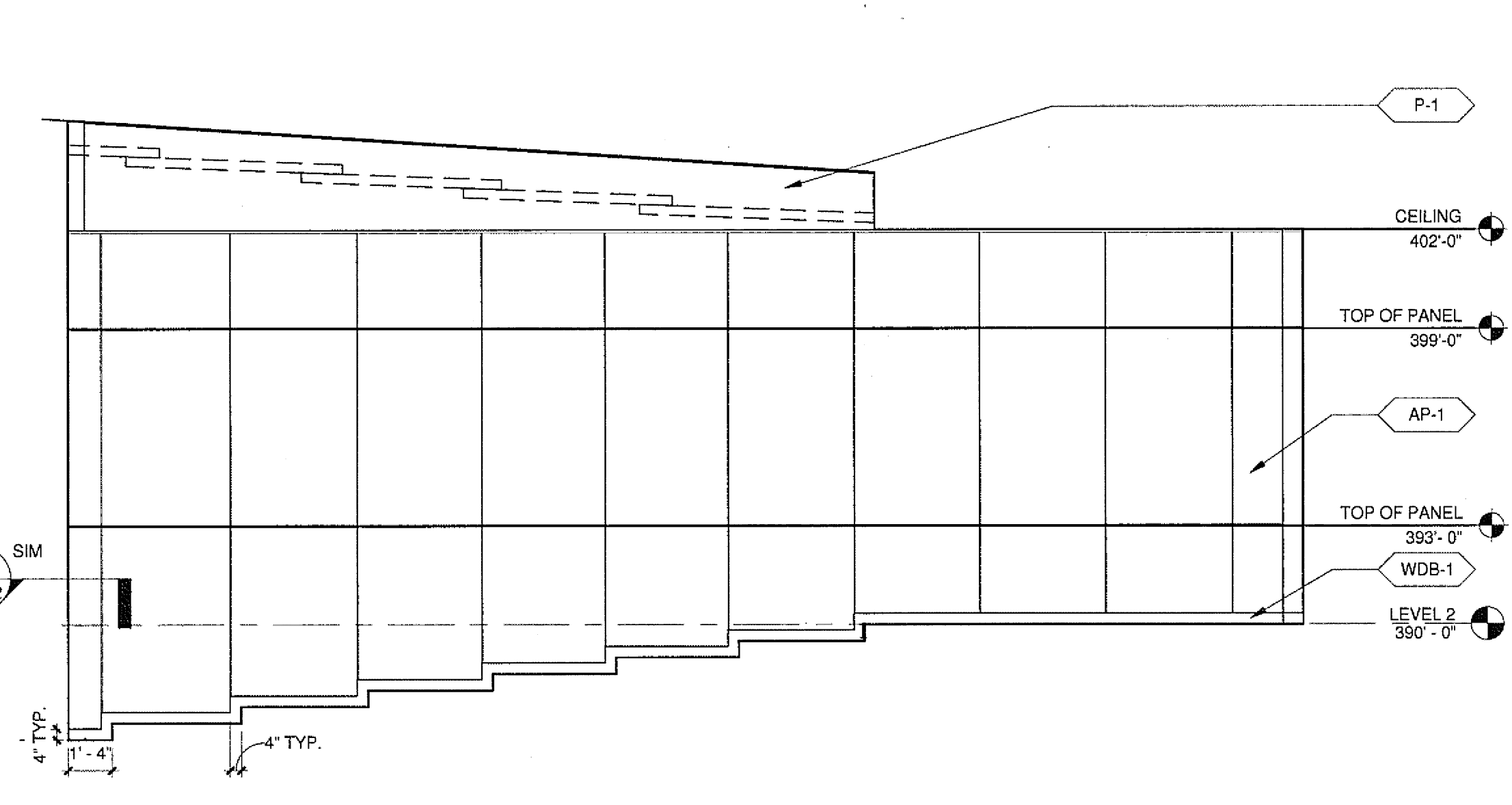
4 AUDITORIUM RM 2020 - EAST
A2224|A8207 1/4" = 1'-0"



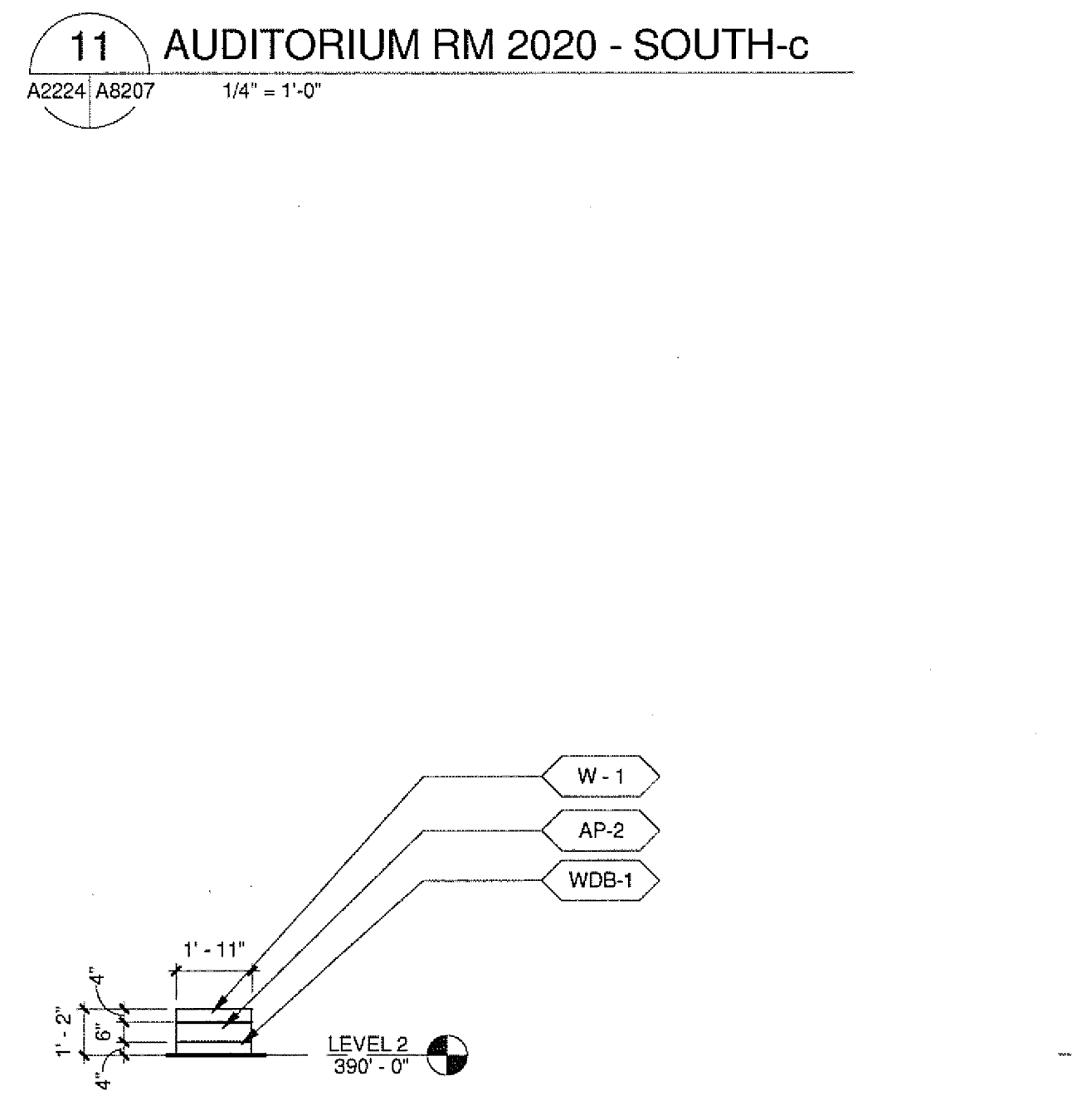
11 AUDITORIUM RM 2020 - SOUTH-c
A2224|A8207 1/4" = 1'-0"



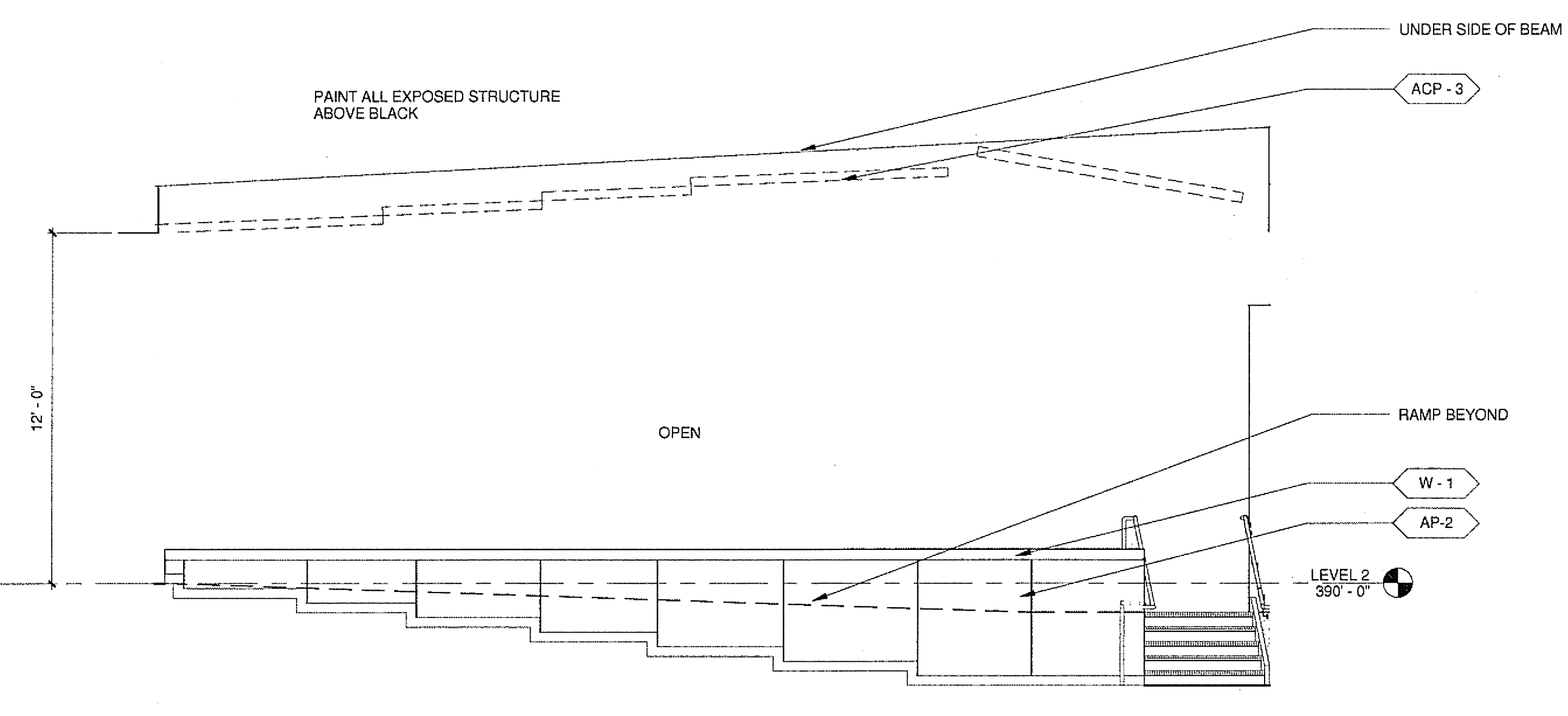
7 AUDITORIUM RM 2020 - SOUTH - B
A2224|A8207 1/4" = 1'-0"



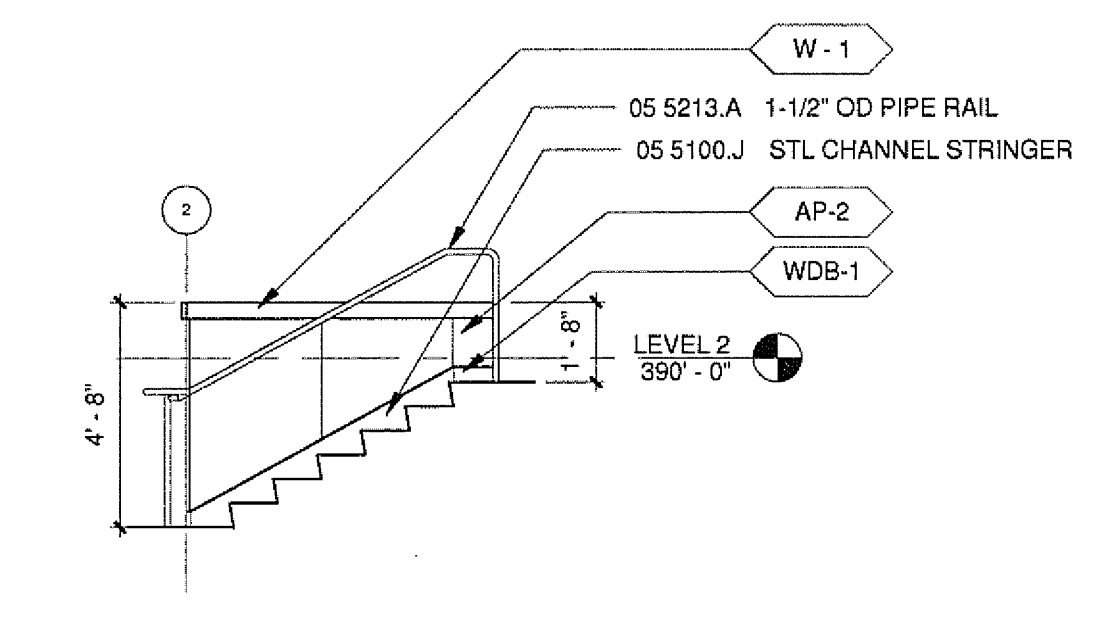
3 AUDITORIUM RM 2020 SOUTH - A
A2224|A8207 1/4" = 1'-0"



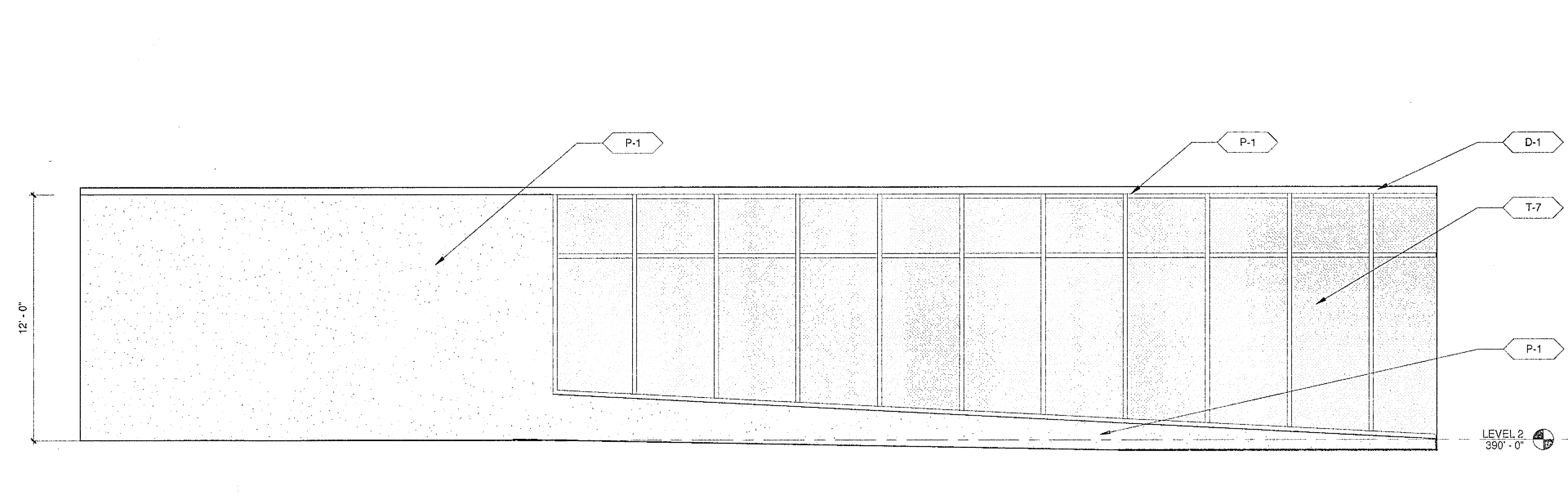
10 POPOUT ELEV. EAST
A2224|A8207 1/4" = 1'-0"



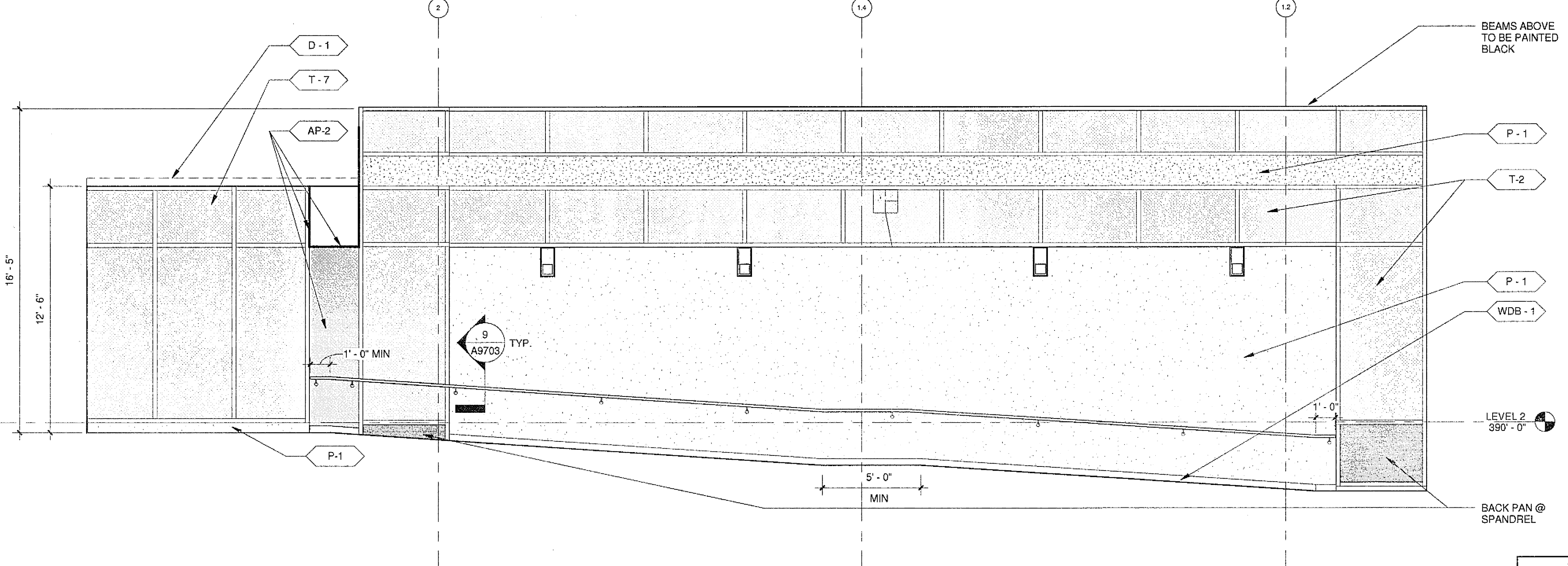
6 NORTH ELEVATION - AUDITORIUM
A2224|A8207 1/4" = 1'-0"



2 POPOUT WEST ELEV.
A2224|A8207 1/4" = 1'-0"



9 AUDITORIUM RM 2020 - NORTH
A2224|A8207 1/4" = 1'-0"

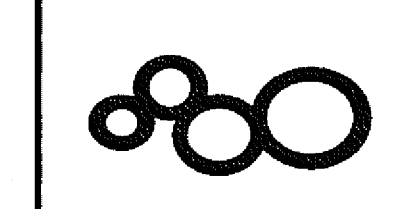


1 EAST ELEV @ AUDITORIUM @ RAMP
A2224|A8207 1/4" = 1'-0"

DATE	DESCRIPTION
04-15-2010	PRELIMINARY DRAWINGS
	PROGRESS DRAWINGS
	REVIEW DRAWINGS
	CONSTRUCTION DRAWINGS

APPROVED
FIRE AND PANIC ONLY
04-15-2010
STATE FIRE MARSHAL
CONSTRUCTION SERVICES

SANFORD CONSORTIUM FOR REGENERATIVE MEDICINE
2880 TORREY PINES SCENIC DRIVE
LA JOLLA, CALIFORNIA 92037



CONSULTANT
Landscape/Phelps Consortium LLC
485 West Broadway, Suite 1000, San Diego, CA 92101
619.594.0000

FENTRESS ARCHITECTS
401 Broadway, Suite 200
SAN DIEGO, CA 92101
619.594.0000
DAVIS ARCHITECTS
ARCHITECTS
1000 W. BROADWAY, SUITE 200
SAN DIEGO, CA 92101
619.594.0000

STAMP
LICENSED ARCHITECT
Jeffrey W. Olson
No. C-31761
REX 07/31/11
3-014

SHEET NAME
INTERIOR ELEVATIONS
DRAWN BY: Author
PROJECT #: 200725.000
SHEET NUMBER

A8207

4/15/2010 10:05:50 AM
C:\P\Revit\Projects\200725_SCFM.dwg

Warning: It is a violation of the law for any person, unless acting under the direction of a licensed architect, to alter an item in any way. If an item in this document is altered, the altering architect, if other than the architect of record, shall affix the item his seal and the notation "altered by" followed by his signature and the date of such alteration, and the specific description of the alteration.