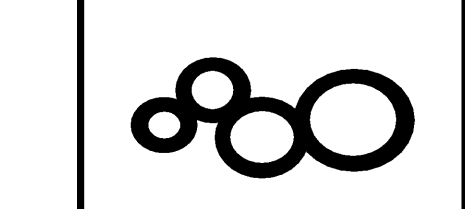


ISSUED FOR	DATE
BID PK #1 100 CD	02.18.09
BID PK #2 100 CD	03.26.09
100% CD	05.08.09
CD-3	02.26.10
CD-4	04.15.10
ASI - 021	11.05.10
ASI 028	01.21.11

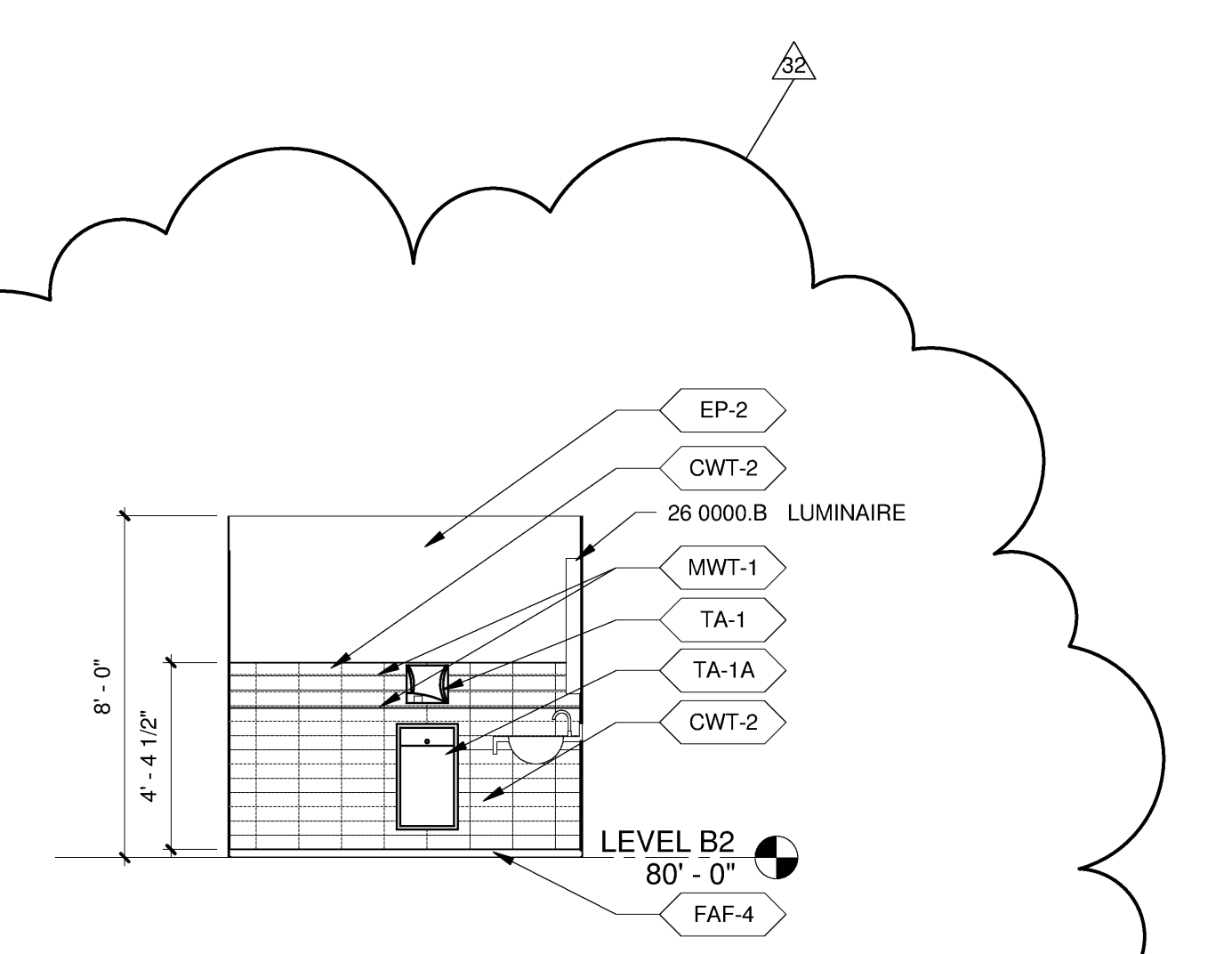
**SANFORD CONSORTIUM FOR REGENERATIVE MEDICINE**  
 2880 TORREY PINES SCENIC DRIVE  
 LA JOLLA, CALIFORNIA 92037



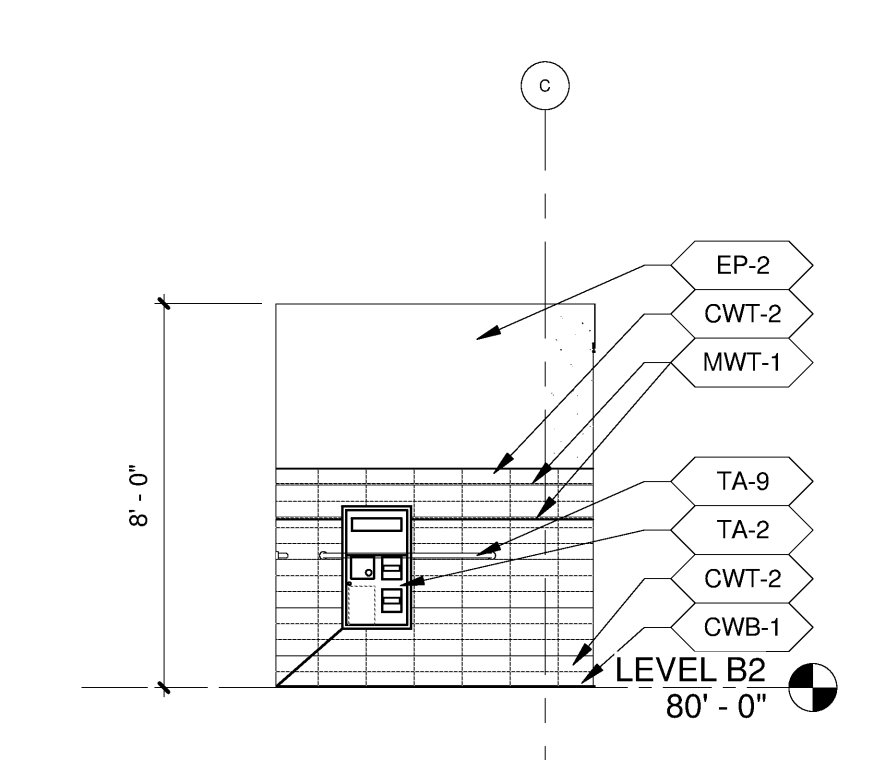
CONSULTANT  
**Larkford/Phelps Consortium LLC**  
10000 Torrey Pines Road, Suite 100, La Jolla, CA 92037  
 619.434.8800

**FENTRESS ARCHITECTS**  
421 Westwood Drive, Suite 200  
 Westwood, CA 90231  
 310.772.1888  
**DAVIS**  
2001 Park Avenue  
 San Diego, CA 92106

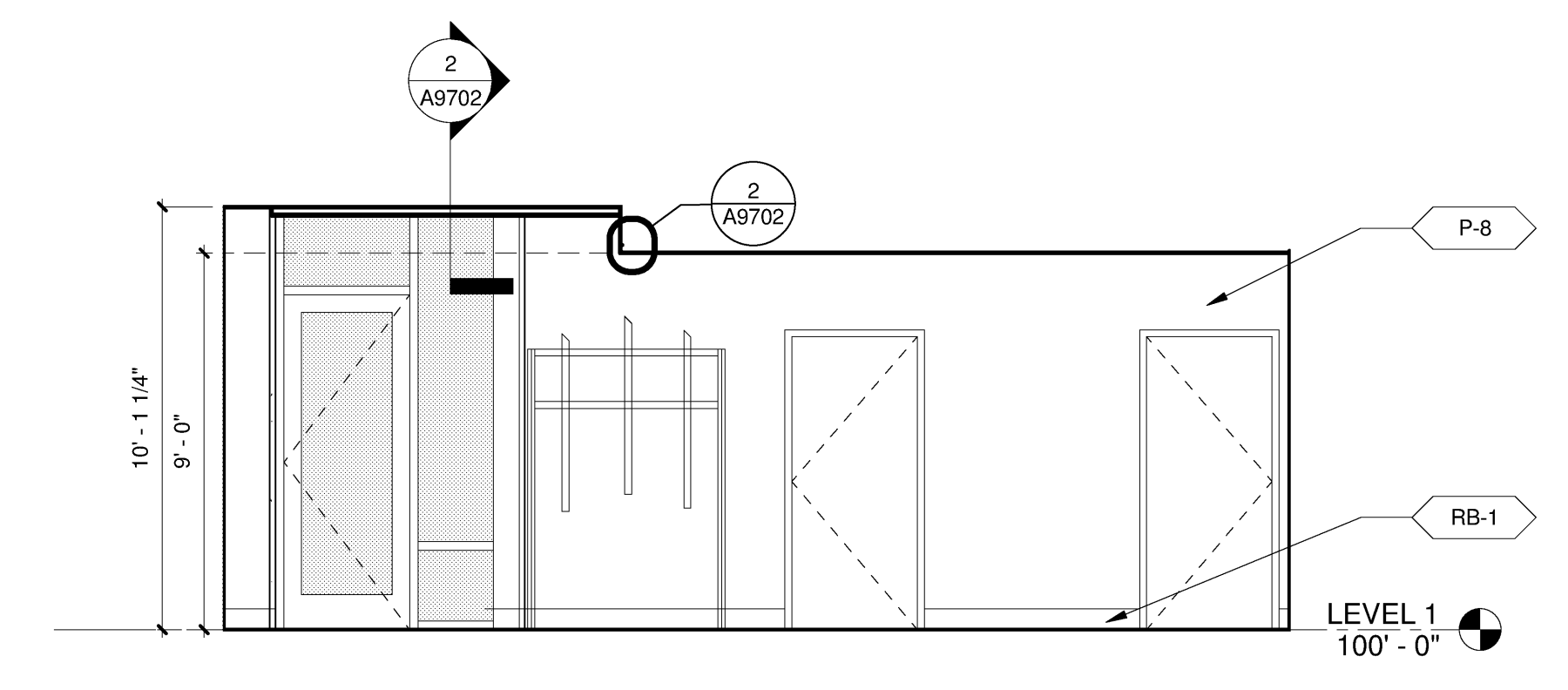
STAMP  
 SHEET NAME  
 INTERIOR ELEVATIONS  
 DRAWN BY: Author  
 PROJECT #: 200725.000  
 SHEET NUMBER  
**A8205**



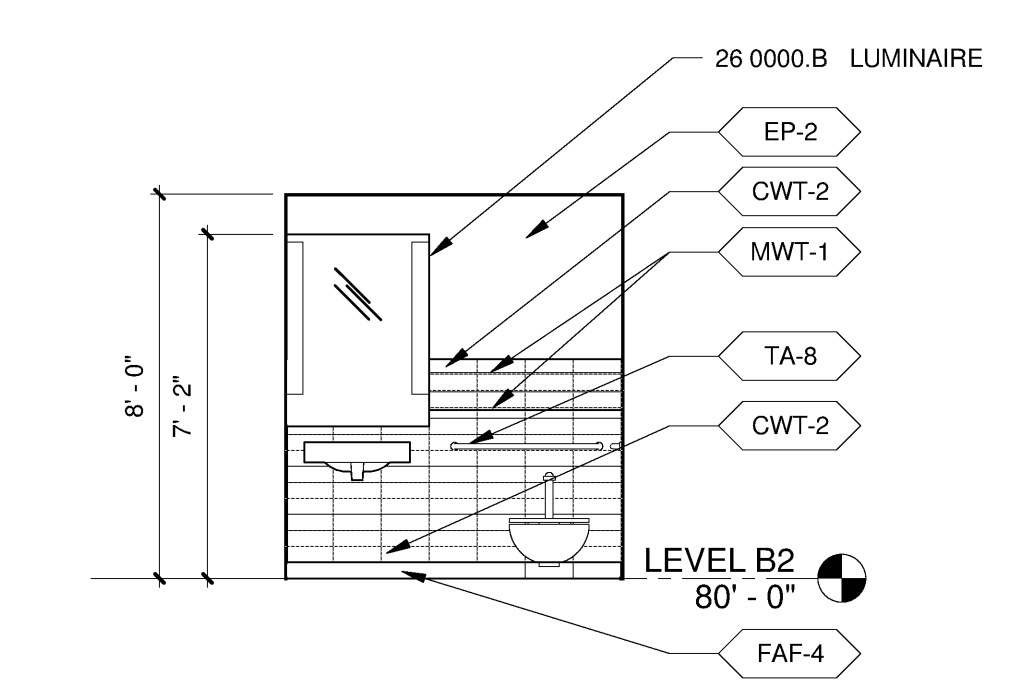
**14 TOILET RM B001A-SOUTH**  
A2701/A8205 1/4" = 1'-0"



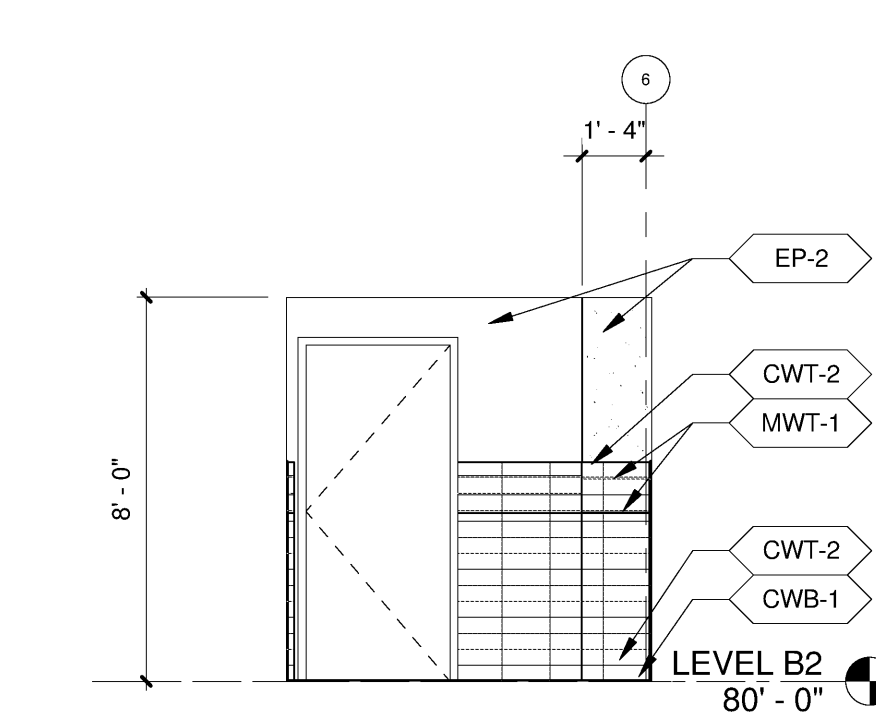
**9 TOILET RM B001B-SOUTH**  
A2701/A8205 1/4" = 1'-0"



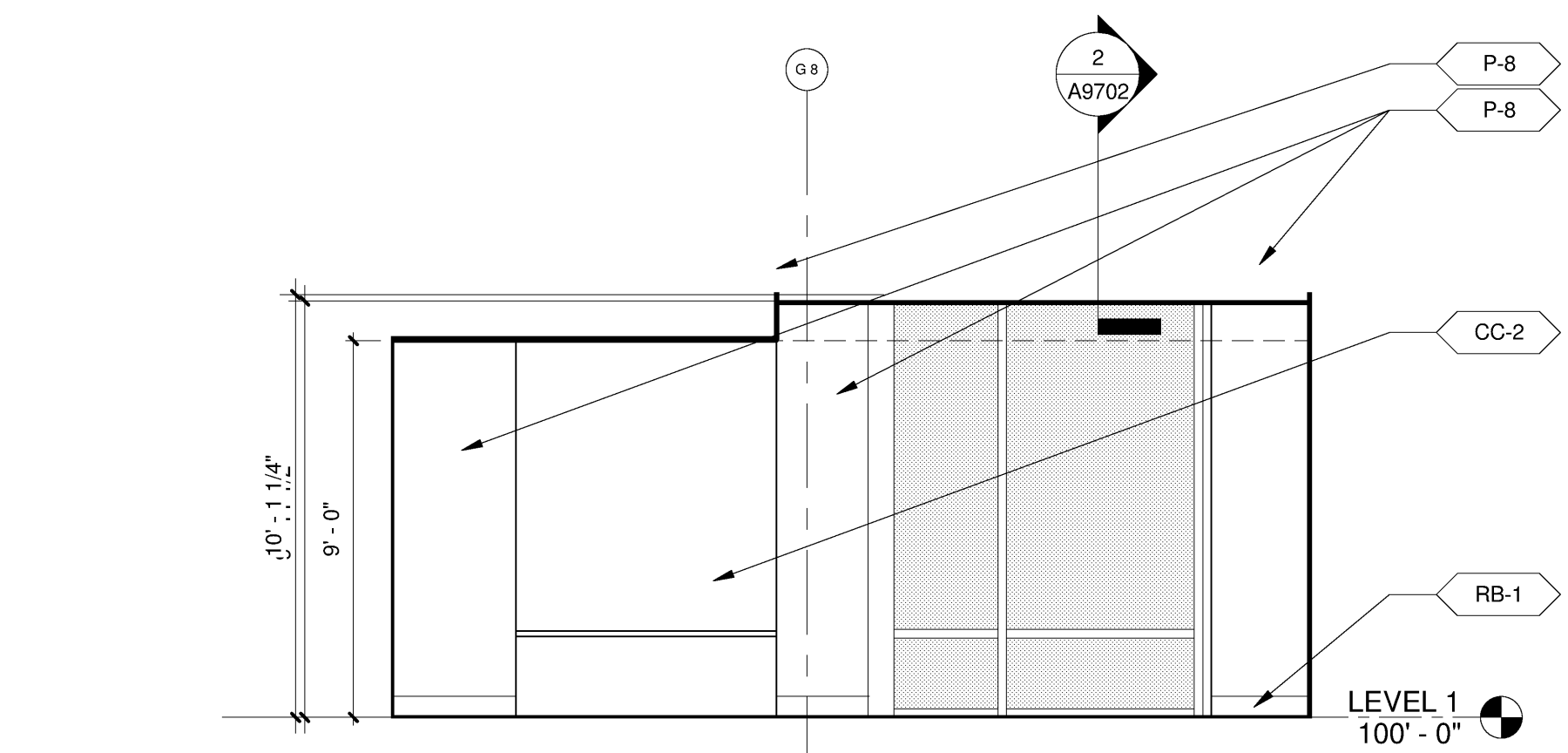
**4 BIKE STOR. 1020 - WEST**  
A2214/A8205 1/4" = 1'-0"



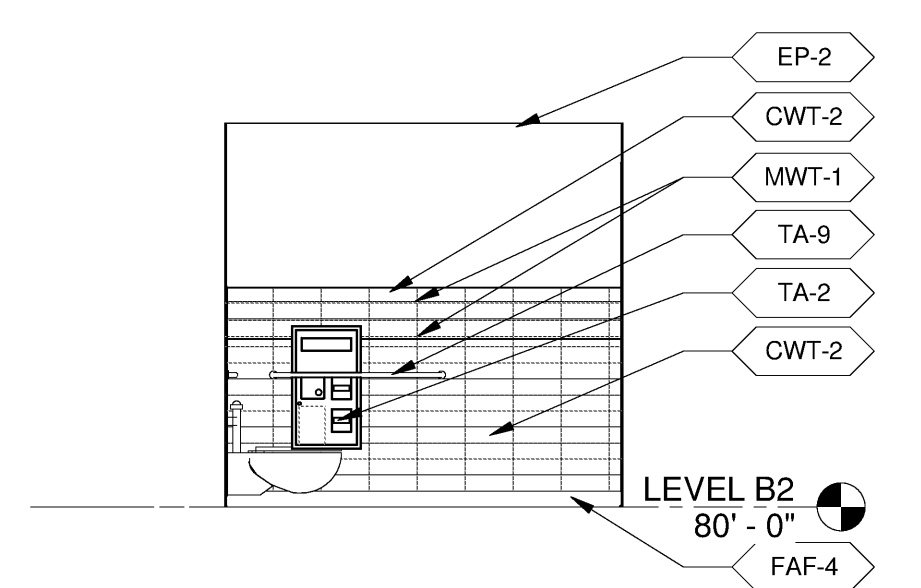
**13 TOILET RM B001A-WEST**  
A2702/A8205 1/4" = 1'-0"



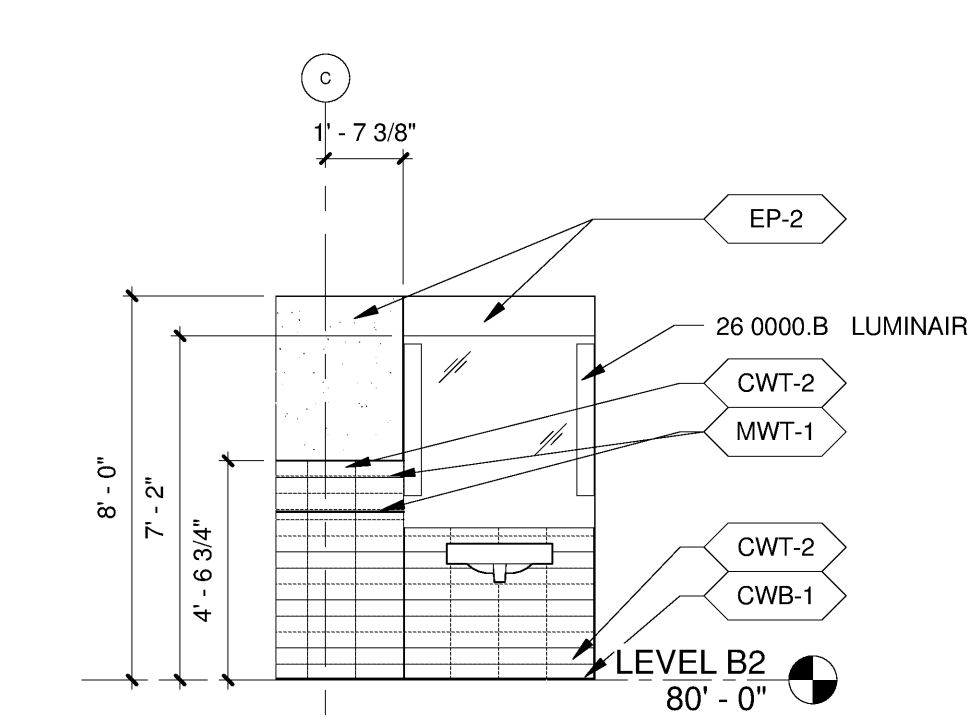
**8 TOILET RM B001B-WEST**  
A2701/A8205 1/4" = 1'-0"



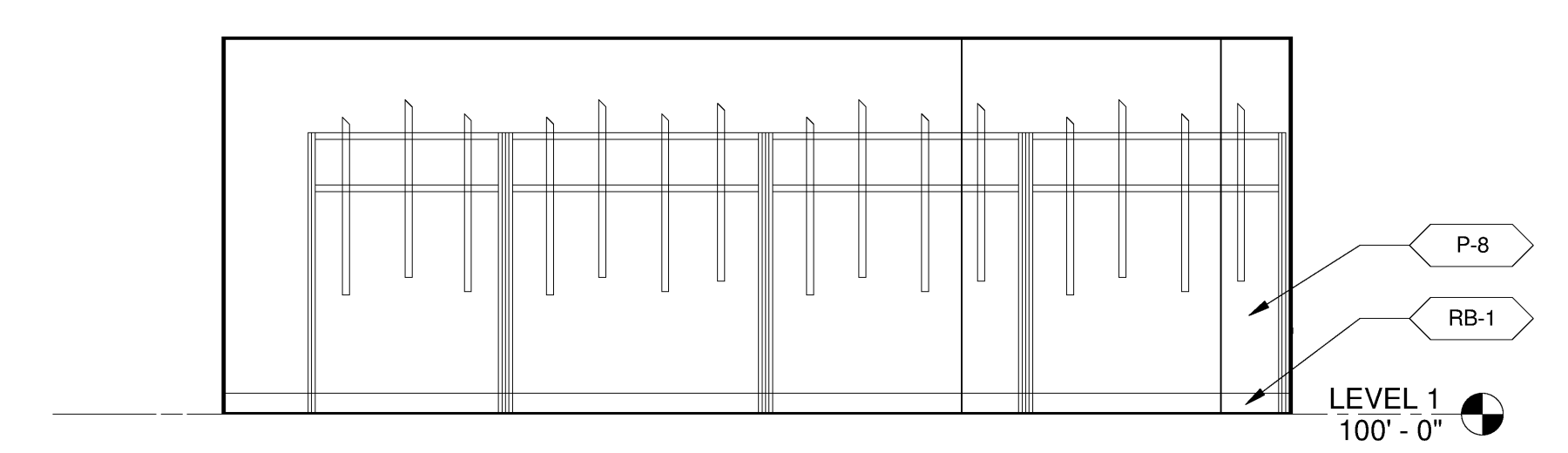
**3 BIKE STOR. 1020 - SOUTH**  
A2214/A8205 1/4" = 1'-0"



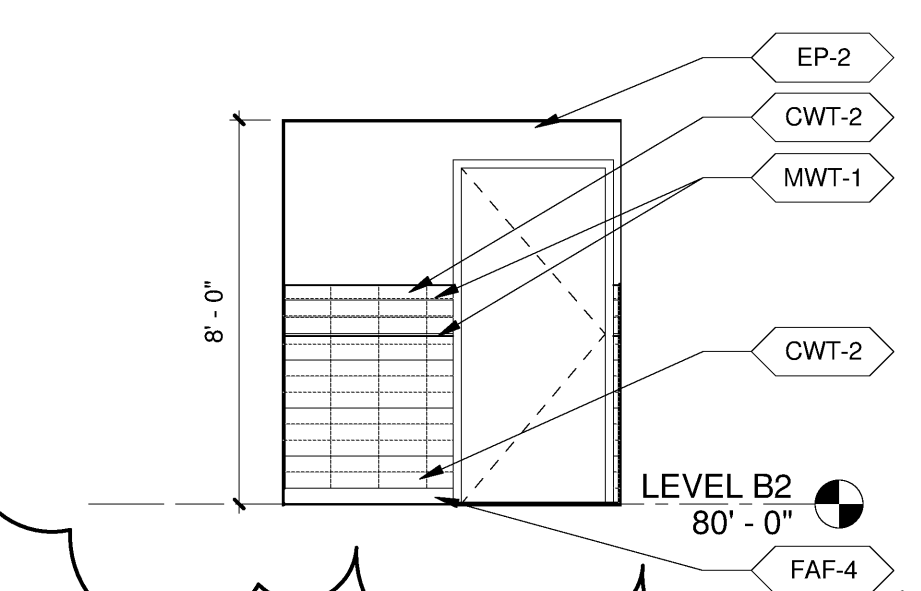
**12 TOILET RM B001A-NORTH**  
A2702/A8205 1/4" = 1'-0"



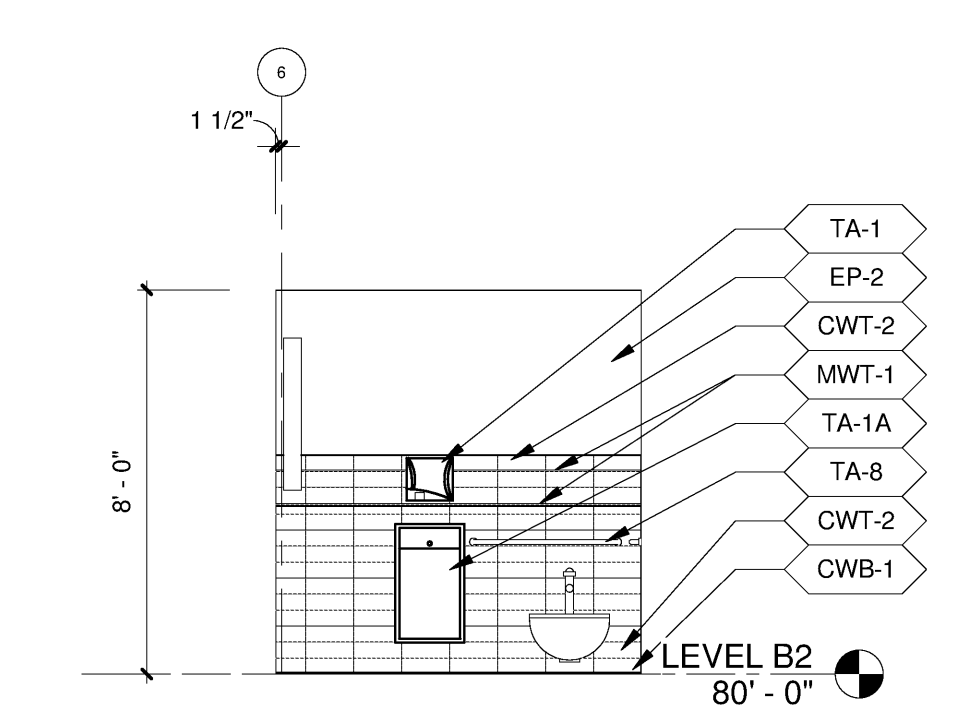
**7 TOILET RM B001B-NORTH**  
A2701/A8205 1/4" = 1'-0"



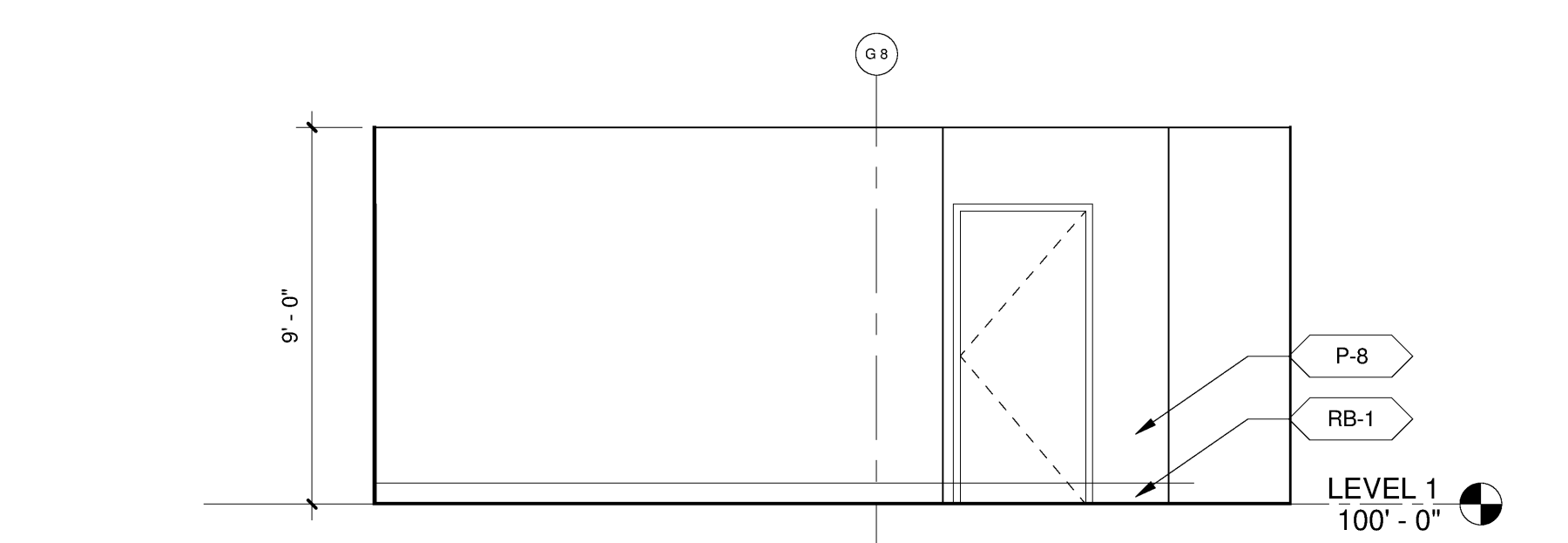
**2 BIKE STOR. 1020 EAST**  
A2214/A8205 1/4" = 1'-0"



**11 TOILET RM B001A-EAST**  
A2702/A8205 1/4" = 1'-0"



**6 TOILET RM B001B-EAST**  
A2701/A8205 1/4" = 1'-0"



**1 BIKE STOR. 1020 - NORTH**  
A2214/A8205 1/4" = 1'-0"

1/17/2011 11:40:35 AM  
 C:\A-Revit\Proj\4820725\_SCRM\_Mesh\_D1.rvt

Warning: It is a violation of the law for any person, unless acting under the direction of a licensed architect, to alter an item in any way. If an item in this document is altered, the altering architect, if other than the architect of record, shall affix to the item his seal and the notation "altered by" followed by his signature and the date of such alteration, and the specific description of the alteration.