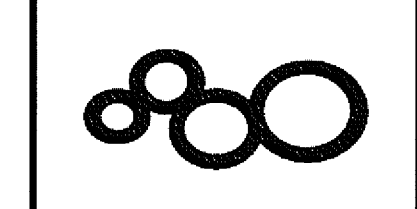


ISSUED FOR	DATE
50% PROGRESS	10.24.08
BID PK #1 100 CD	02.16.09
BID PK #2 100 CD	03.26.09
100% CD	05.08.09
ADA REVIEW	08.26.09
CD-4	01.07.10
CD-4	04.15.10

SANFORD CONSORTIUM FOR REGENERATIVE MEDICINE
 2880 TORREY PINES SCENIC DRIVE
 LA JOLLA, CALIFORNIA 92037

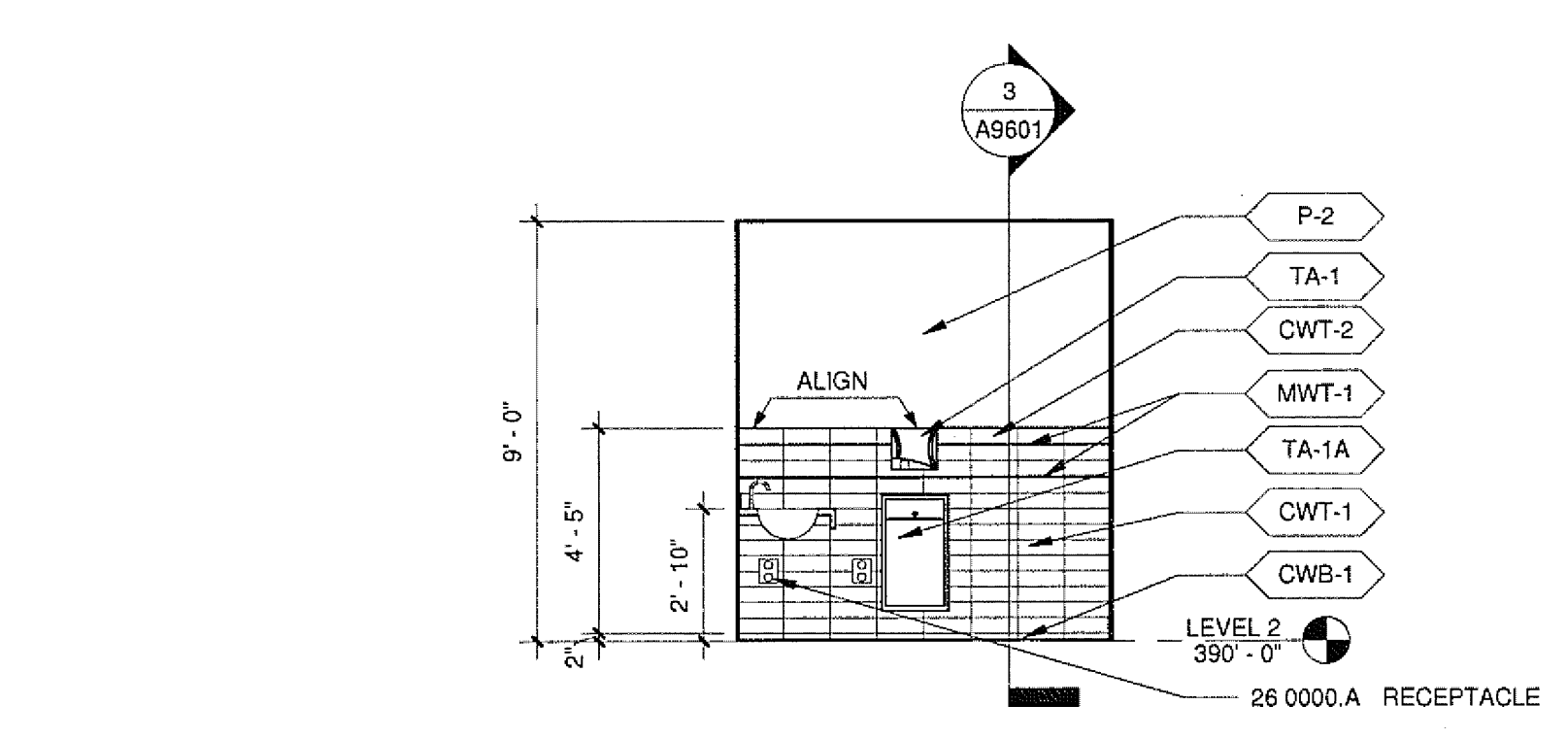


CONSULTANT
 SanfordPhelps Consortium LLC
 10000 San Diego Avenue, Suite 1000, San Diego, CA 92121
 (619) 594-8800

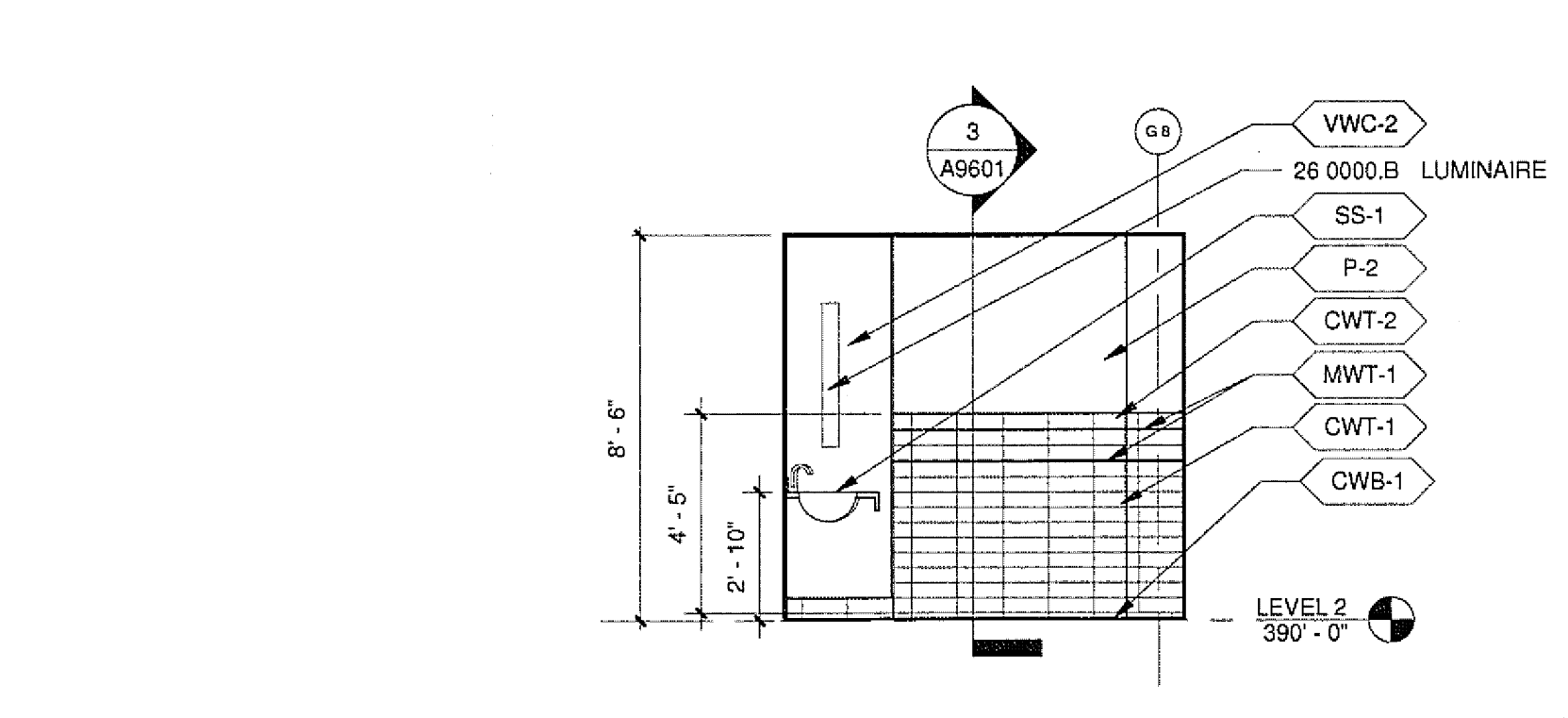
FENTRESS ARCHITECTS
 400 West Broadway, Suite 1000, San Diego, CA 92101
 (619) 594-8800
DAVIS A V T S
 10000 San Diego Avenue, Suite 1000, San Diego, CA 92121
 (619) 594-8800

STAMPED ARCHITECT
 Jeffrey W. Olson
 No. C-31761
 RSN 03/31/11
 J. Olson

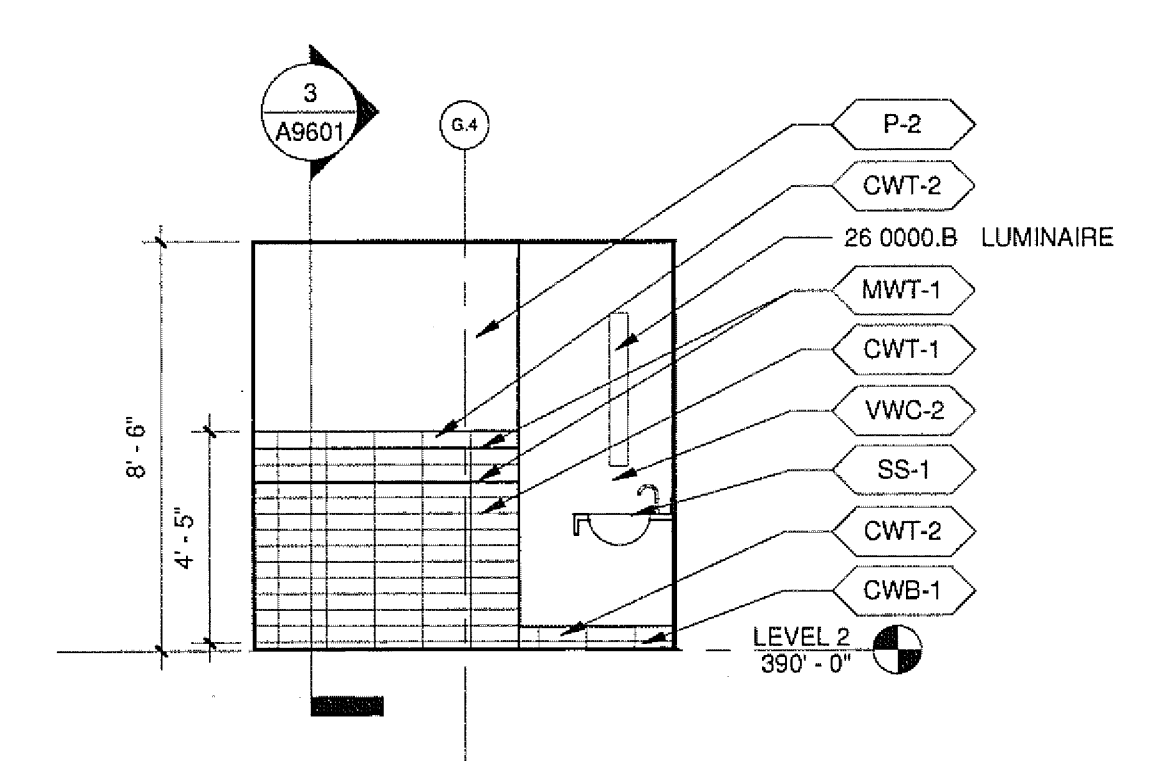
SHEET NAME
 INTERIOR ELEVATIONS
 DRAWN BY: Aubrey
 PROJECT # 200725.000
 SHEET NUMBER
A8203



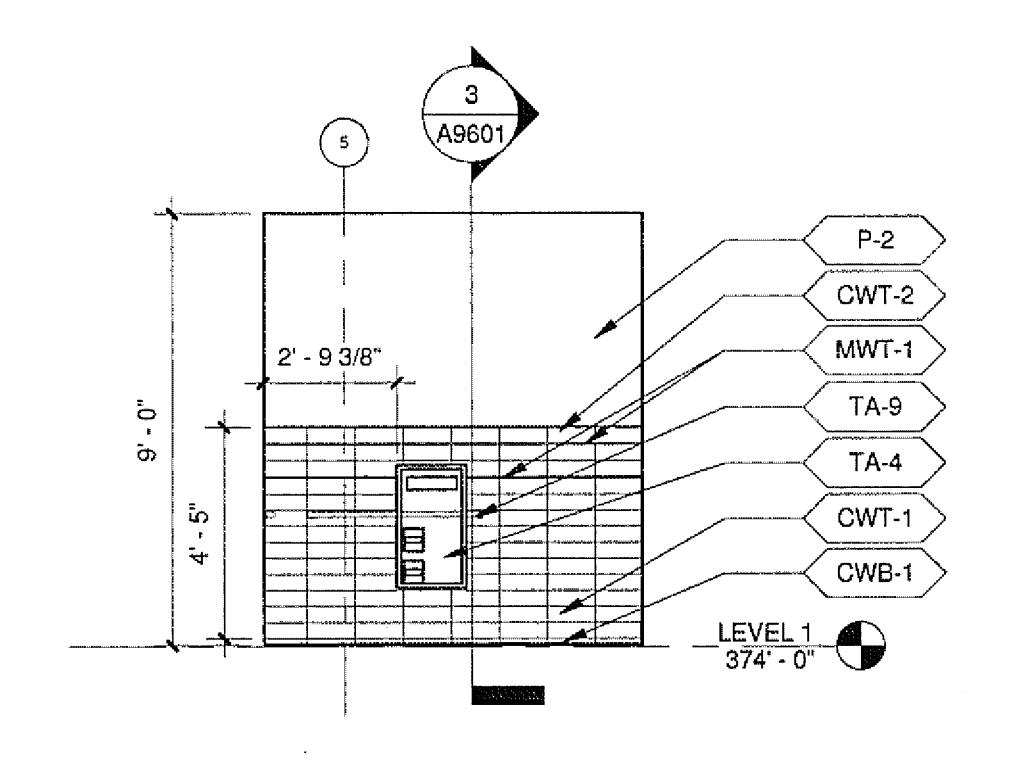
20 TOILET ROOM 2603 - WEST
A2702/A8203 1/4" = 1'-0"



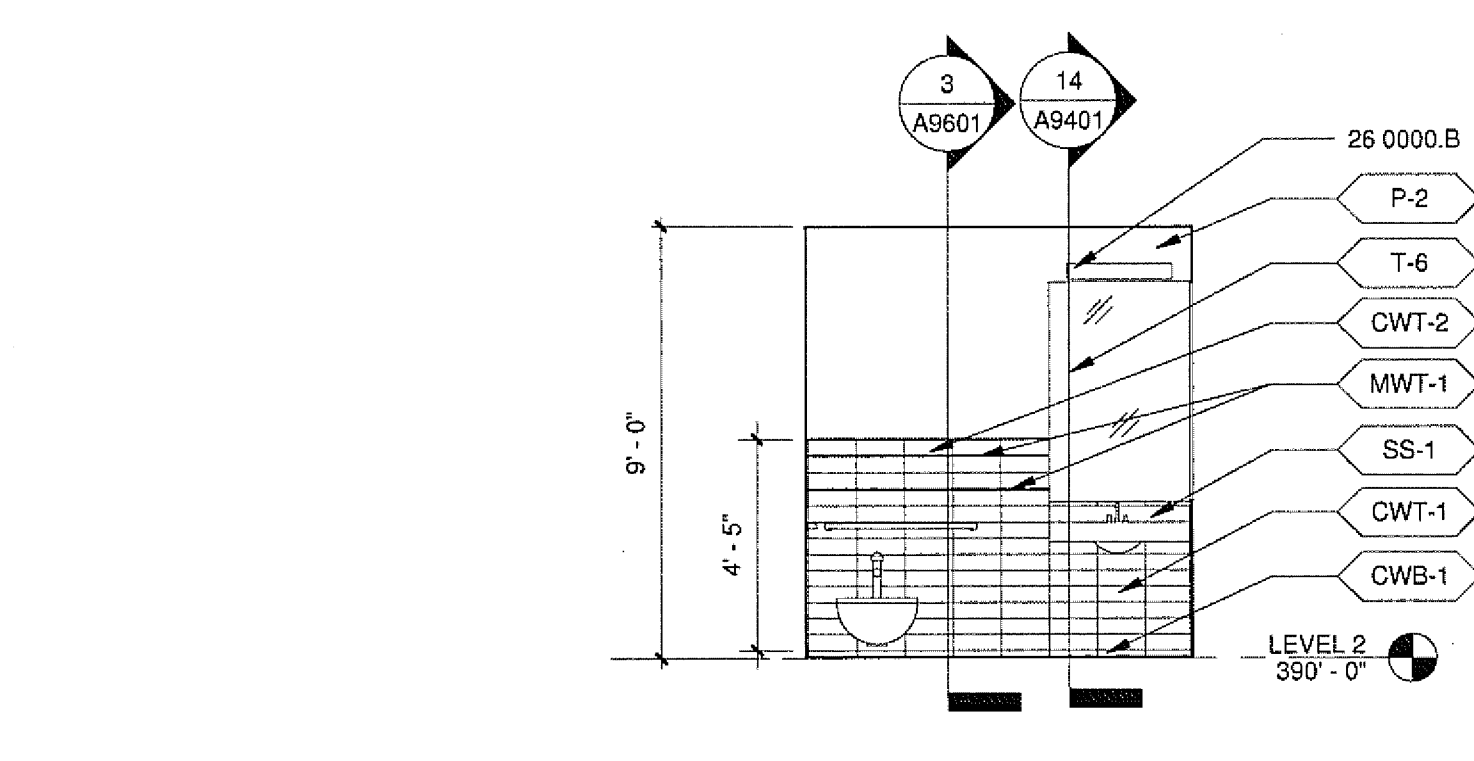
15 WOMEN 2019 - NORTH
A2702/A8203 1/4" = 1'-0"



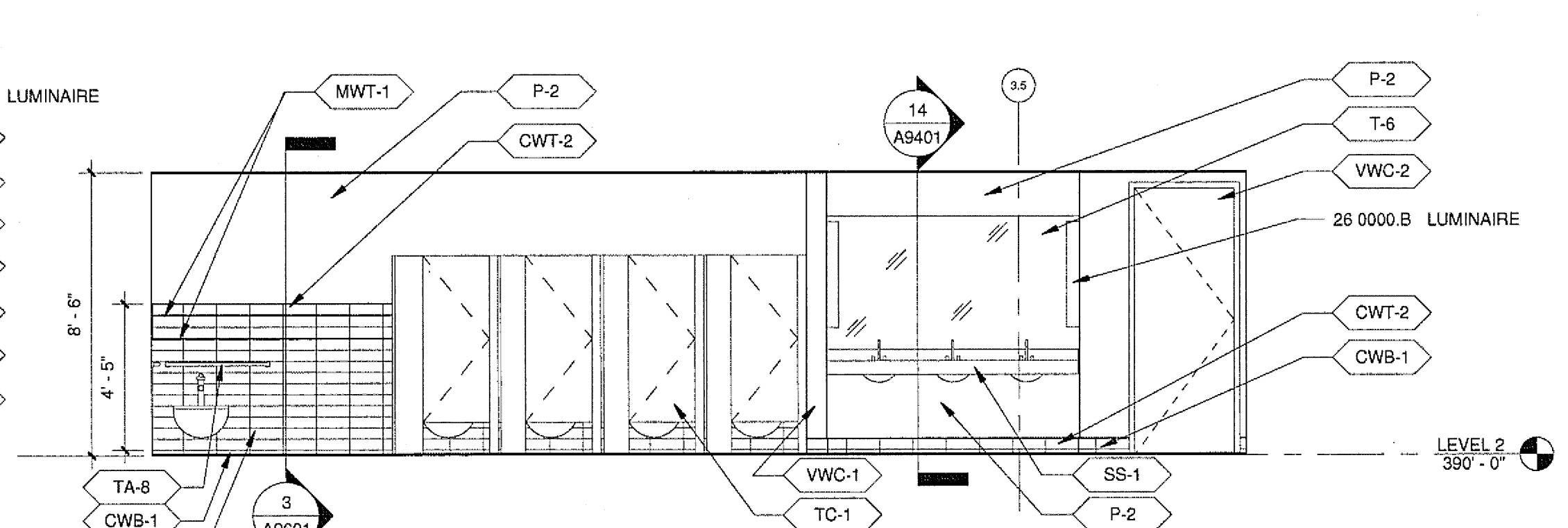
10 MEN RM 2018 - NORTH
A2702/A8203 1/4" = 1'-0"



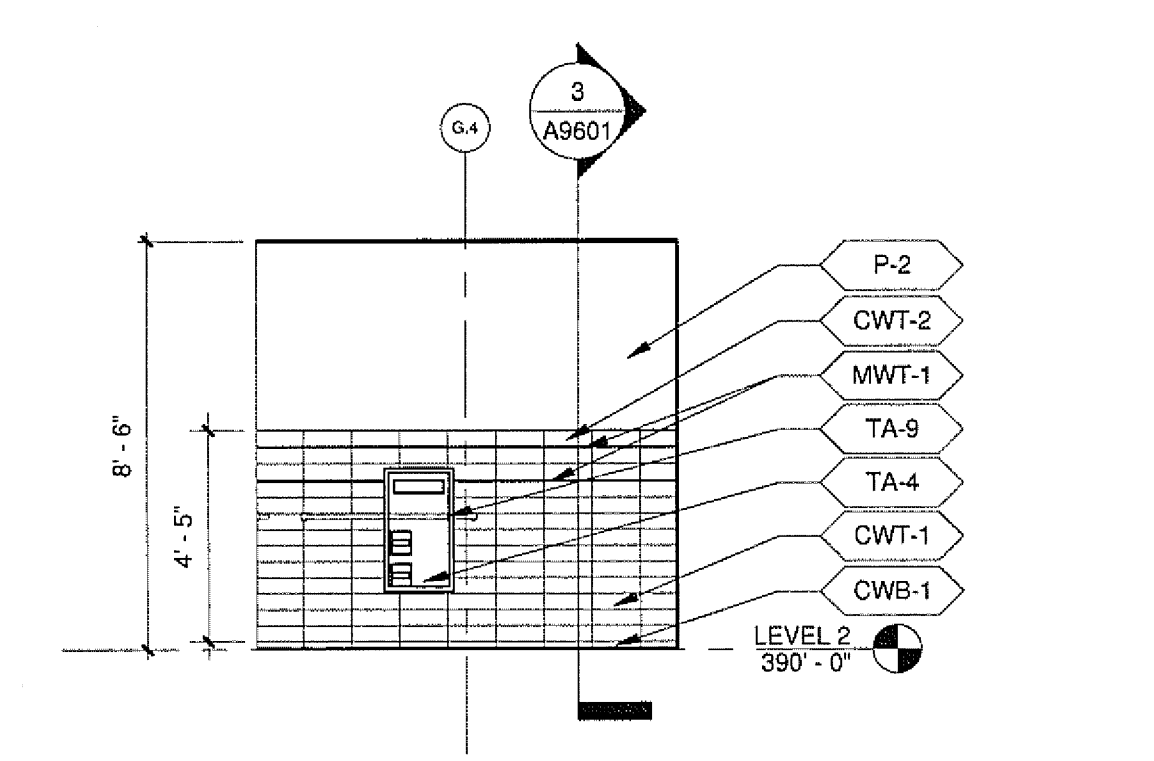
5 MEN 1824 - EAST
A2701/A8203 1/4" = 1'-0"



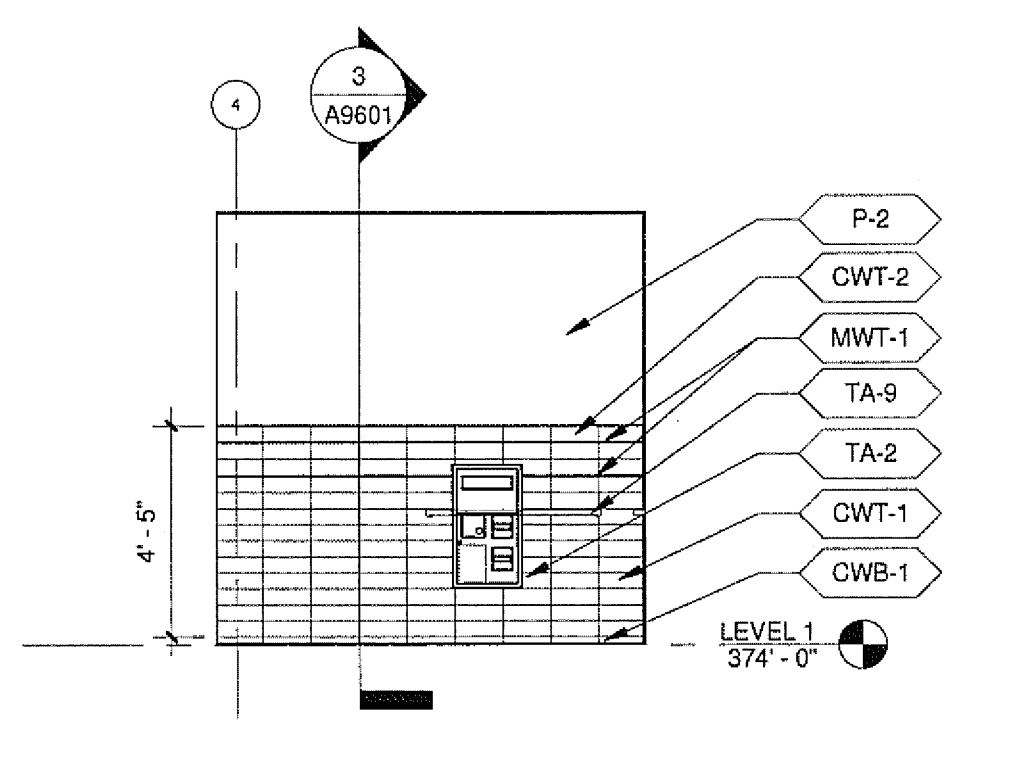
19 TOILET ROOM 2603 - SOUTH
A2702/A8203 1/4" = 1'-0"



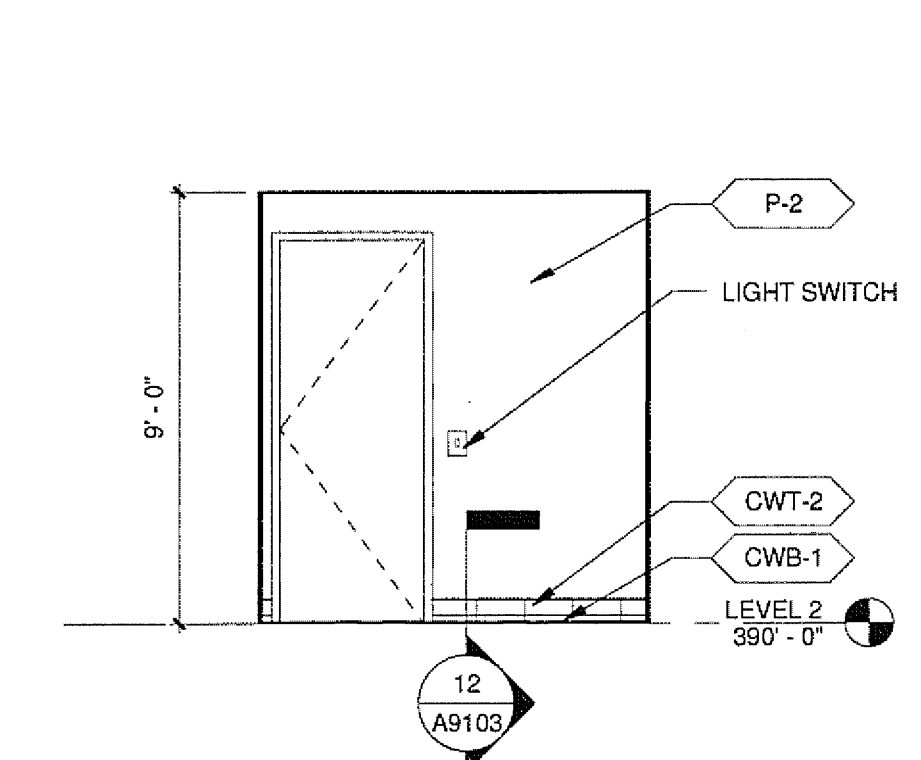
14 WOMEN 2019 - WEST
A2702/A8203 1/4" = 1'-0"



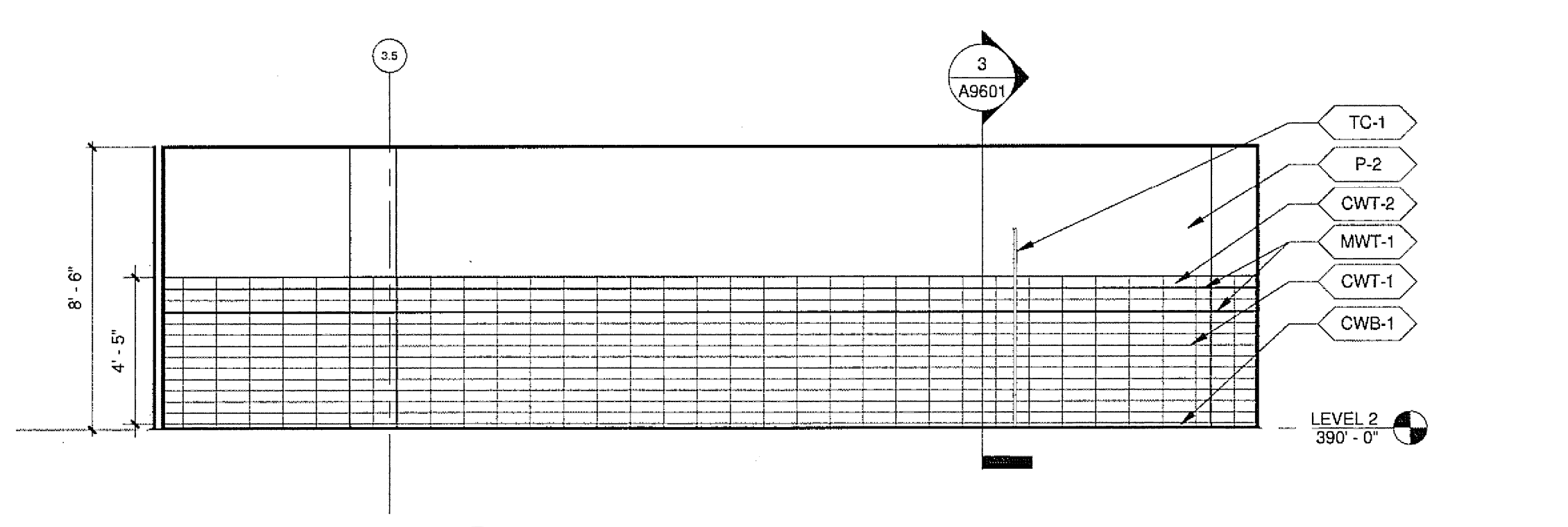
9 MEN RM 2018 - SOUTH
A2702/A8203 1/4" = 1'-0"



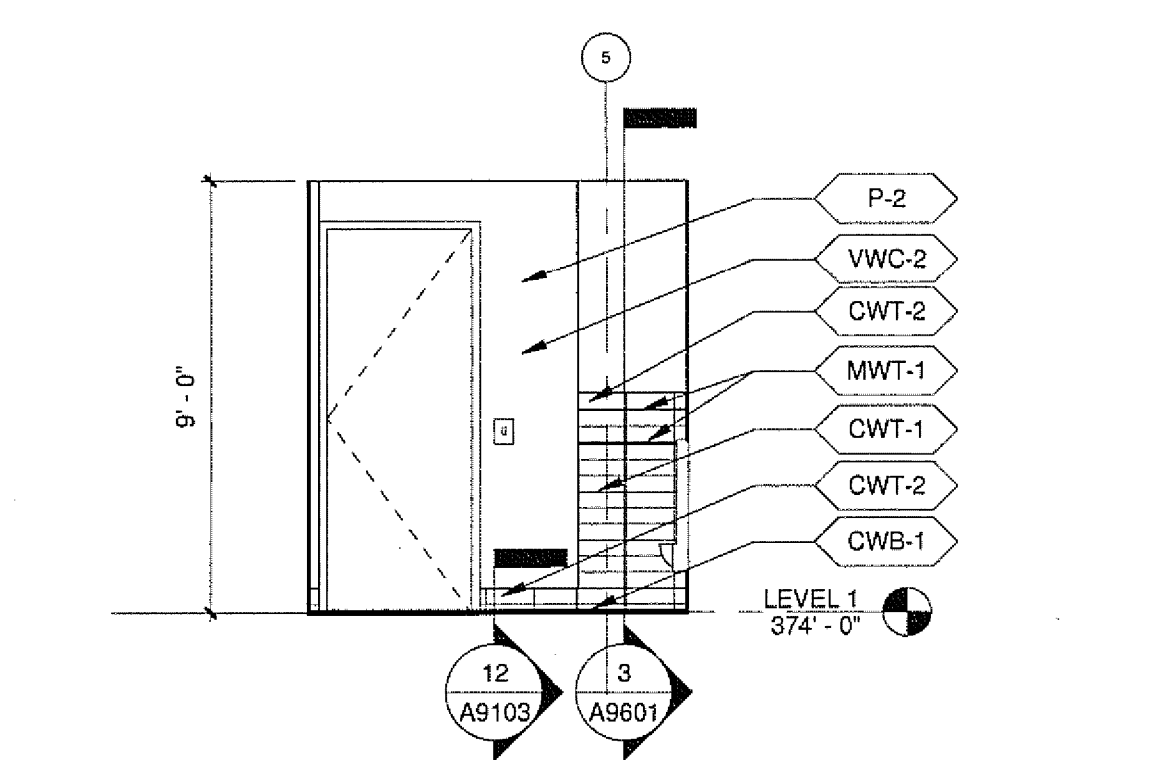
4 TOILET RM 1031 - WEST
A2701/A8203 1/4" = 1'-0"



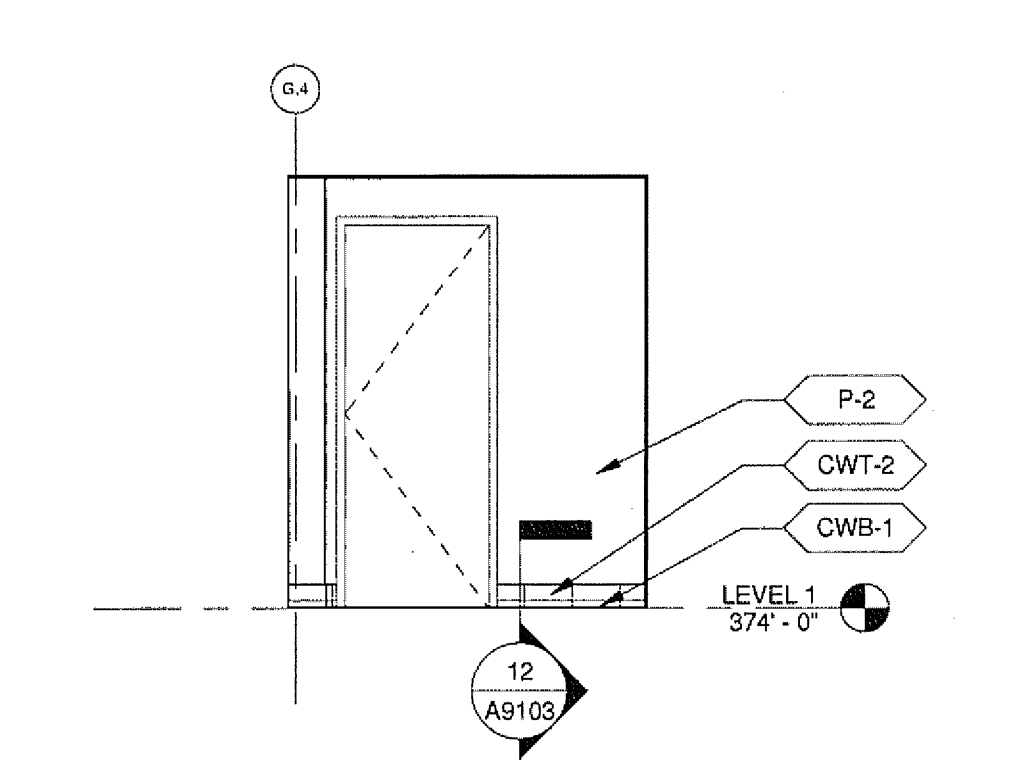
18 TOILET ROOM 2603 - NORTH
A2702/A8203 1/4" = 1'-0"



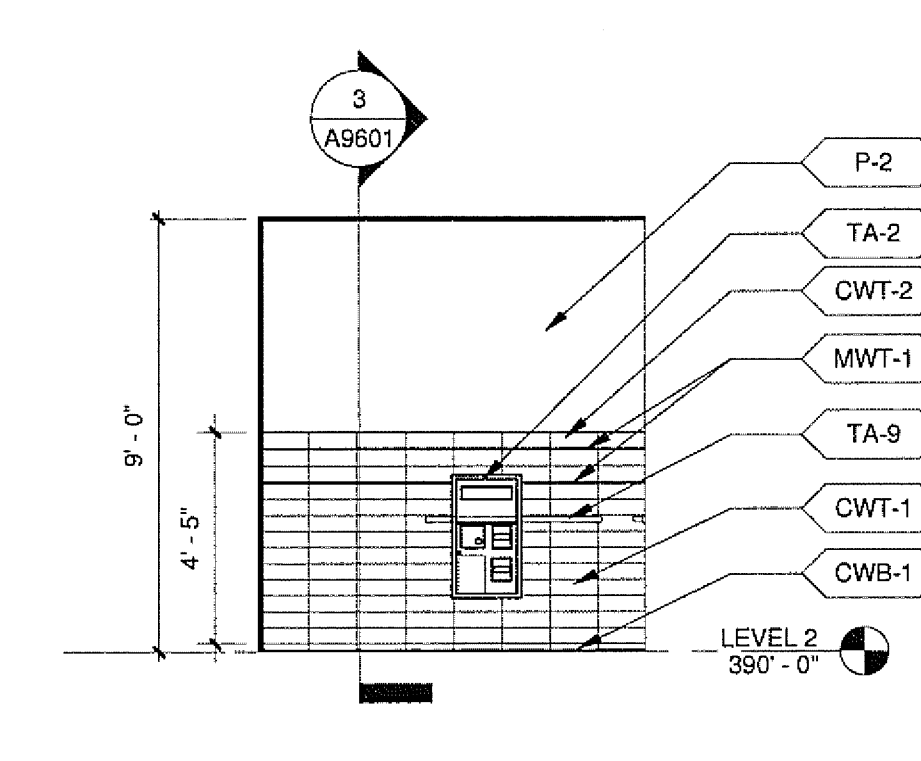
13 WOMEN 2019 - EAST
A2702/A8203 1/4" = 1'-0"



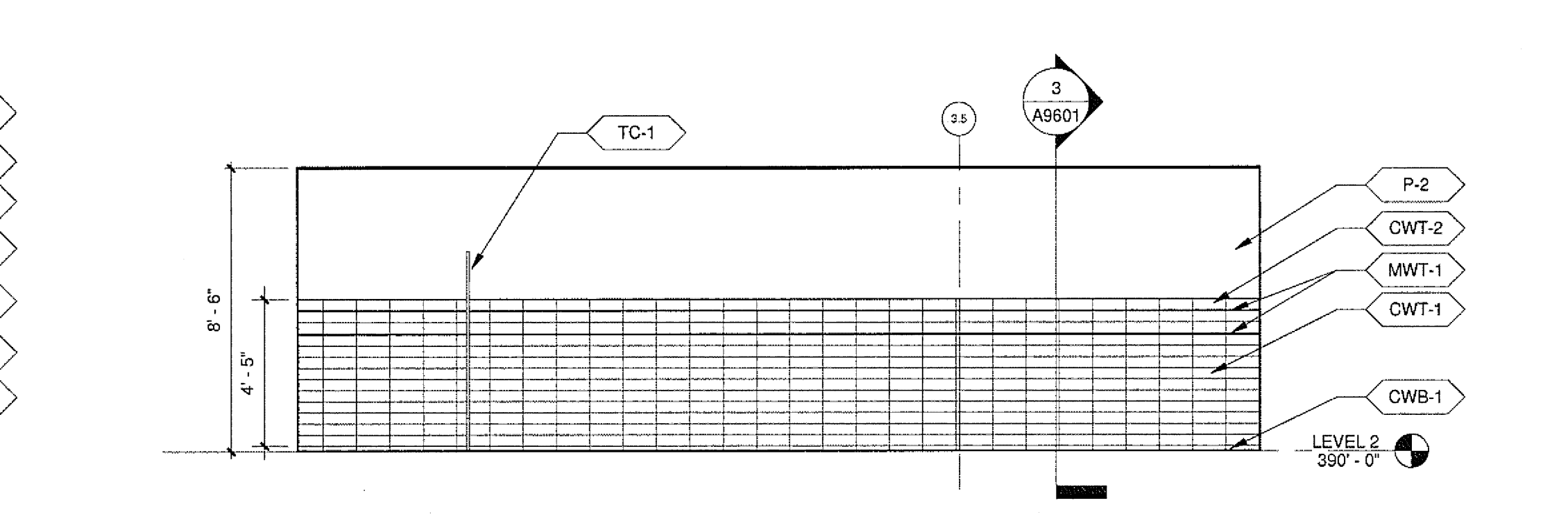
8 MEN 1824 - WEST
A2701/A8203 1/4" = 1'-0"



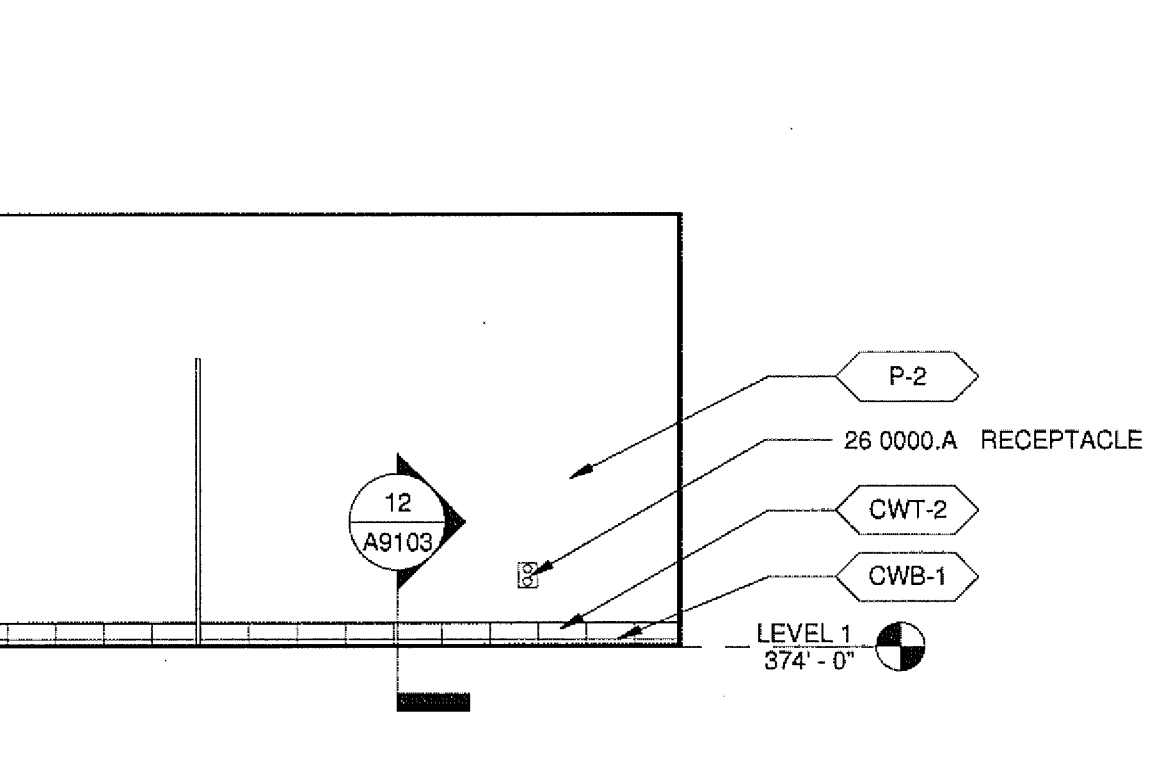
3 TOILET RM 1031 - SOUTH
A2701/A8203 1/4" = 1'-0"



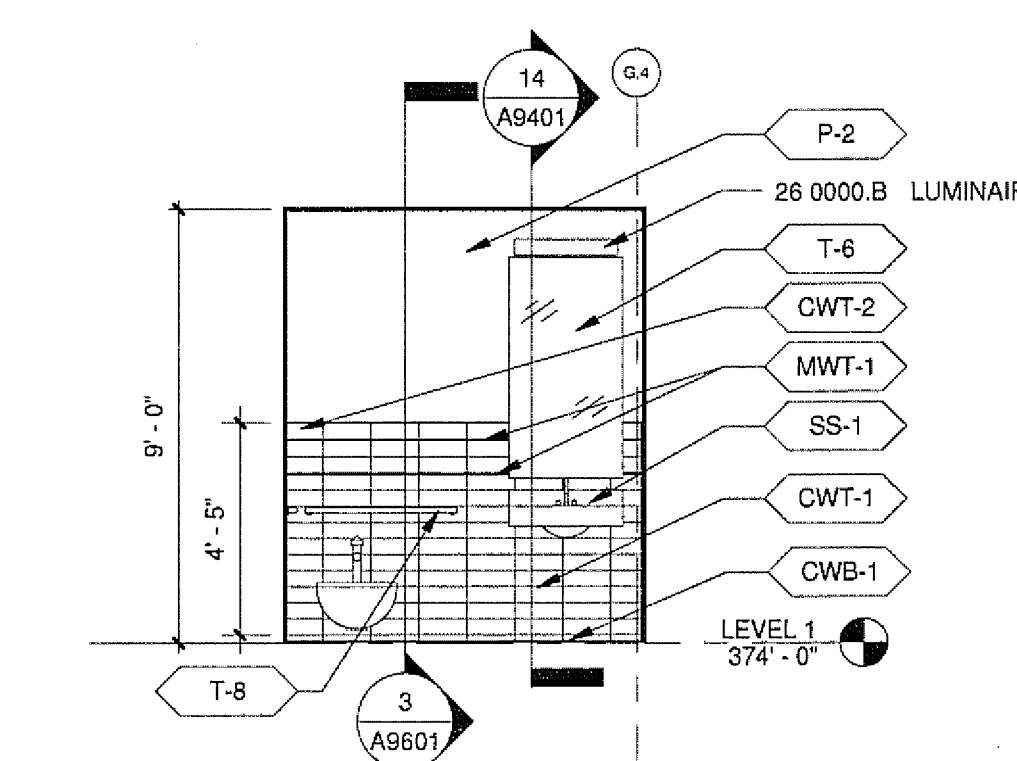
17 TOILET ROOM 2603 - EAST
A2702/A8203 1/4" = 1'-0"



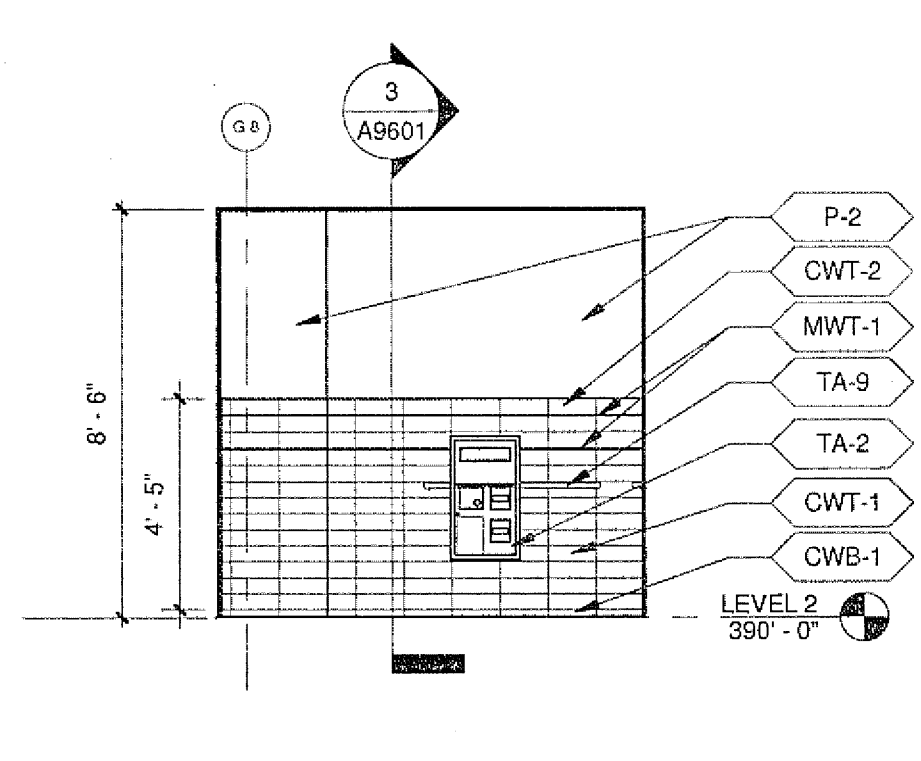
12 MEN RM 2018 - WEST
A2702/A8203 1/4" = 1'-0"



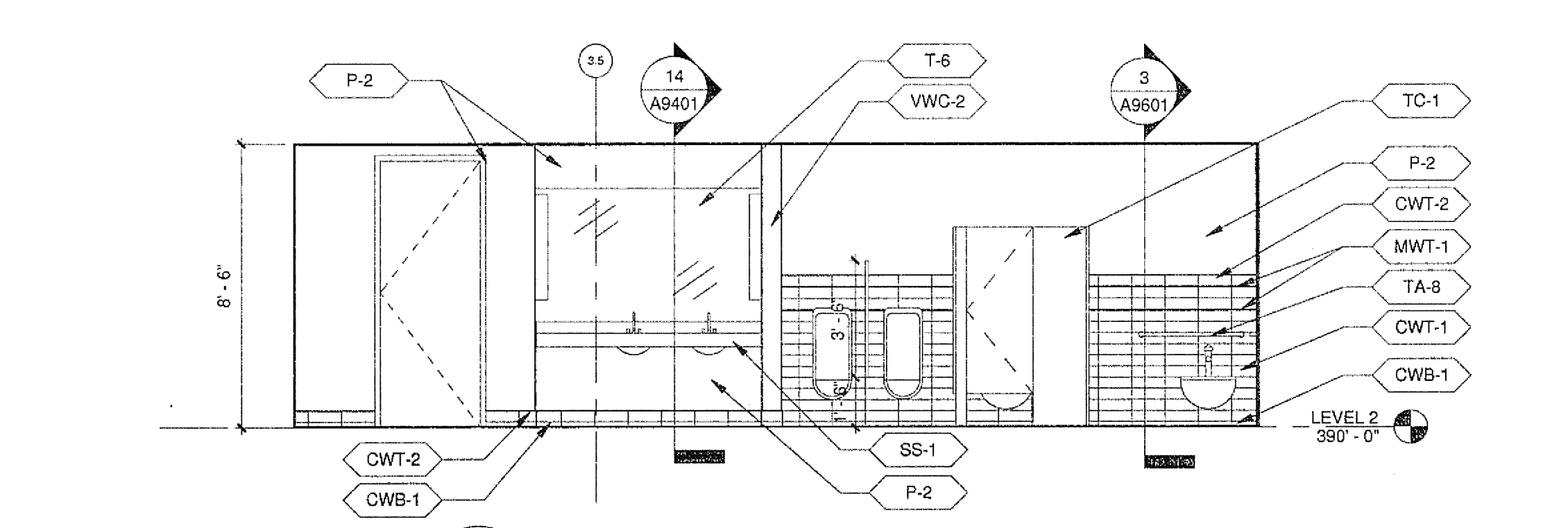
7 MEN 1824 - SOUTH
A2701/A8203 1/4" = 1'-0"



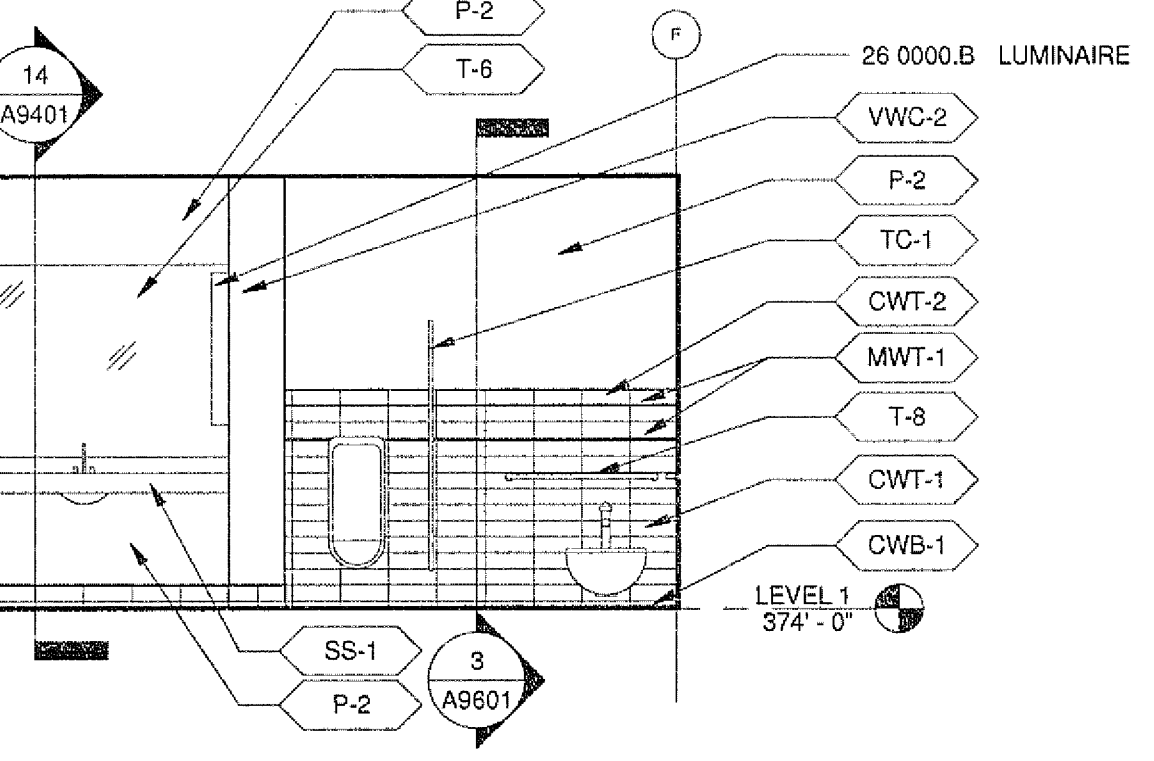
2 TOILET RM 1031 - NORTH
A2701/A8203 1/4" = 1'-0"



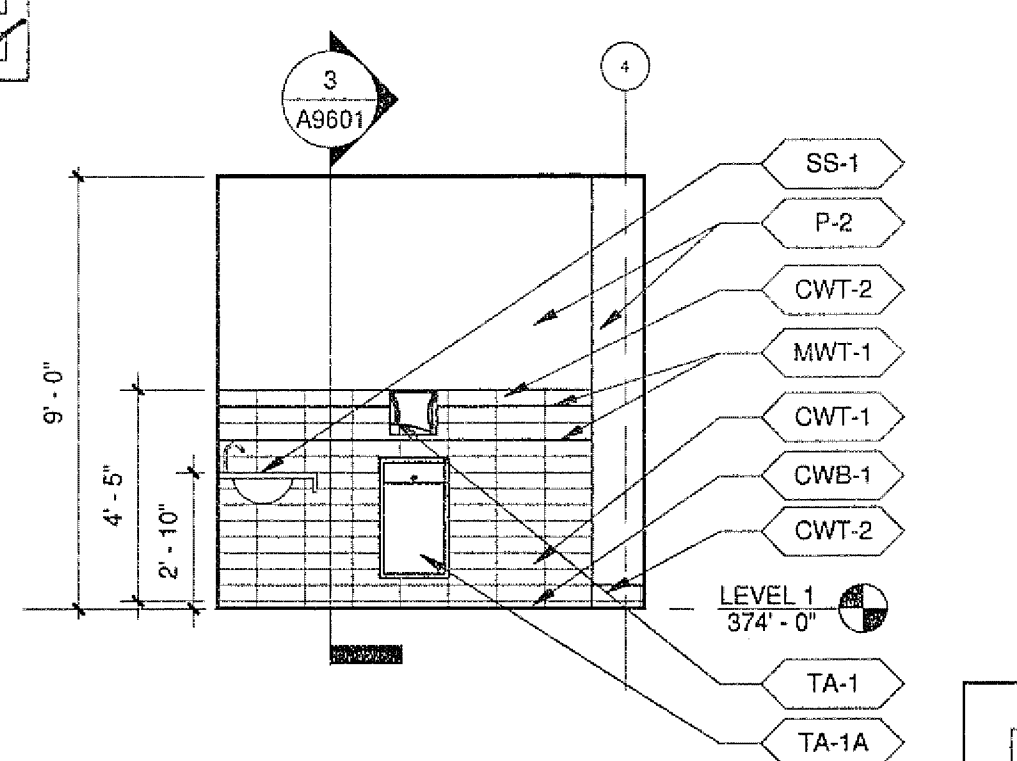
16 WOMEN 2019 - SOUTH
A2702/A8203 1/4" = 1'-0"



11 MEN RM 2018 - EAST
A2702/A8203 1/4" = 1'-0"



6 MEN 1824 - NORTH
A2701/A8203 1/4" = 1'-0"



1 TOILET RM 1031 - EAST
A2701/A8203 1/4" = 1'-0"

DATE	U.C.S.D.
4/21/10	PRELIMINARY DRAWINGS
	PROGRESS DRAWINGS
	REVIEW DRAWINGS
	CONSTRUCTION DRAWINGS

4/15/2010 10:52:17 AM
 C:\P\Rev\Projects\200725_SCFM_A8203.dwg

Warning: It is a violation of the law for any person, unless acting under the direction of a licensed architect, to alter an item in any way. If an item in this document is altered, the altering architect, if other than the architect of record, shall affix the item his seal and the notation "altered by" followed by his signature and the date of such alteration, and the specific description of the alteration.