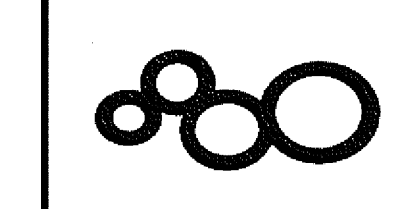


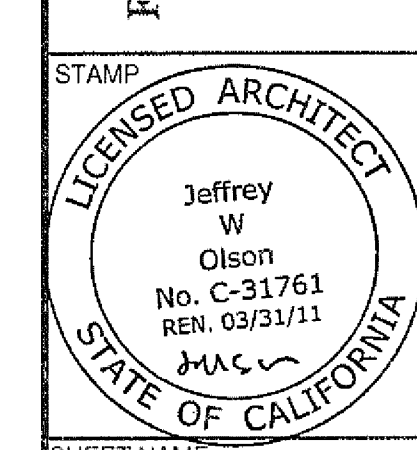
ISSUED FOR	DATE
50% PROGRESS	10.24.08
BD PK #1 100 CD	03.16.09
100% CD	05.26.09
ADA REVIEW	08.26.09
CD-4	01.07.10
CD-4	04.15.10

SANFORD CONSORTIUM FOR REGENERATIVE MEDICINE
 2880 TORREY PINES SCENIC DRIVE
 LA JOLLA, CALIFORNIA 92037

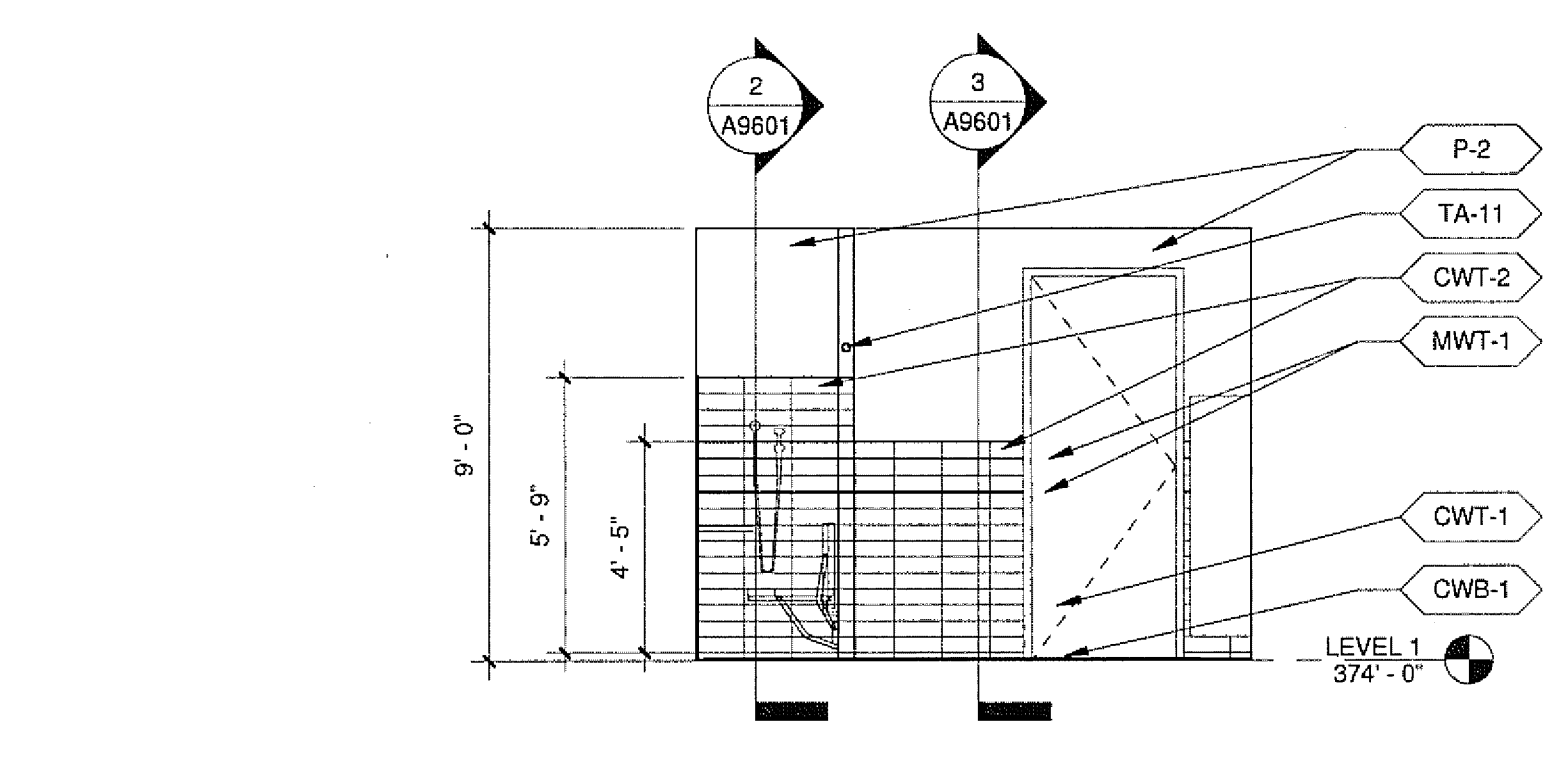


CONSULTANT
 LandmarkPhos Consortium LLC
 2880 Torrey Pines Scenic Drive, Suite 100
 La Jolla, CA 92037

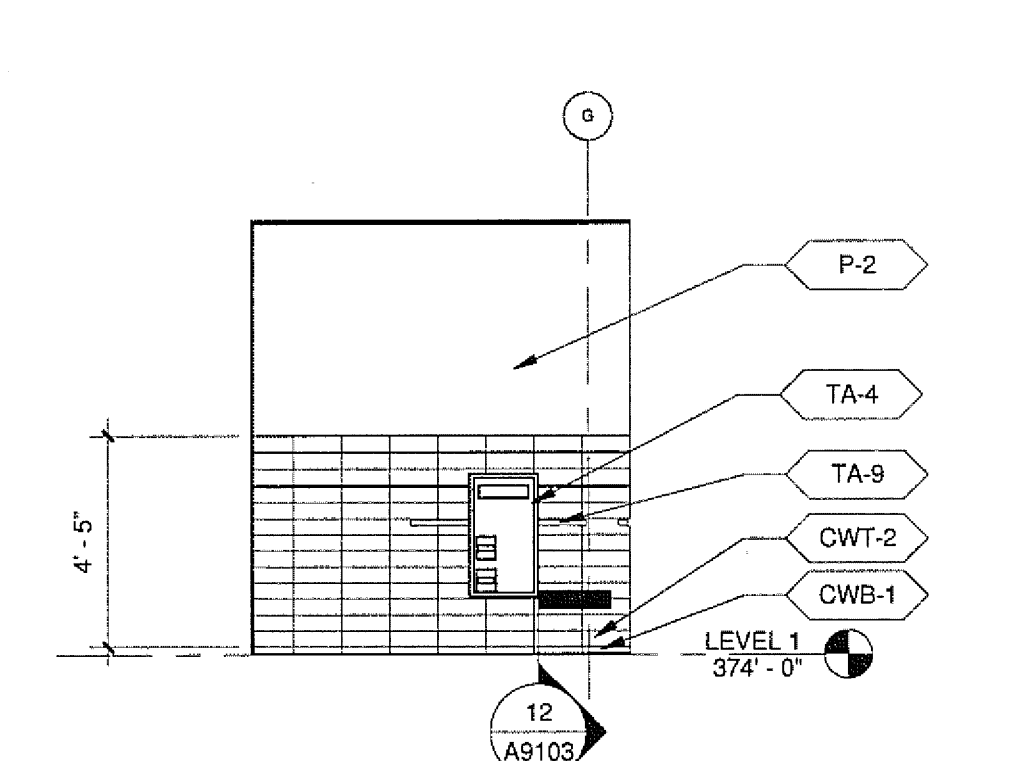
FENTRESS ARCHITECTS
 4815 University Avenue, Suite 100
 San Diego, CA 92121
 DAVIS AVIS ARCHITECTS
 3800 La Jolla Village Drive, Suite 100
 San Diego, CA 92122



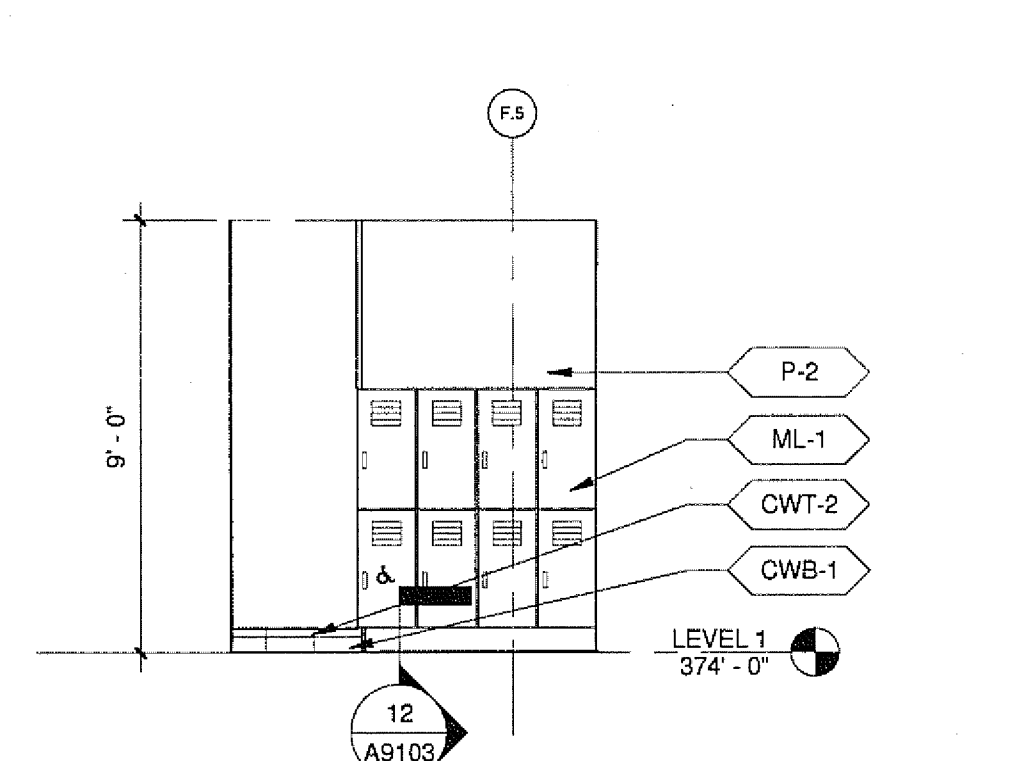
SHEET NAME
 INTERIOR ELEVATIONS
 DRAWN BY: Author
 PROJECT #: 200725.000
 SHEET NUMBER
A8202



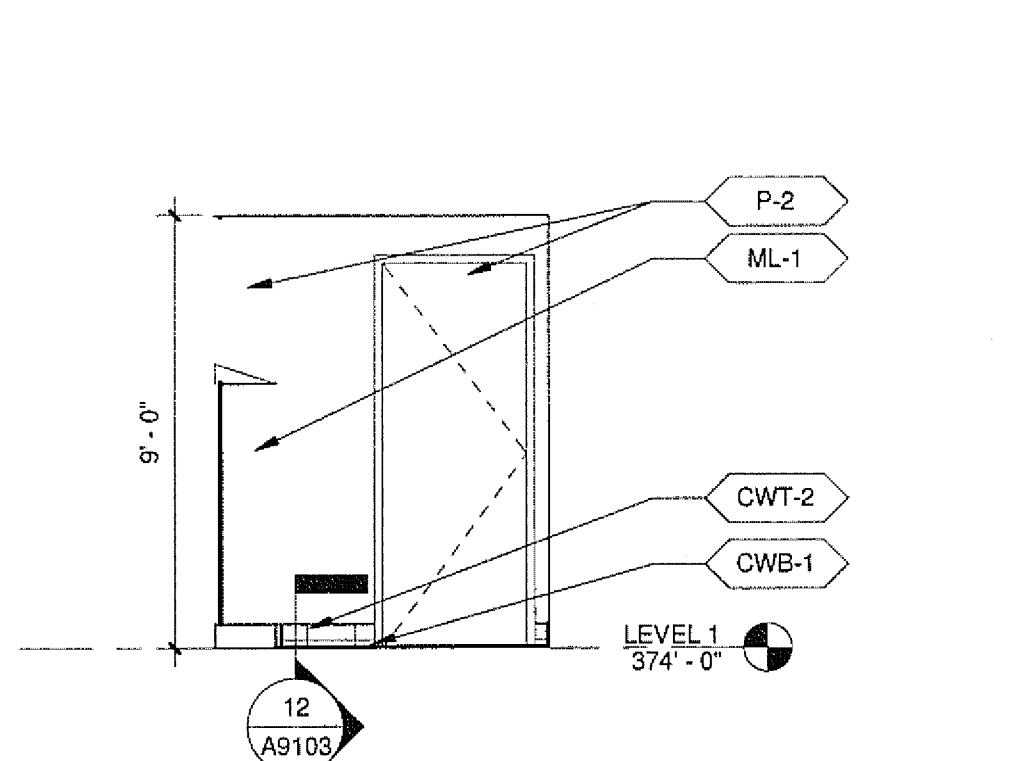
20 SHOWER RM 1019 - WEST
A2701 | A8202 1/4" = 1'-0"



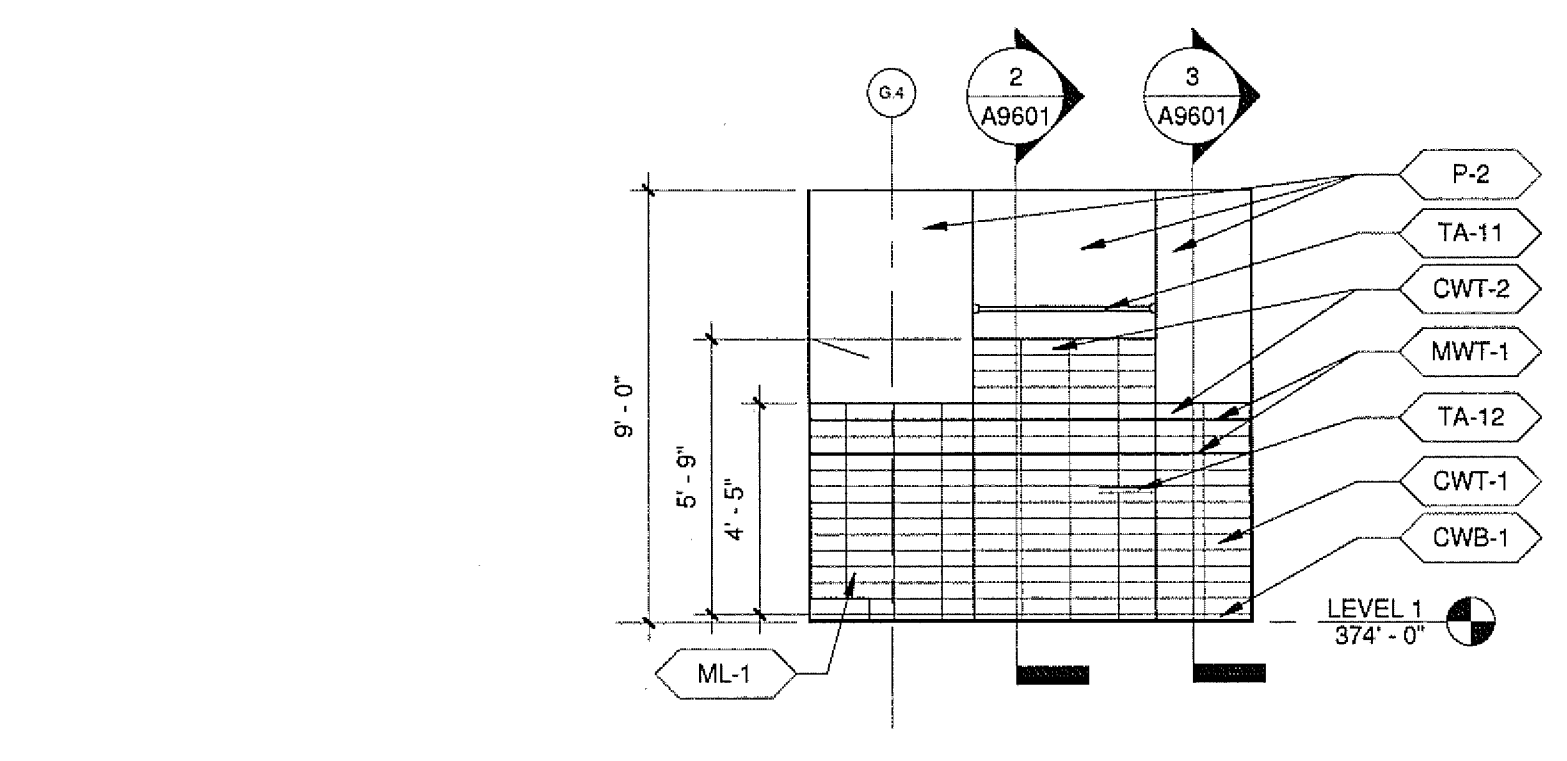
15 MEN RM 1018 - SOUTH
A2701 | A8202 1/4" = 1'-0"



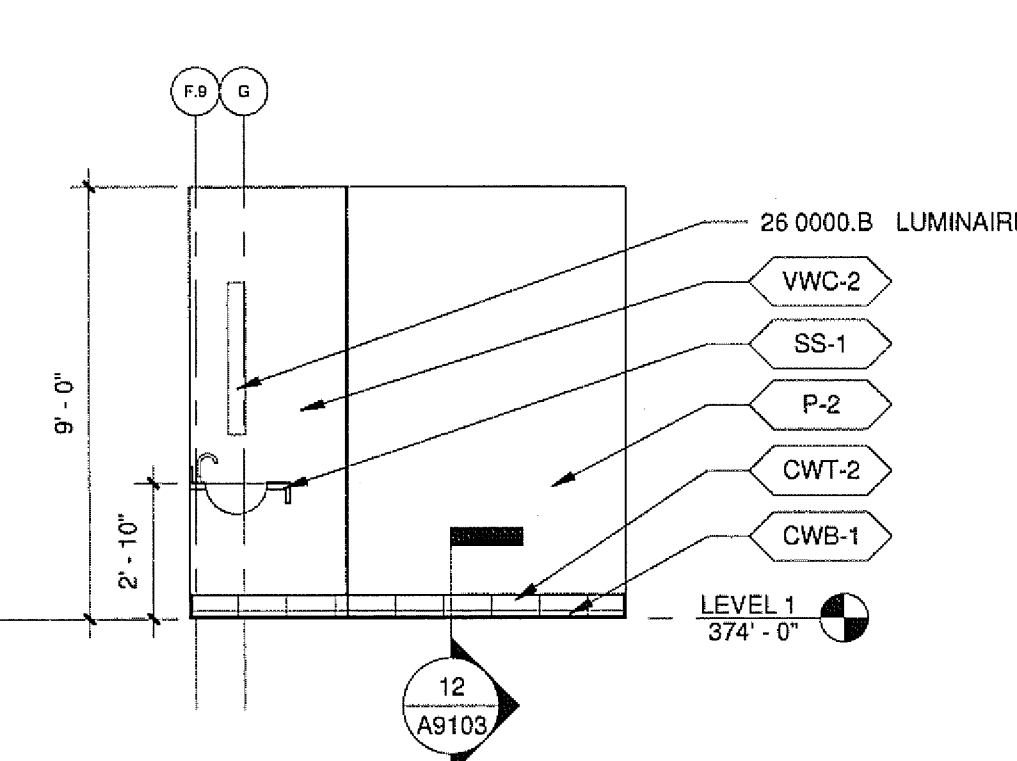
10 SHOWER RM 1017 - NORTH
A2701 | A8202 1/4" = 1'-0"



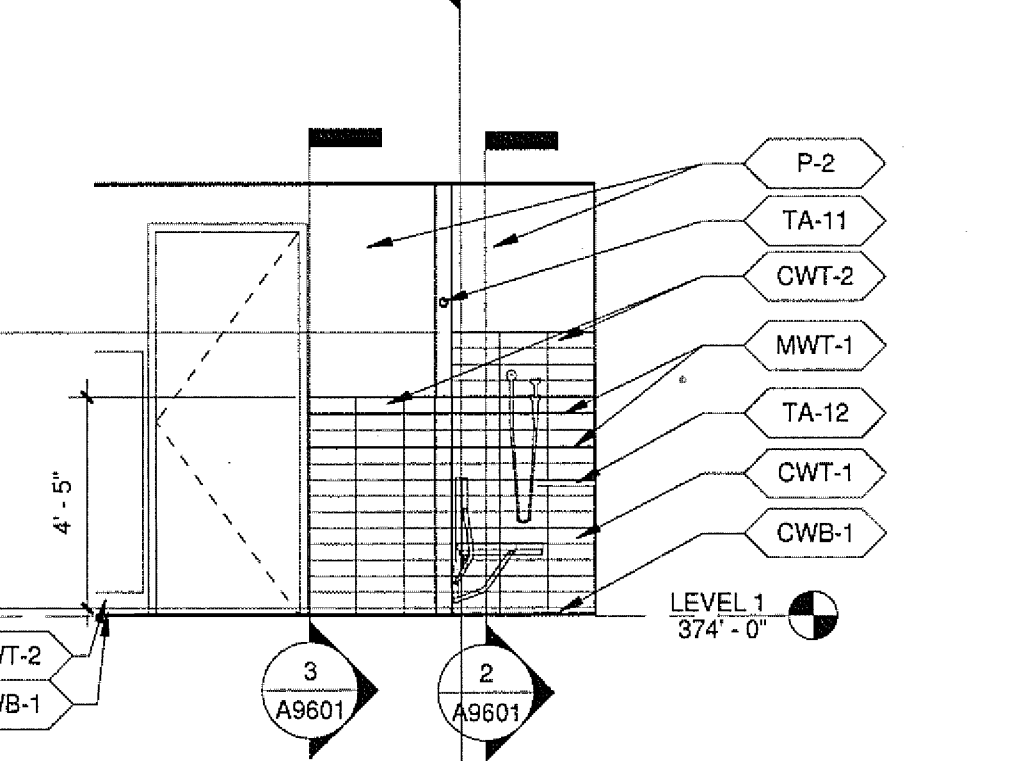
5 LAC 1016 - EAST
A2701 | A8202 1/4" = 1'-0"



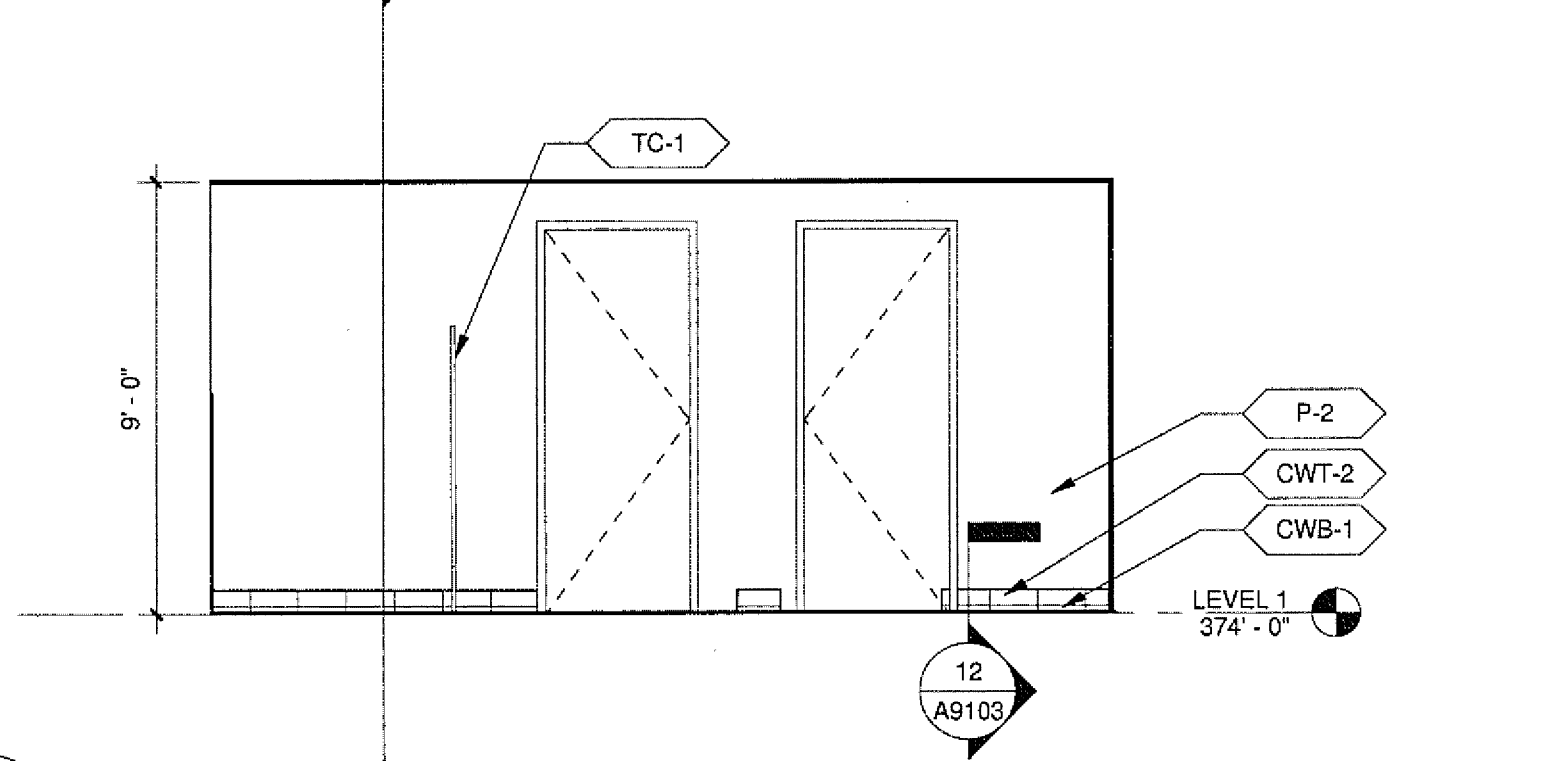
19 SHOWER RM 1019 - SOUTH
A2701 | A8202 1/4" = 1'-0"



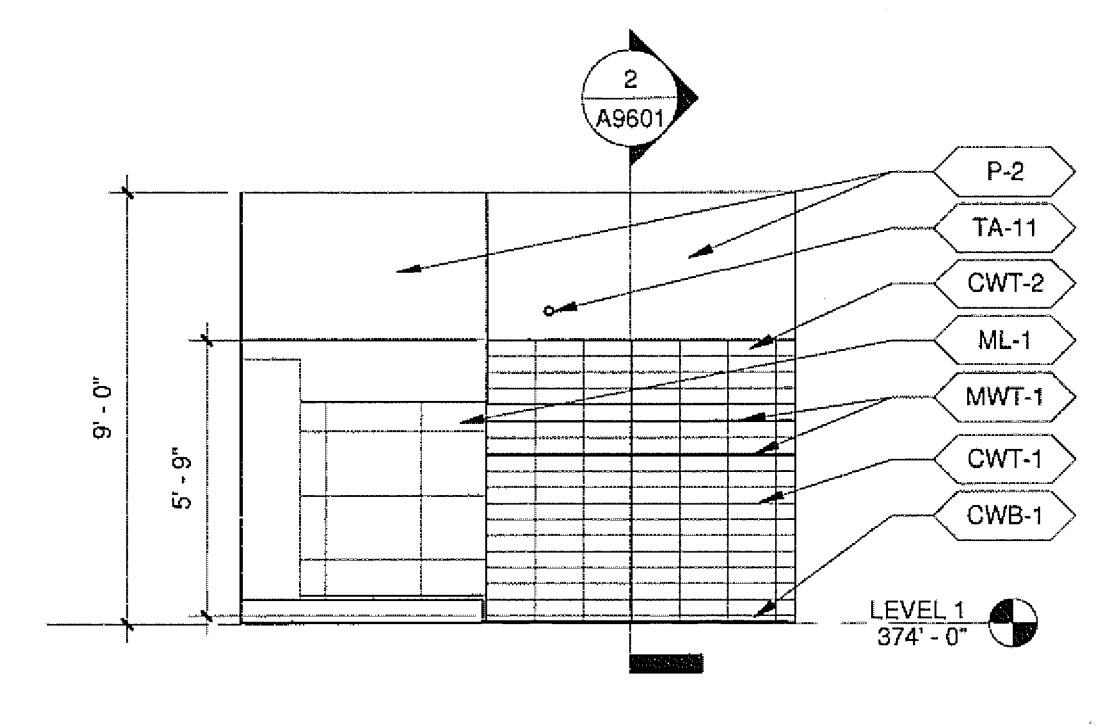
14 MEN RM 1018 - NORTH
A2701 | A8202 1/4" = 1'-0"



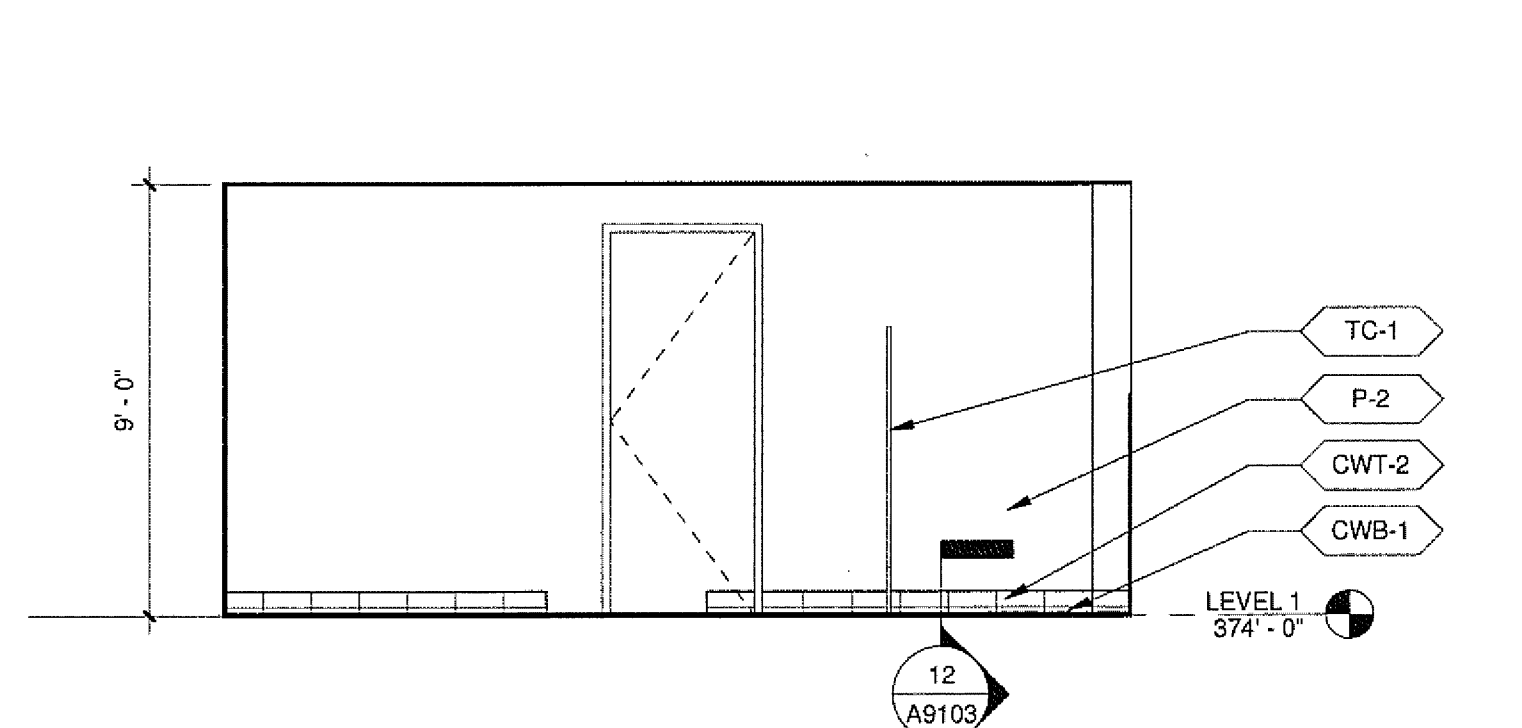
9 SHOWER RM 1017 - EAST
A2701 | A8202 1/4" = 1'-0"



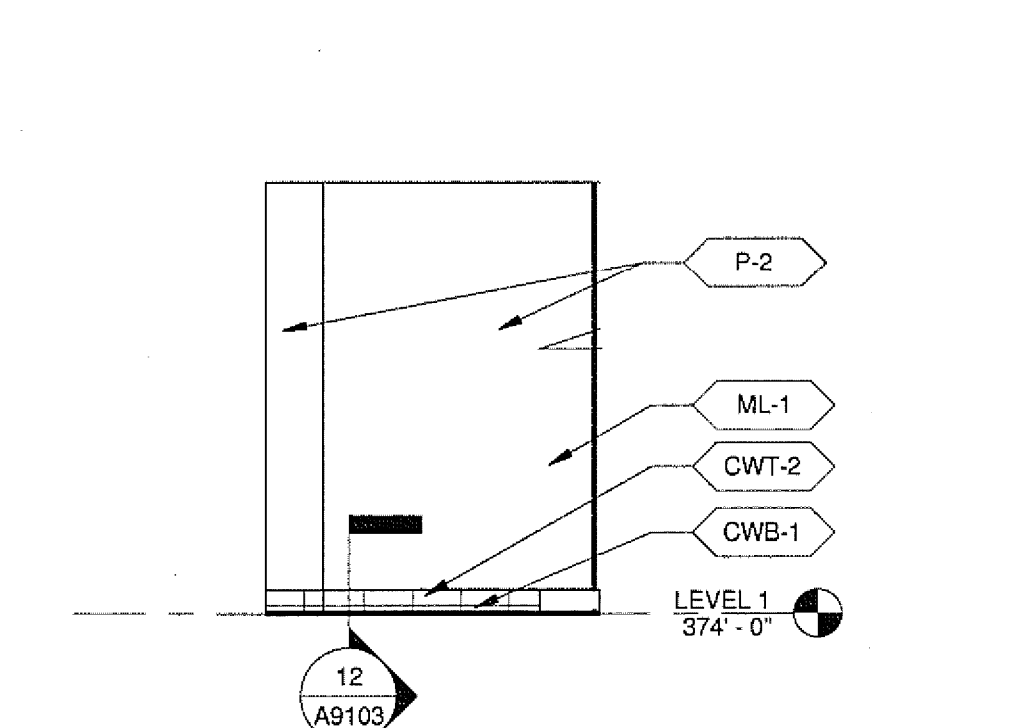
4 WOMEN RM 1015 - WEST
A2701 | A8202 1/4" = 1'-0"



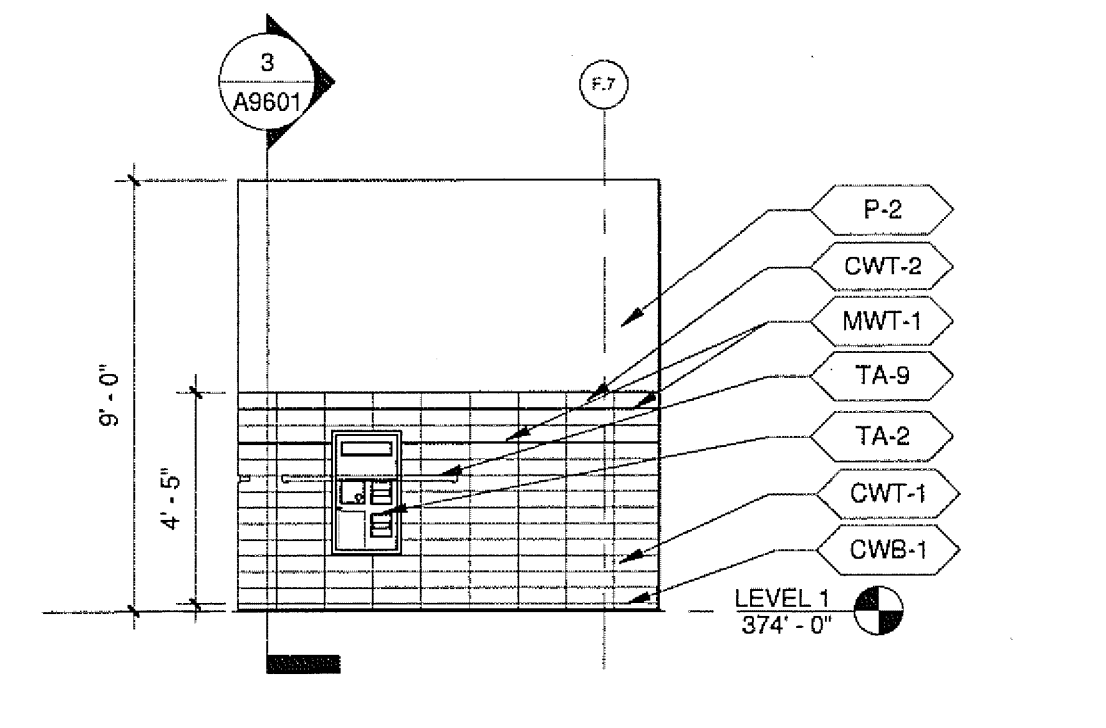
18 SHOWER RM 1019 - EAST
A2701 | A8202 1/4" = 1'-0"



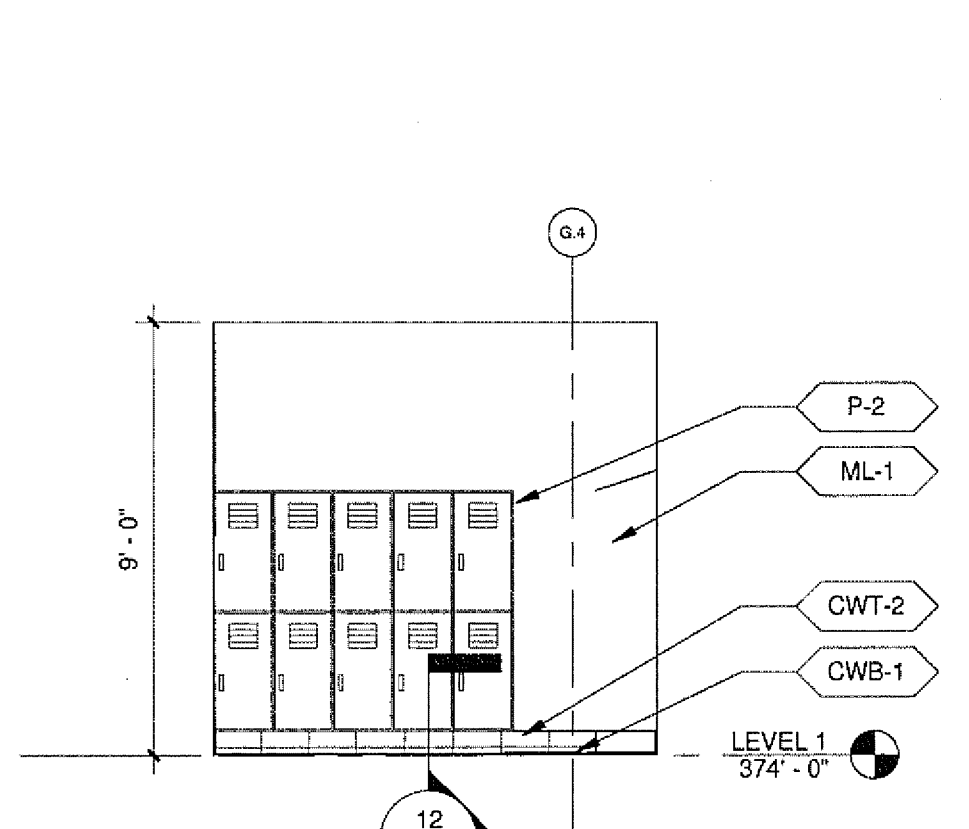
13 MEN RM 1018 - EAST
A2701 | A8202 1/4" = 1'-0"



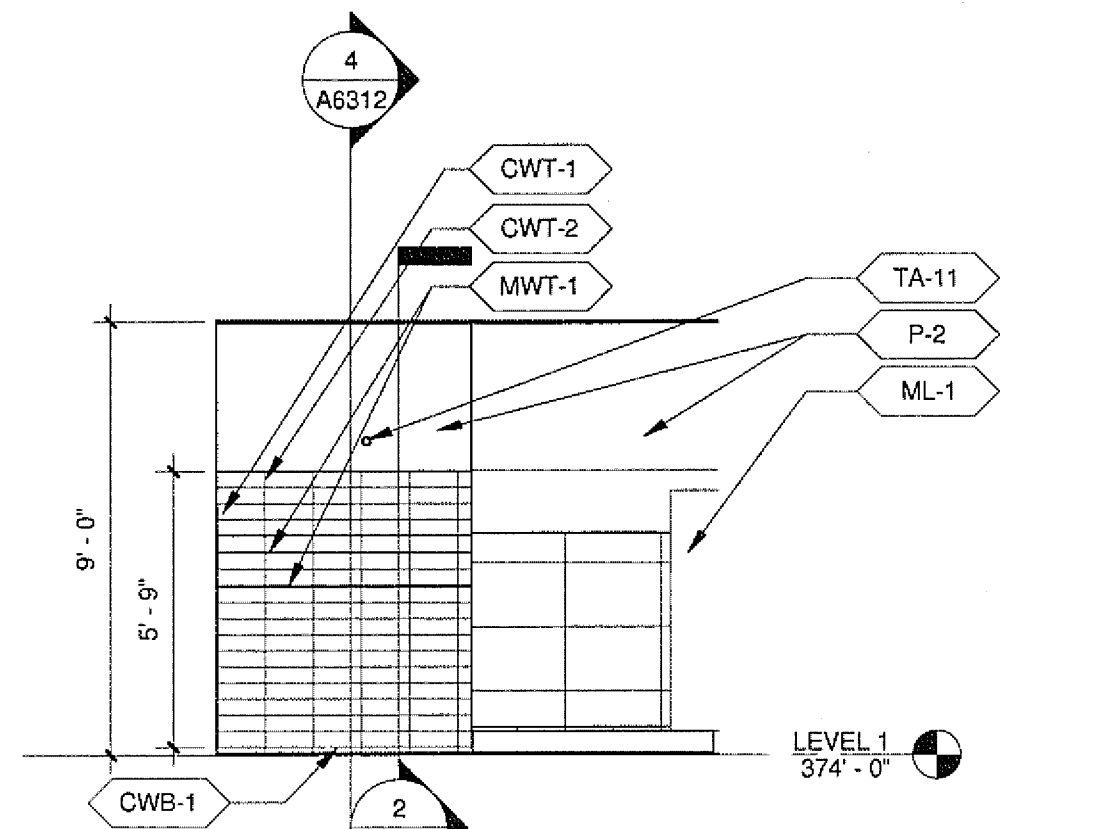
8 LAC 1016 - WEST
A2701 | A8202 1/4" = 1'-0"



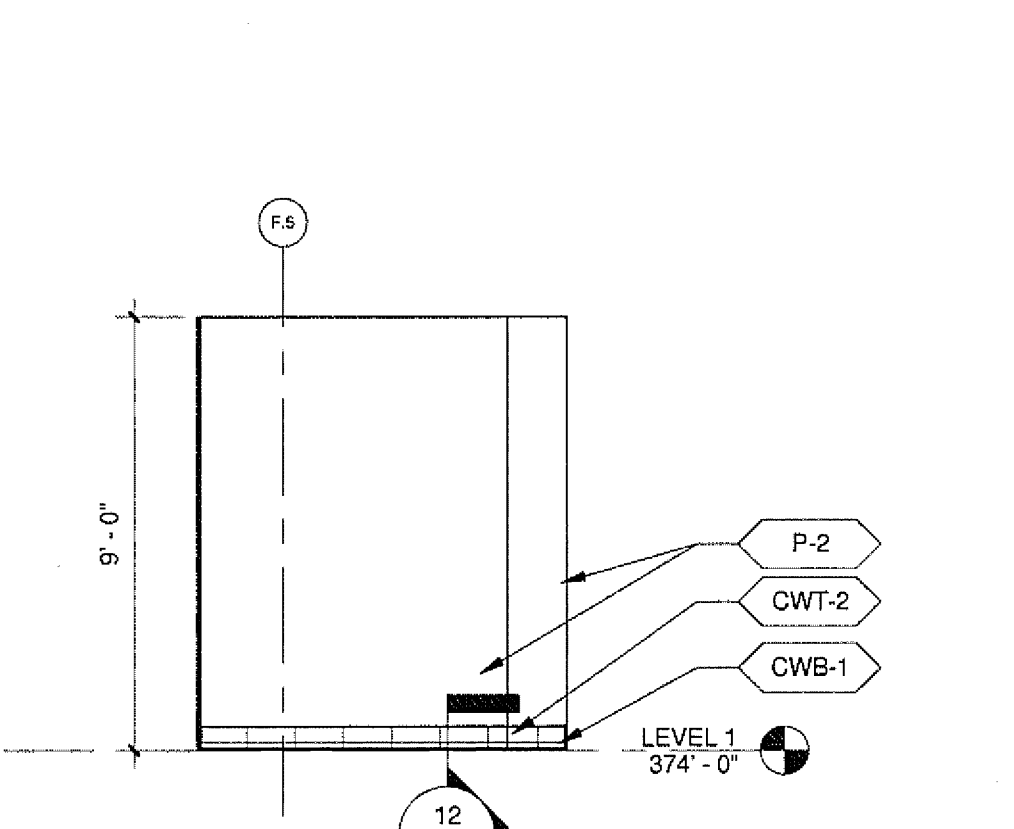
3 WOMEN RM 1015 - SOUTH
A2701 | A8202 1/4" = 1'-0"



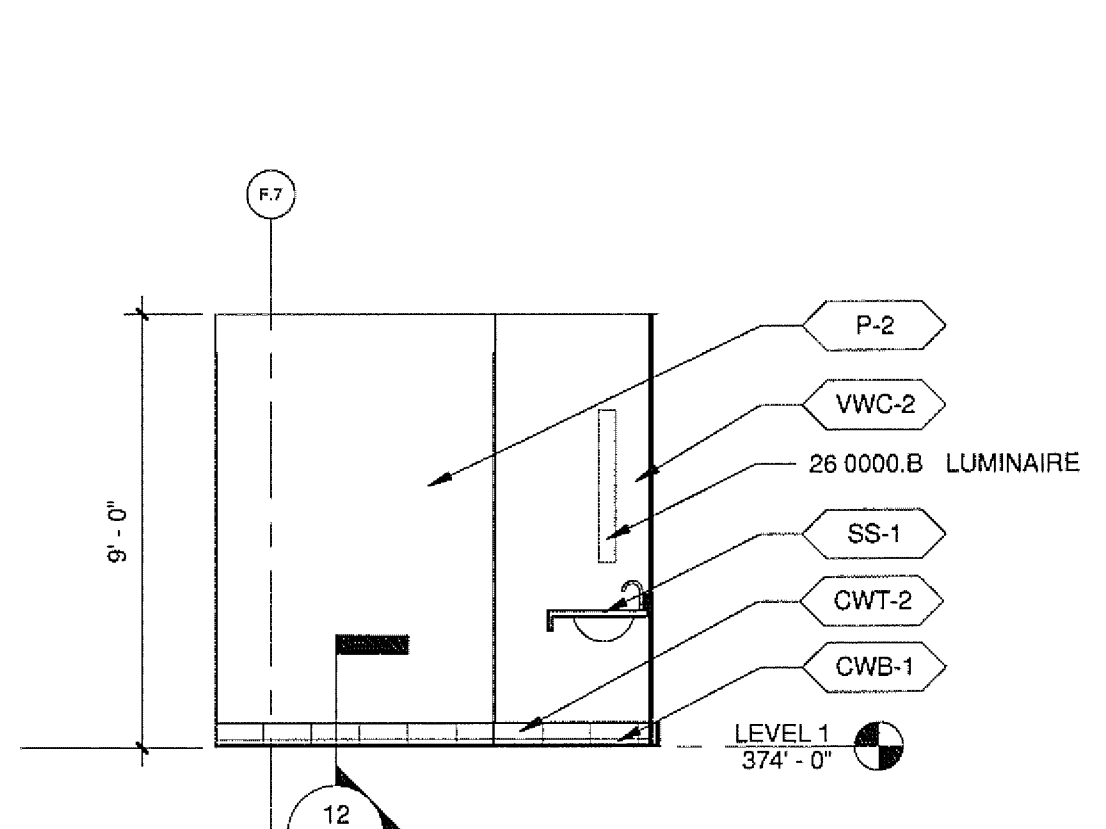
17 SHOWER RM 1019 - NORTH
A2701 | A8202 1/4" = 1'-0"



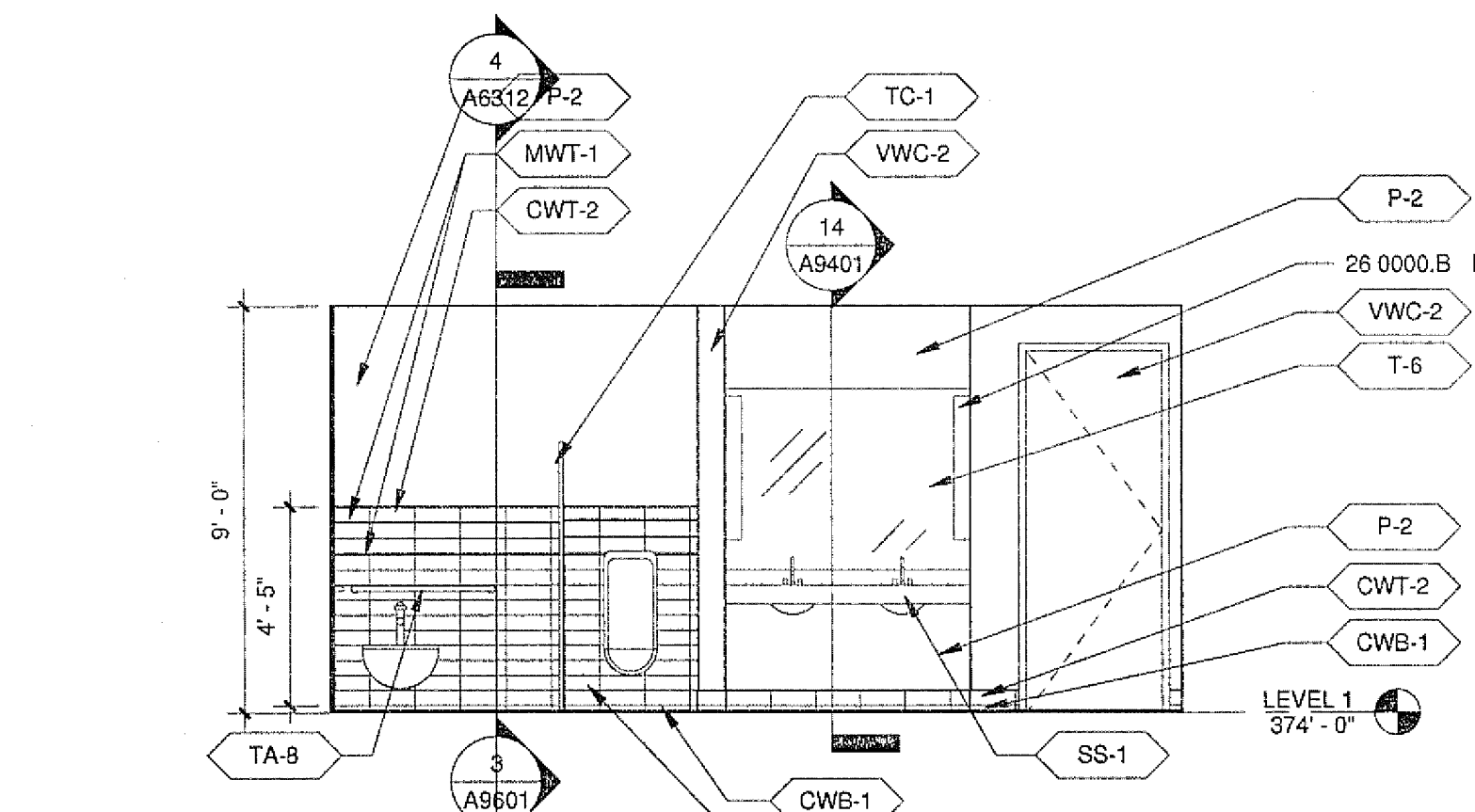
12 SHOWER RM 1017 - WEST
A2701 | A8202 1/4" = 1'-0"



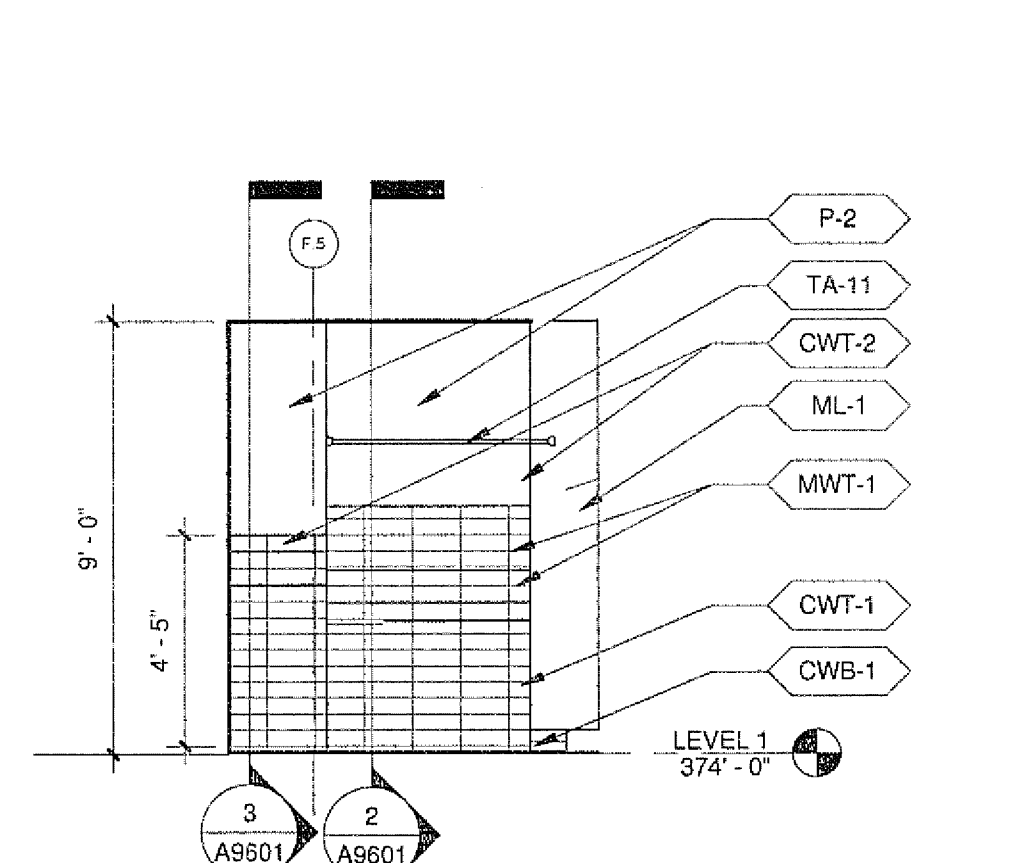
7 LAC 1016 - SOUTH
A2701 | A8202 1/4" = 1'-0"



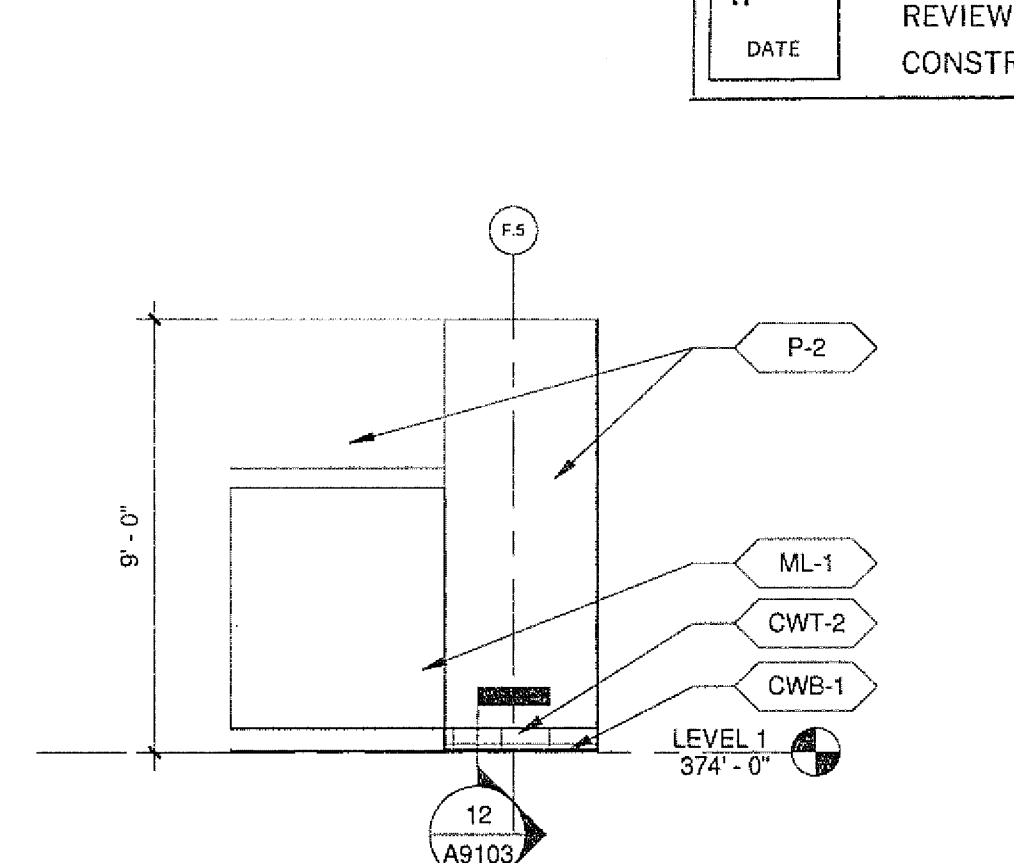
2 WOMEN RM 1015 - NORTH
A2701 | A8202 1/4" = 1'-0"



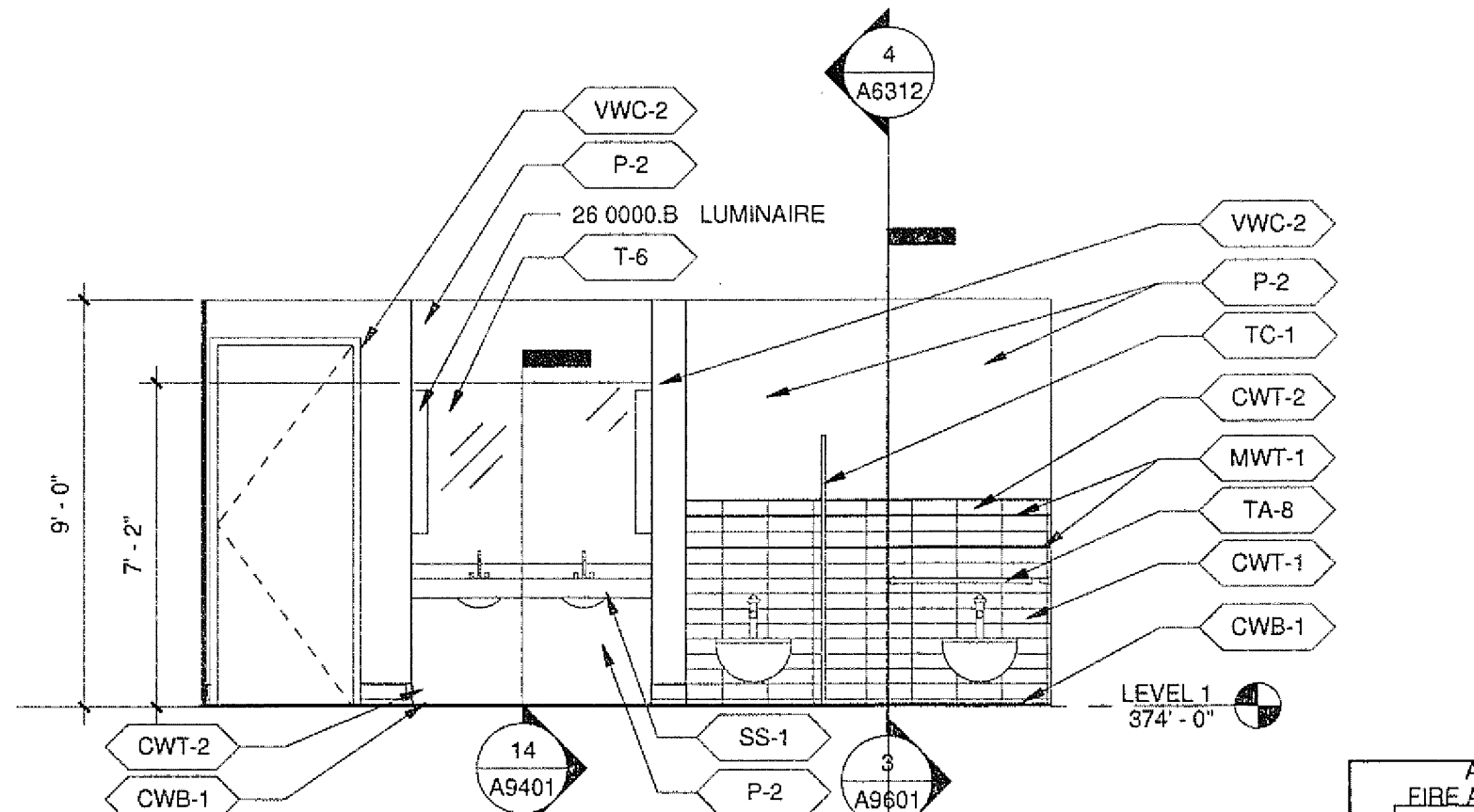
16 MEN RM 1018 - WEST
A2701 | A8202 1/4" = 1'-0"



11 SHOWER RM 1017 - SOUTH
A2701 | A8202 1/4" = 1'-0"



6 LAC 1016 - NORTH
A2701 | A8202 1/4" = 1'-0"



1 WOMEN RM 1015 - EAST
A2701 | A8202 1/4" = 1'-0"

U.C.S.D.	
PRELIMINARY DRAWINGS	<input type="checkbox"/>
PROGRESS DRAWINGS	<input type="checkbox"/>
REVIEW DRAWINGS	<input type="checkbox"/>
CONSTRUCTION DRAWINGS	<input checked="" type="checkbox"/>

APPROVED
FIRE AND MECHANICAL
04-15-2010
STATE FIRE MARSHAL
CONSTRUCTION SERVICES

C:\Projects\1015\1015_01.dwg
 C:\Program Files\Autodesk\AutoCAD 2010\AutoCAD.exe

Warning: It is a violation of the law for any person, unless acting under the direction of a licensed architect, to alter in any way, if an item in this document is altered, the altering architect, if other than the architect of record, shall affix the item his seal and the notation "altered by" followed by his signature and the date of such alteration, and the specific description of the alteration.