

**A1** WOOD SLAT SCREEN DETAIL  
1-1/2" = 1'-0"

**B1** WOOD SLAT SCREEN DETAIL  
1-1/2" = 1'-0"

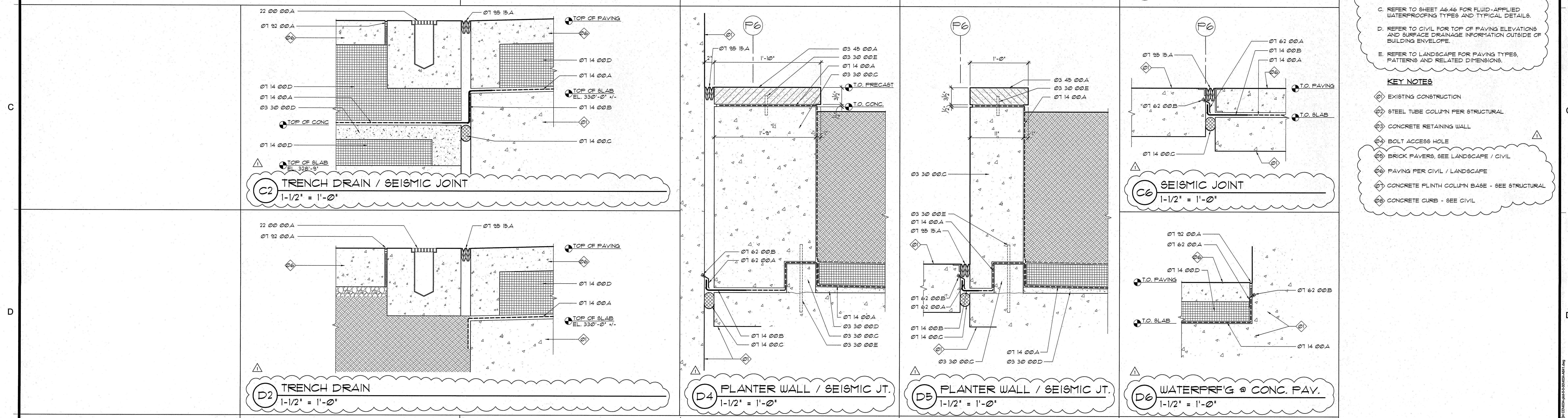
**B3** STEEL GUARD @ CONC. WALL  
1-1/2" = 1'-0"

**B4** STEEL GUARD @ CONC. WALL  
1-1/2" = 1'-0"

**B5** STEEL GUARD @ CONC. WALL  
1-1/2" = 1'-0"

**B6** STEEL GUARD @ CONC. WALL  
1-1/2" = 1'-0"

- MATERIAL LEGEND**
- Division 03 Concrete**
- 03 30 00A CAST IN PLACE CONCRETE CAP TO MATCH PROFILE OF EXISTING PRECAST
  - B ANCHOR BOLT
  - C CAST IN PLACE CONCRETE
  - D CONCRETE TOPPING SLAB
  - E STEEL DOUCEL
  - 03 45 00A ARCHITECTURAL PRECAST CONCRETE
- Division 05 Metals**
- 05 12 13A L75x25 STEEL ANGLE
  - B H66 4x4 STEEL TUBE
  - C STEEL BASE PLATE
  - D STEEL PLATE "U" BRACKET
  - E S725 STEEL TEE
  - 05 12 13C STAINLESS STEEL CABLE RAIL
- Division 06 Wood & Plastics**
- 06 40 00A 1x4 WOOD SLAT - 1PE
  - B STAINLESS STEEL FASTENER FLUSH BOTH SIDES
- Division 07 Thermal & Moisture Protection**
- 07 14 00A HOT FLUID-APPLIED WATERPROOFING AS SCHEDULED
  - B SEISMIC / EXPANSION JOINT
  - C COMPRESSED JOINT FILLER
  - D RIGID INSULATION, TAPERED & FLAT AS REQ'D FOR ELEVATION
  - E TERMINATION BAR
  - 07 62 00A STAINLESS STEEL FLASHING
  - B SAW-CUT REGLET
  - 07 92 00A BACKER ROD & SEALANT
  - 07 95 15A SEISMIC JOINT COVER - C/S GROUP HB-200
- Division 22 Mechanical**
- 22 00 00A TRENCH DRAIN
  - B DOWNSPOUT PER MECHANICAL
- GENERAL NOTES**
- MATERIAL LEGEND CON DOC REFERENCES APPLY TO THIS DRAWING SHEET ONLY.
  - REFER TO SHEETS A212, A232, A223, A233 & A212 FOR LOCATION AND EXTENT OF FLUID-APPLIED WATERPROOFING TYPES.
  - REFER TO SHEET A646 FOR FLUID-APPLIED WATERPROOFING TYPES AND TYPICAL DETAILS.
  - REFER TO CIVIL FOR TOP OF PAVING ELEVATIONS AND SURFACE DRAINAGE INFORMATION OUTSIDE OF BUILDING ENVELOPE.
  - REFER TO LANDSCAPE FOR PAVING TYPES, PATTERNS AND RELATED DIMENSIONS.
- KEY NOTES**
- EXISTING CONSTRUCTION
  - STEEL TUBE COLUMN PER STRUCTURAL
  - CONCRETE RETAINING WALL
  - BOLT ACCESS HOLE
  - BRICK PAVERS, SEE LANDSCAPE / CIVIL
  - PAVING PER CIVIL / LANDSCAPE
  - CONCRETE PLINTH COLUMN BASE - SEE STRUCTURAL
  - CONCRETE CURB - SEE CIVIL



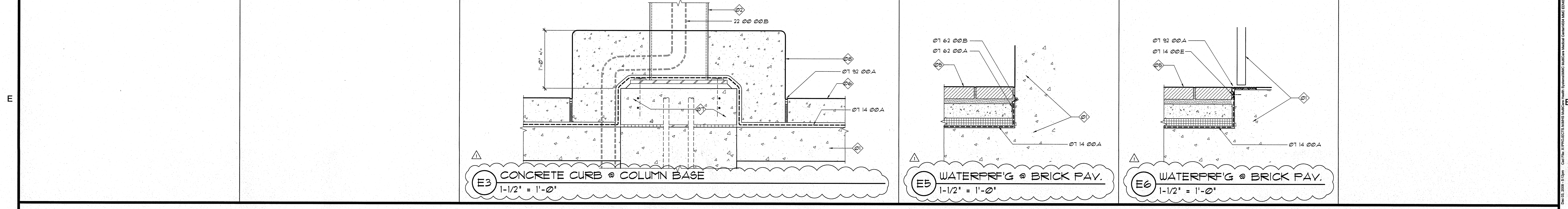
**C2** TRENCH DRAIN / SEISMIC JOINT  
1-1/2" = 1'-0"

**D2** TRENCH DRAIN  
1-1/2" = 1'-0"

**D4** PLANTER WALL / SEISMIC JT.  
1-1/2" = 1'-0"

**D5** PLANTER WALL / SEISMIC JT.  
1-1/2" = 1'-0"

**D6** WATERPRF'G @ CONC. PAV.  
1-1/2" = 1'-0"



**E3** CONCRETE CURB @ COLUMN BASE  
1-1/2" = 1'-0"

**E5** WATERPRF'G @ BRICK PAV.  
1-1/2" = 1'-0"

**E6** WATERPRF'G @ BRICK PAV.  
1-1/2" = 1'-0"