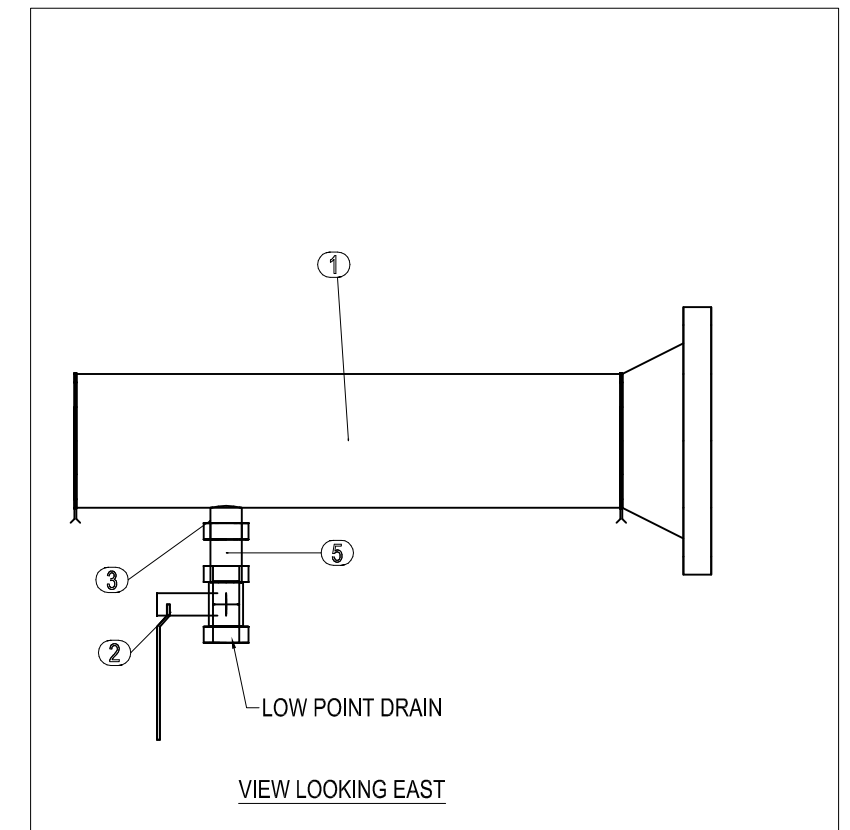
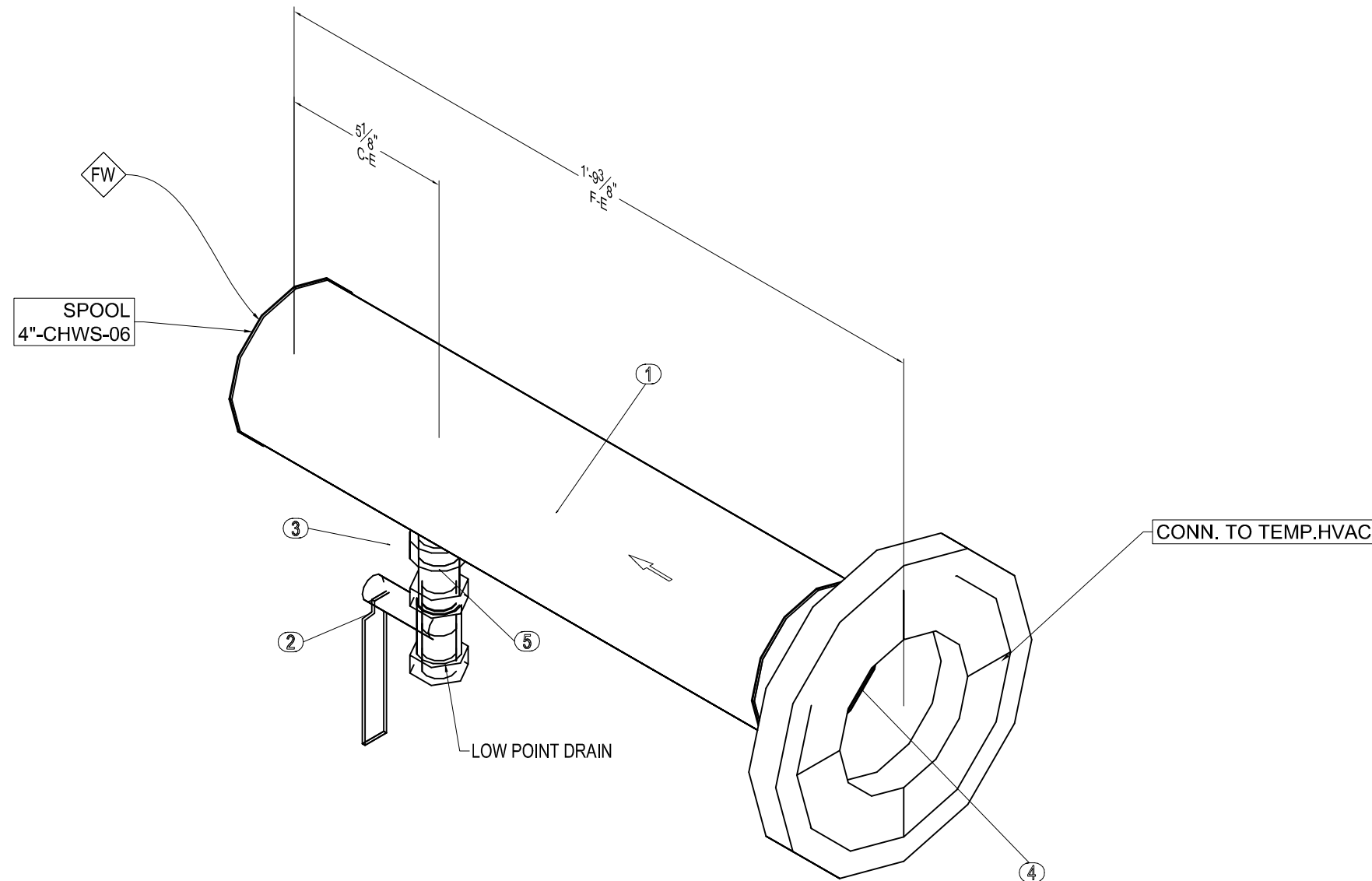


MP Bill of Material

No.	Qty	Size	Length	Item	Service
1	1	4	1'-6 5/16"	Sch 40 A-53 Blk Pipe	CHWS
2	1	3/4		Milwaukee Ball Valve BA-400	CHWS
3	1	3/4x4		Figure Full Anvilet (Thread O Let)	CHWS
4	1	4		150# Flat Face Weld Neck Flange	CHWS
5	1	3/4x2		Sch 40 Blk Stl Nipple	CHWS

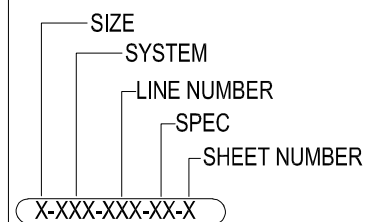
LINEAR FEET OF PIPE = 1'-6 1/4"



This document and the design it covers are the property of Murray Co. They are loaned only with the borrower's expressed written agreement that they will not be reproduced, copied, loaned, exhibited, or used in any other way, except by written consent from Murray Co. to the borrower.

FIELD SUPERVISOR APPROVAL STAMP

SYMBOL LEGEND



- FLOW ARROW
- FW WELD BOX (FIELD)
- SW WELD BOX (SHOP)
- XX
XXX INSTRUMENT TAG NO.
- ## MAT'L LIST & CUT LIST
- SLOPE DIR.



CORPORATE: 18414 SOUTH SANTA FE AVE., RANCHO DOMINGUEZ, CA 90221
 NCA BRANCH: 2090 FARALLON DR., SAN LEANDRO, CA 94577
 NEWBURY PARK: 3541 OLD CONEJO ROAD #119, NEWBURY PARK, CA 91320
 SAN DIEGO: 8520 PRODUCTION AVE., SAN DIEGO, CA 92121

REF. PLAN: MP-411 SPOOL MAP

P&ID:

DRAWING NUMBER: 4-CHWS-07