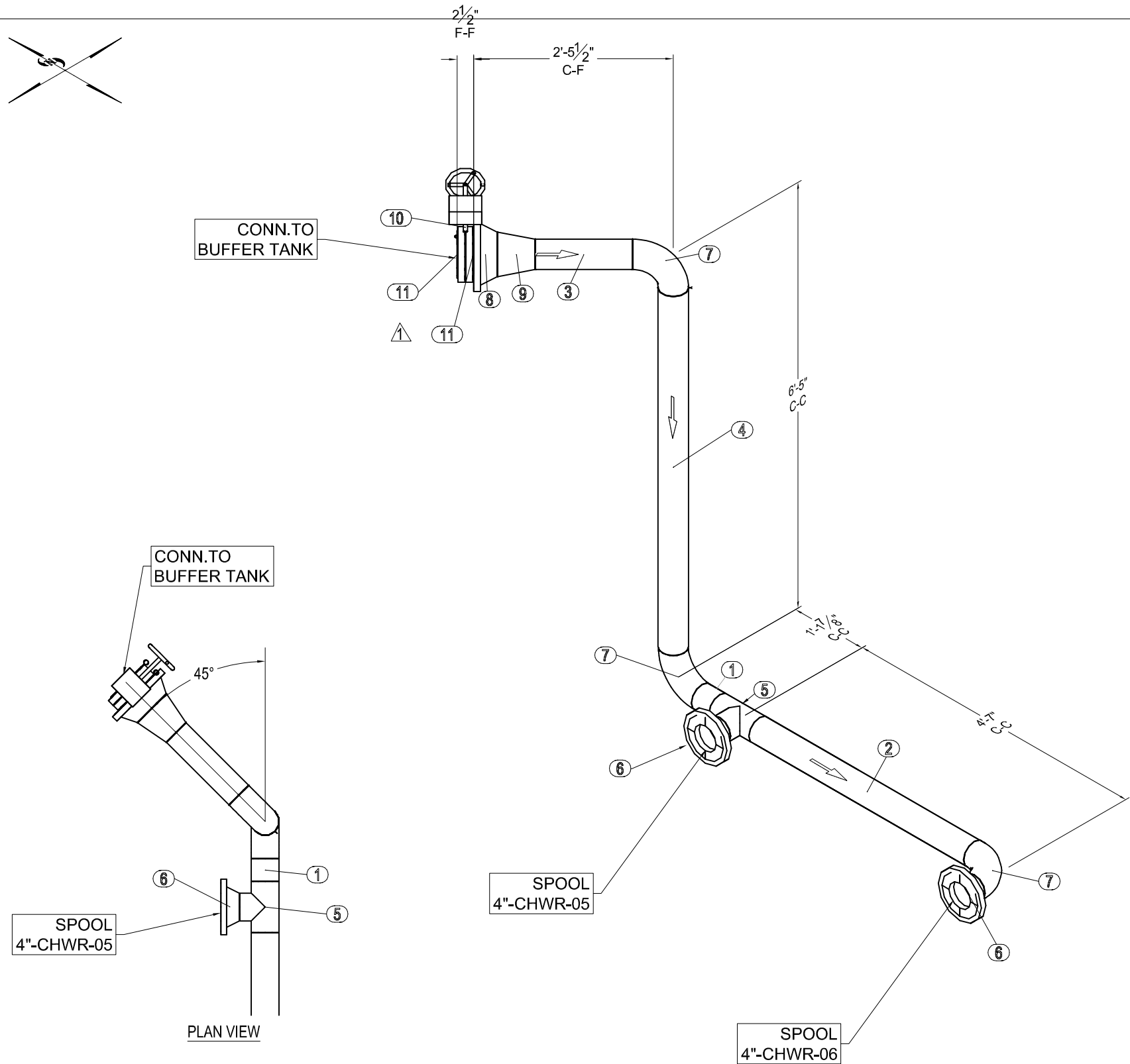


This document and the design it covers are the property of Murray Co. They are loaned only with the borrower's expressed written agreement that they will not be reproduced, copied, loaned, exhibited, or used in any other way, except by written consent from Murray Co. to the borrower.

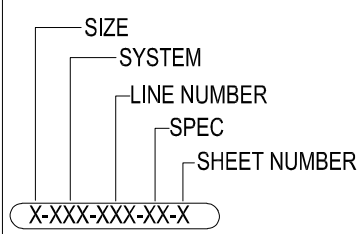


MP Bill of Material					
No.	Qty	Size	Length	Item	Service
1	1	4	3 5/8"	Sch 40 A-53 Blk Pipe	CHWR
2	1	4	3'-8 3/4"	Sch 40 A-53 Blk Pipe	CHWR
3	1	4	1'-2 5/16"	Sch 40 A-53 Blk Pipe	CHWR
4	1	4	5'-4 7/8"	Sch 40 A-53 Blk Pipe	CHWR
5	1	4		Straight Tee	CHWR
6	2	4		150# Raised Face Weld Neck Flange	CHWR
7	3	4		Long Radius 90	CHWR
8	1	6		150# Raised Face Weld Neck Flange	CHWR
9	1	6x4		Concentric Reducer	CHWR
10	1	6		Milwaukee BFV ML33 2-12in	CHWR
11	2	6		150 # Ring Gasket	CHWR

LINEAR FEET OF PIPE = 10'-7 1/2"

FIELD SUPERVISOR APPROVAL STAMP

SYMBOL LEGEND



- FLOW ARROW
- INSTRUMENT TAG NO.
- MAT'L LIST & CUT LIST
- WELD BOX (FIELD)
- WELD BOX (SHOP)
- SLOPE DIR.



CORPORATE: 18414 SOUTH SANTA FE AVE., RANCHO DOMINGUEZ, CA 90221
 INCA BRANCH: 2090 FARALLON DR., SAN LEANDRO, CA 94577
 NEWBURY PARK: 3541 OLD CONEJO ROAD #119, NEWBURY PARK, CA 91320
 SAN DIEGO: 8520 PRODUCTION AVE., SAN DIEGO, CA 92121

REF. PLAN: MP-411 SPOOL MAP

P&ID:

DRAWING NUMBER: 4-CHWR-07