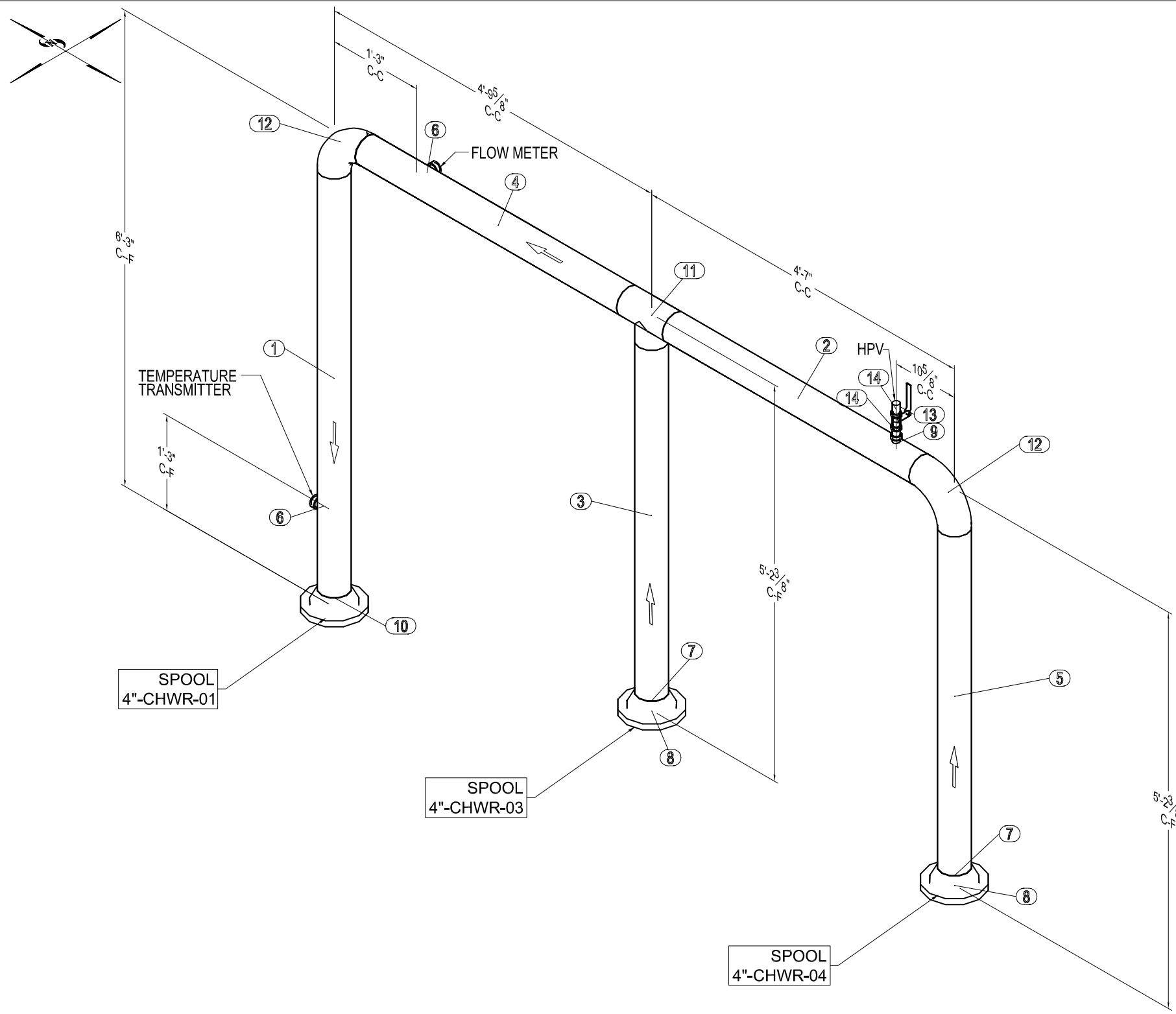


This document and the design it covers are the property of Murray Co. They are loaned only with the borrower's expressed written agreement that they will not be reproduced, copied, loaned, exhibited, or used in any other way, except by written consent from Murray Co. to the borrower.



MP Bill of Material					
No.	Qty	Size	Length	Item	Service
1	1	4	5'-5 15/16"	Sch 40 A-53 Blk Pipe	CHWR
2	1	4	3'-8 3/4"	Sch 40 A-53 Blk Pipe	CHWR
3	1	4	4'-7 3/16"	Sch 40 A-53 Blk Pipe	CHWR
4	1	4	3'-11 3/8"	Sch 40 A-53 Blk Pipe	CHWR
5	1	4	4'-5 5/16"	Sch 40 A-53 Blk Pipe	CHWR
6	2	1x4		Figure Full Anvilet (Thread O Let)	CHWR
7	2	4		150# Flat Face Weld Neck Flange	CHWR
8	2	4		150 # Full Face Gasket	CHWR
9	1	3/4x4		Figure Full Anvilet (Thread O Let)	CHWR
10	1	4		150# Raised Face Weld Neck Flange	CHWR
11	1	4		Straight Tee	CHWR
12	2	4		Long Radius 90	CHWR
13	1	3/4		Milwaukee Ball Valve BA-400	CHWR
14	2	3/4x2		Sch 40 Blk Stl Nipple	CHWR

LINEAR FEET OF PIPE = 22'-2 5/8"

FIELD SUPERVISOR APPROVAL STAMP

SYMBOL LEGEND

<p>SIZE SYSTEM LINE NUMBER SPEC SHEET NUMBER</p> <p>X-XXX-XXX-XX-X</p>	<p>⚡ FLOW ARROW</p> <p>XX xxx INSTRUMENT TAG NO.</p> <p># MAT'L LIST & CUT LIST</p>	<p>FW WELD BOX (FIELD)</p> <p>SW WELD BOX (SHOP)</p> <p>▴ SLOPE DIR.</p>
--	---	--



CORPORATE: 18414 SOUTH SANTA FE AVE., RANCHO DOMINGUEZ, CA 90221
 NCA BRANCH: 2090 FARALLON DR., SAN LEANDRO, CA 94577
 NEWBURY PARK: 3541 OLD CONEJO ROAD #119, NEWBURY PARK, CA 91320
 SAN DIEGO: 8520 PRODUCTION AVE., SAN DIEGO, CA 92121

REF.PLAN: MP-411 SPOOL MAP

P&ID:

DRAWING NUMBER: 4-CHWR-02