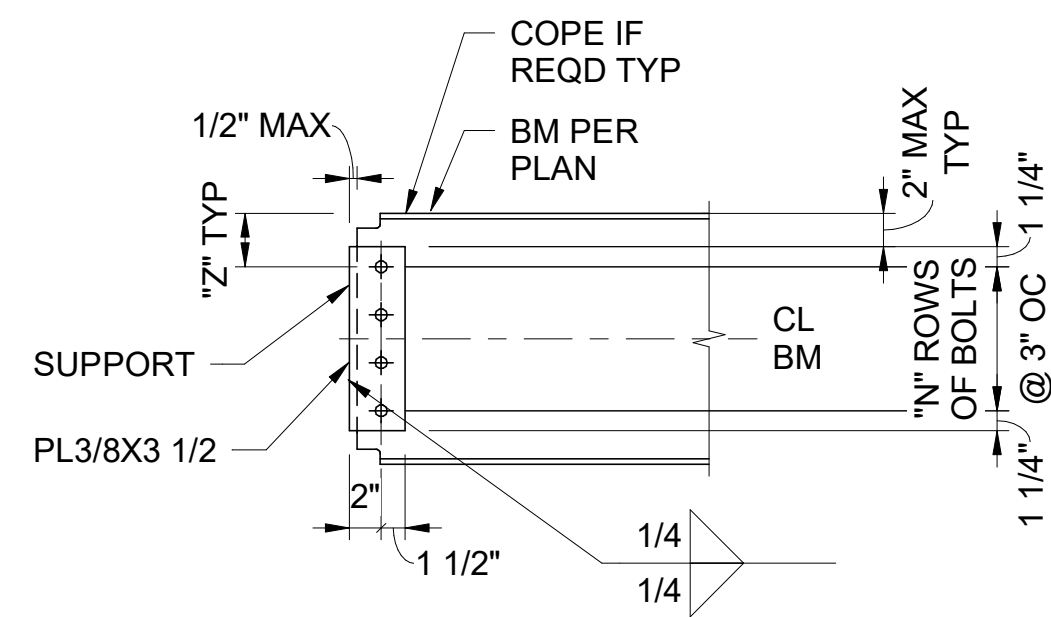
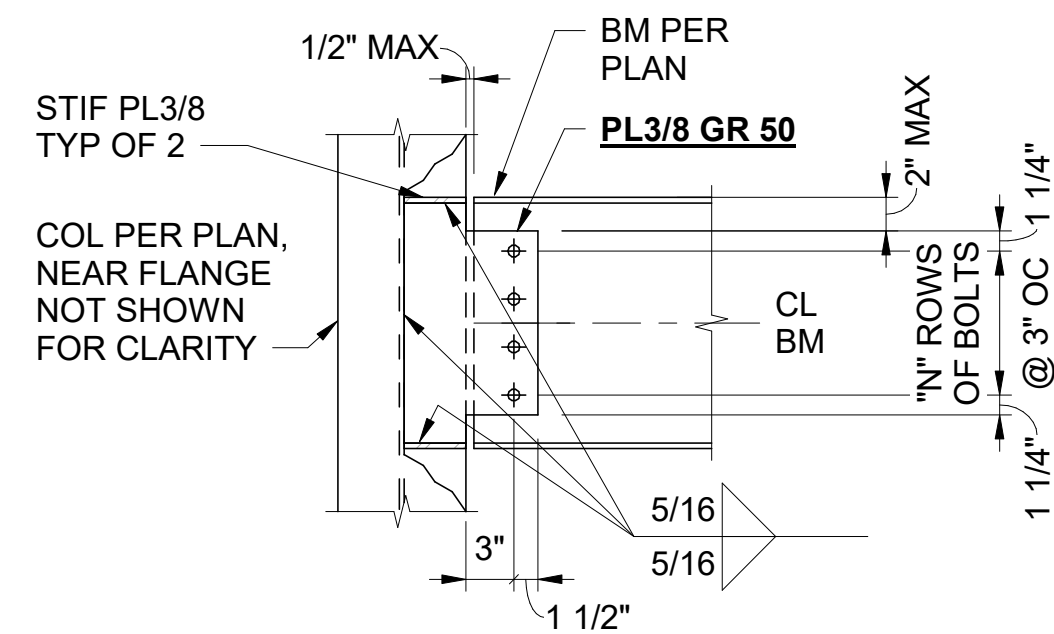


TYPICAL CONNECTION



TYPICAL CONNECTION



EXTENDED PLATE CONNECTION/STANDARD CONNECTION AT COLUMN WEB

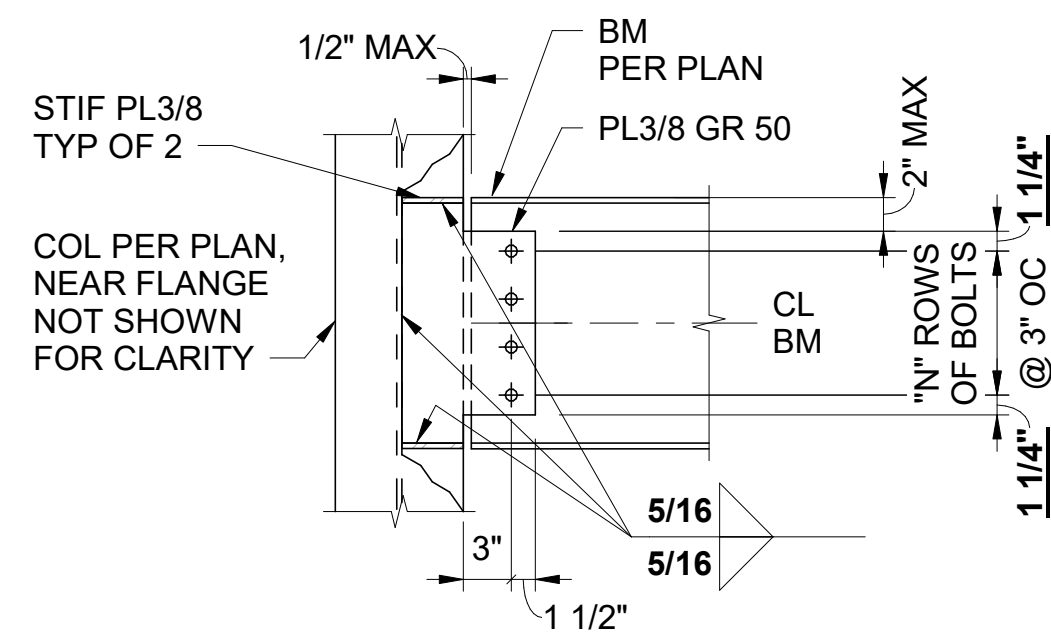
MEMBER SIZE	"N" UNO
W30, W33	7
W27, W24	6
W21	5
W16, W18	4
W12, W14	3
W8, W10	2

NOTES:

- STANDARD CONNECTIONS ABOVE SHALL USE 3/4" DIA A325-PT-STD BOLTS.
- USE WHERE CONNECTION IS NOT OTHERWISE INDICATED ON PLANS, NOTES, ELEVATIONS, SECTIONS, OR DETAILS.
- "Z": 2" MIN FOR STANDARD HOLES (1 1/4" MIN FOR BEAMS LESS THAN A W12).
2 1/4" MIN FOR OVS AND SSLT HOLES (1 3/8" MIN FOR BEAMS LESS THAN A W12).

STANDARD SINGLE PLATE BEAM CONNECTION

F1 TYPICAL BEAM CONNECTION-SINGLE PLATE
S-502 SCALE: 1" = 1'-0"



EXTENDED PLATE CONNECTION CONNECTION AT COLUMN WEB

NOTES:

- SPECIAL CONNECTION SYMBOL AS NOTED ON PLANS.

THE LETTER INDICATES THE CONNECTION DESIGNATION PER THE SPECIAL CONNECTION SCHEDULE

- "Z": 2" MIN FOR STANDARD HOLES (1 1/4" MIN FOR BEAMS LESS THAN A W12).
2 1/4" MIN FOR OVS AND SSLT HOLES (1 3/8" MIN FOR BEAMS LESS THAN A W12).

SPECIAL SINGLE PLATE BEAM CONNECTION

F3 SPECIAL BEAM CONNECTION-SINGLE PLATE
S-502 SCALE: 1" = 1'-0"

Sheet Title
STANDARD STEEL DETAILS

Dwg. No.
PLS2021-0432-0011D

Sht. No.
S-502