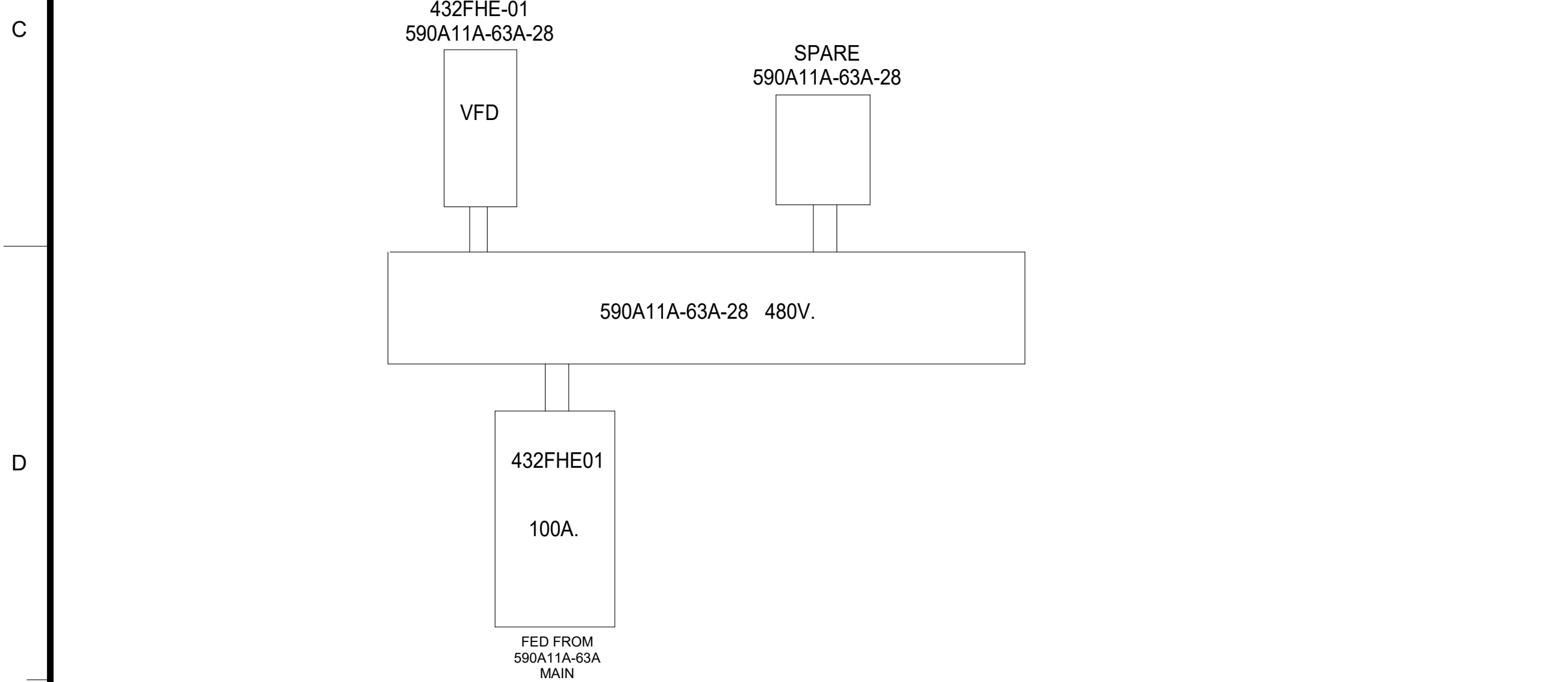
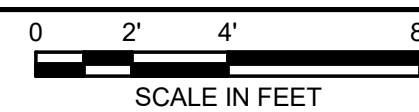


C1 ENLARGED NEW WORK PLAN - SOUTH BUILDING EXTERIOR

E-401

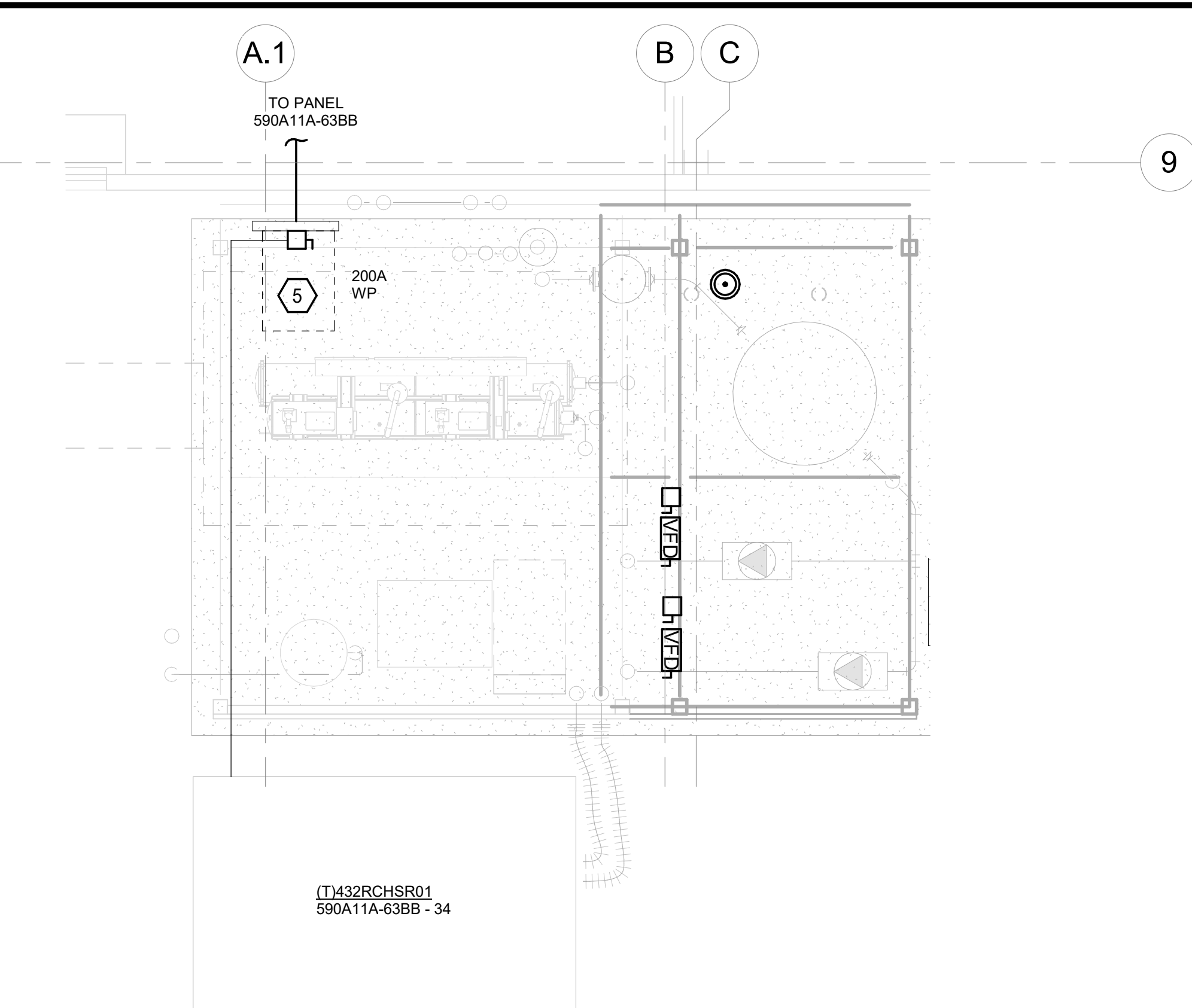
SCALE: 1/4" = 1'-0"



E1 590A11A-63A-28 NEW WORK ELEVATION

E-401

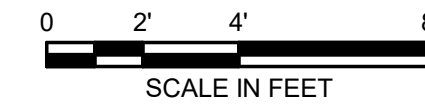
SCALE: NO SCALE SHOWN



C4 ENLARGED NEW WORK PLAN - TEMPORARY CHILLER

E-401

SCALE: 1/4" = 1'-0"



GENERAL NOTES

1. FOR GENERAL NOTES, SYMBOLS, AND ABBREVIATIONS, REFER TO SHEET E-001.
2. UNLESS OTHERWISE NOTED, LIGHT LINEWEIGHT INDICATES EXISTING EQUIPMENT TO REMAIN AND HEAVY LINEWEIGHT INDICATES NEW WORK.
3. SUBCONTRACTORS MUST FIELD VERIFY LOCATION OF EXISTING EQUIPMENT AND EQUIPMENT TO BE DISCONNECTED AND REMOVED.
4. SUBCONTRACTOR MUST FIELD VERIFY CIRCUITS INDICATED AND LOADS SERVED BY THEM.
5. SUBCONTRACTORS MUST WORK CLOSELY WITH MECHANICAL SUBCONTRACTOR TO VERIFY PHASING OF DEMOLITION. THIS IS TO AVOID ANY UNNECESSARY OR UNPLANNED OUTAGES FOR EQUIPMENT OR THE FACILITY.
6. SUBCONTRACTOR MUST REFER TO DIVISION 1 SPECIFICATIONS FOR CONSTRUCTION SEQUENCING AND PHASING.
7. REFER TO SHEETS E-801 AND E-802 FOR ADDITIONAL WORK AT ELECTRICAL PANELS.
8. IT HAS BEEN FIELD VERIFIED THAT THERE ARE EXISTING MAINTENANCE RECEPTACLES WITHIN 25' OF MECHANICAL EQUIPMENT.
9. SUBCONTRACTOR MUST VERIFY THAT NEW ELECTRICAL EQUIPMENT HAVE PROPER WORKING CLEARANCE PRIOR TO INSTALLATION.
10. ALL NEW CONDUITS MUST BE PAINTED TO MATCH EXISTING IN AREA.
11. ALL CONDUCTORS FROM VFD TO MOTOR MUST BE SYMMETRICAL SHIELDED VFD CABLE TYPE INSTALLED IN CONDUIT.
12. LFMC CONNECTIONS CAN ONLY BE 6' MAX IN LENGTH AND MUST BE SECURED AND SUPPORTED WITHIN 12" OF TERMINATIONS AND NO MORE THAN 4'-6" OTHERWISE.
13. VERIFY EXISTING CONDITIONS MEET NEC STANDARDS.

KEYED NOTES

1. 120V/24V TRANSFORMER FOR MECHANICAL CONTROLS. PROVIDE FUNCTIONAL DEVICES #PSH500AB10-LVC OR APPROVED EQUAL. PROVIDE ADDITIONAL NEMA 3R ENCLOSURE TO SURROUND THE NEMA 1 ENCLOSURE.
2. PROVIDE A LOCKABLE TOGGLE SWITCH FOR 120V/24V TRANSFORMER.
3. INSTALL DISCONNECT AND VFD ON UNISTRUT STAND. PROVIDE AUXILIARY CONTACTS IN VFD DISCONNECTS. REFER TO STRUCTURAL DETAIL SHEETS FOR ADDITIONAL INFORMATION.
4. INSTALL DISCONNECT ON NEW UNISTRUT STAND. REFER TO STRUCTURAL SHEETS FOR ADDITIONAL INFORMATION.
5. DISCONNECT MUST FEED TEMPORARY CHILLER DURING CONSTRUCTION. REUSE DISCONNECT TO FEED PERMANENT CHILLER UPON REMOVAL OF TEMPORARY CHILLER. EXTEND CONDUCTORS TO NEW CHILLER LOCALITON.
6. EXISTING GROUND WELL TO BE RAISED TO BE ACCESSABLE FROM NEW PAD. VERIFY REMOVABLE CLAMPS WILL REMAIN ACCESSIBLE AND REMOVABLE.
7. PROVIDE CONDUIT AND CABLING FOR 120V CONNECTION FROM CHILLER CONTROL POWER TRANSFORMER TO FIELD INSTALLED CONDENSER CONTROL VALVE.

ELECTRICAL MECHANICAL NEW WORK SCHEDULE

EQUIPMENT NAME	LOCATION	Phase	VOLTAGE	MCA / LOAD	OCPD	PANEL	CIRCUIT	FEEDER	DISCONNECT SIZE	DISCONNECT RATING	REMARKS
(T)432RCHSR01	S. BUILDING EXTERIOR	3	480 V	179 A	200	590A11A-63BB	34	(3) #250, #6G, 2 1/2" C	200A NONFUSIBLE	NEMA 3R	PROVIDE PADLOCKABLE, HEAVY DUTY DISCONNECT SWITCH.
432ACHPS01-4	E. BUILDING EXTERIOR	3	480 V	54 A	60	(N) 590A11B	4	(3) #6, #10G, 1" C	60A NONFUSIBLE	NEMA 3R	PROVIDE PADLOCKABLE, HEAVY DUTY DISCONNECT SWITCH.
432ACHPS02-5	E. BUILDING EXTERIOR	3	480 V	52 A	60	(N) 590A11B	3	(3) #6, #10G, 1" C	60A NONFUSIBLE	NEMA 3R	PROVIDE PADLOCKABLE, HEAVY DUTY DISCONNECT SWITCH.
432ACU01-A1 CIRCUIT 1	W. BUILDING EXTERIOR	3	480 V	20 A	25	590A11A-63A-45	4	(3) #10, #10G, 3/4" C	30A NONFUSIBLE	NEMA 3R	PROVIDE PADLOCKABLE, HEAVY DUTY DISCONNECT SWITCH.
432ACU01-A1 CIRCUIT 2	W. BUILDING EXTERIOR	3	480 V	60 A	70	(N) 590A11B	21	(3) #3, #6G, 1"	100A NONFUSIBLE	NEMA 3R	PROVIDE PADLOCKABLE, HEAVY DUTY DISCONNECT SWITCH.
432ACU08-2H	RM 2007	1	208 V	1 A	20	POWERED BY 432RCU01-2H		(2) #12, #12G, 3/4" C	30A NONFUSIBLE	NEMA 1	SINGLE POINT POWER CONNECTION WITH 432RCUA02-3H. PROVIDE PADLOCKABLE, HEAVY DUTY DISCONNECT SWITCH.
432ACU9-3H	RM 2005	1	208 V	1 A	20	POWERED BY 432RCU02-3H		(2) #12, #12G, 3/4" C	30A NONFUSIBLE	NEMA 1	SINGLE POINT POWER CONNECTION WITH 432RCUA02-3H. PROVIDE PADLOCKABLE, HEAVY DUTY DISCONNECT SWITCH.
432HEA01-A1	RM 1200	3	480 V	25 A	35	590A11A-63A-39	15	(3) #10, #10G, 3/4"	60A NONFUSIBLE	NEMA 1	PROVIDE PADLOCKABLE, HEAVY DUTY DISCONNECT SWITCH.
432HEA02-4	E. BUILDING EXTERIOR	3	480 V	13 A	30	590A11B-16	28	(3) #12, #12G, 3/4"	30A NONFUSIBLE	NEMA 3R	PROVIDE PADLOCKABLE, HEAVY DUTY DISCONNECT SWITCH.
432HEA03-5	E. BUILDING EXTERIOR	3	480 V	13 A	30	590A11A-63A-39	28	(3) #12, #12G, 3/4"	30A NONFUSIBLE	NEMA 3R	PROVIDE PADLOCKABLE, HEAVY DUTY DISCONNECT SWITCH.
432PCHW01-1	S. BUILDING EXTERIOR	3	480 V	21 A	30	590A11A-63BB	28	(3) #10, #10G, 1" C	30A NONFUSIBLE	NEMA 3R	VFD SHALL BE ABB ACH550 WITH ELECTRONIC BYPASS. PROVIDE PADLOCKABLE, HEAVY DUTY DISCONNECT SWITCH.
432PCHW02-1	S. BUILDING EXTERIOR	3	480 V	21 A	30	590A11A-63BB	22	(3) #10, #10G, 1" C	30A NONFUSIBLE	NEMA 3R	VFD SHALL BE ABB ACH550 WITH ELECTRONIC BYPASS. PROVIDE PADLOCKABLE, HEAVY DUTY DISCONNECT SWITCH.
432RCHS01-1	S. BUILDING EXTERIOR	3	480 V	108 A	150	590A11A-63BB	34	(3) #2/0, #6G, 2" C	200A NONFUSIBLE	NEMA 3R	PROVIDE PADLOCKABLE, HEAVY DUTY DISCONNECT SWITCH.
432RCUA01-2H	E. BUILDING EXTERIOR	1	208 V	19 A	20	799A47	19	(2) #10, #10G, 3/4" C	30A NONFUSIBLE	NEMA 3R	PROVIDE 2-POLE PADLOCKABLE, NEMA 3R, MOTOR_RATED TOGGLE SWITCH. HUBBELL CIRCUIT-LOCK OR APPROVED EQUAL.
432RCUA02-3H	E. BUILDING EXTERIOR	1	208 V	11 A	20	799A47	28	(2) #10, #10G, 3/4" C	30A NONFUSIBLE	NEMA 3R	PROVIDE 2-POLE PADLOCKABLE, NEMA 3R, MOTOR_RATED TOGGLE SWITCH. HUBBELL CIRCUIT-LOCK OR APPROVED EQUAL.

LOAD AND MOCPP PER MECHANICAL EQUIPMENT MANUFACTURER'S SPECIFICATIONS

Sheet Title
ELECTRICAL ENLARGED PLANS - NEW WORK

Dwg. No.
PLE2021-0432-0011D

Sht. No.
E-401